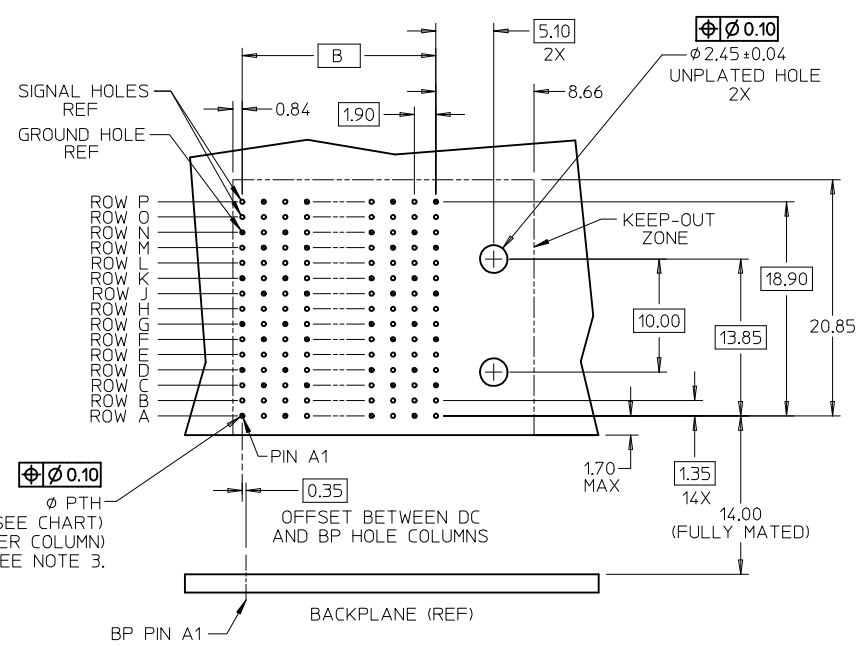


- NOTES:
1. MATERIALS: HOUSING - LIQUID CRYSTAL POLYMER (LCP), GLASS-FILLED, UL94V-0  
TERMINALS - HIGH PERFORMANCE COPPER ALLOY
  2. FINISH: 30μN MIN SELECTIVE GOLD IN CONTACT AREA, SELECTIVE TIN  
ON PCB TAILS, NICKEL OVERALL.
  3. REFER TO MOLEX PRODUCT SPEC PS-76060-999 FOR PERFORMANCE SPECIFICATIONS  
AND ADDITIONAL PCB INFORMATION.
  4. EACH SIGNAL WAFER CONTAINS 2 COLUMNS OF TERMINALS.
  5. PRODUCT IS PACKAGED PER PK-70873-611.
  6. THIS PART CONFORMS TO CLASS B REQUIREMENTS OF COSMETIC SPEC PS-45499-002.
  7. REFER TO MOLEX SALES DRAWING SD-76055-003 FOR THE MATING HEADERS.
  8. REFER TO MOLEX PCB MOUNTING GUIDE AS 76060-990 FOR ANTI PAD AND ROUTING  
RECOMMENDATIONS.
  9. PART NUMBER 76060-5120 SHOWN ON DRAWING. KEYING FEATURES WILL CHANGE  
WITH COLUMN SIZE.
  10. MINIMUM BOARD THICKNESS IS 1.00 mm FOR COMPLIANT PIN FUNCTIONALITY.
  11. WHEN USING MOLEX SUPPLIED #2-32 SCREW 73726-0000 (9.50mm ±0.38  
THREADABLE SCREW LENGTH), THE MAXIMUM BOARD THICKNESS IS 4.4mm.
  12. MARKING: LOCATED APPROXIMATELY AS SHOWN. PART NUMBER AND DATE CODE.



DAUGHTERCARD HOLE PATTERN  
(CONNECTOR SIDE)

REV	DESCRIPTION	DATE	APPR:TELO	CHKD:TELO	DRWN:VARVARA	EC NO: UCP2016-3973	ADD LASER MARK INFO
J1		2016/04/20			2015/07/28		

QUALITY SYMBOLS	GENERAL TOLERANCES (UNLESS SPECIFIED)		DIMENSION STYLE		SCALE	DESIGN UNITS	THIRD ANGLE PROJECTION
	mm	INCH	MM ONLY	DATE			
$\nabla = 0$	4 PLACES ±	---	---	JLAURX	3:1	METRIC	IMPACT 100 OHM DC 5 PAIR SIGNAL MODULE GUIDE RIGHT SALES DWG <b>molex</b> DOCUMENT NO. SD-76060-004 SHEET NO. 1 OF 2
$\nabla = 0$	3 PLACES ±	---	---	CHECKED BY	DATE		
$\nabla = 0$	2 PLACES ±	0.13	---	TELO	2008/06/12		
$\nabla = 0$	1 PLACE ±	0.25	---	APPROVED BY	DATE		
$\nabla = 0$	0 PLACE ±	---	---	JLAURX	2010/11/04		
ANGULAR ±1/2°			MATERIAL NO.		DOCUMENT NO.		
DRAFT WHERE APPLICABLE MUST REMAIN WITHIN DIMENSIONS			SEE CHART		SD-76060-004		
SIZE C THIS DRAWING CONTAINS INFORMATION THAT IS PROPRIETARY TO MOLEX INCORPORATED AND SHOULD NOT BE USED WITHOUT WRITTEN PERMISSION							

MATERIAL NUMBER	# OF COLUMNS	# OF DIFF PAIR	DIM "A" MAX	DIM "B"	PTH $\phi$
76060-***0	10	50	26.60	17.10	0,46 $\pm 0,05$
76060-***2	12	60	30.40	20.90	
76060-***4	14	70	34.20	24.70	
76060-***6	16	80	38.00	28.50	0,39 $\pm 0,05$
76060-***0	10	50	26.60	17.10	
76060-***2	12	60	30.40	20.90	
76060-***4	14	70	34.20	24.70	
76060-***6	16	80	38.00	28.50	

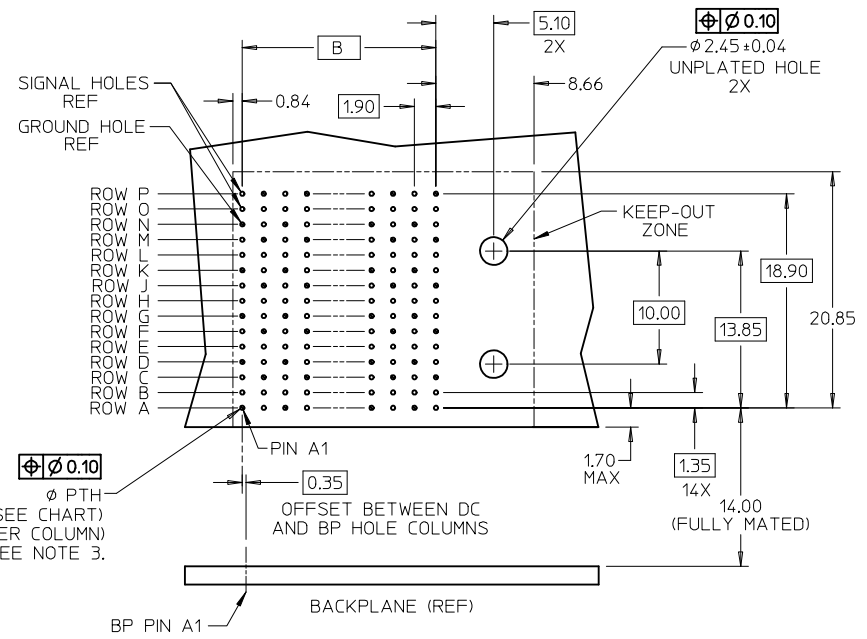
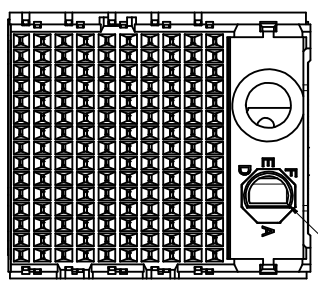
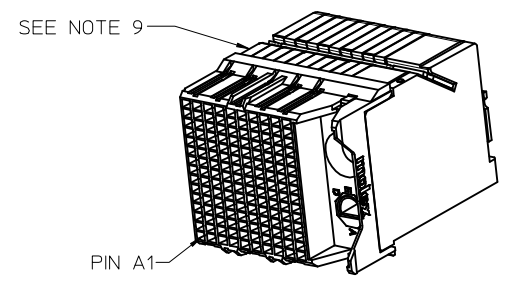
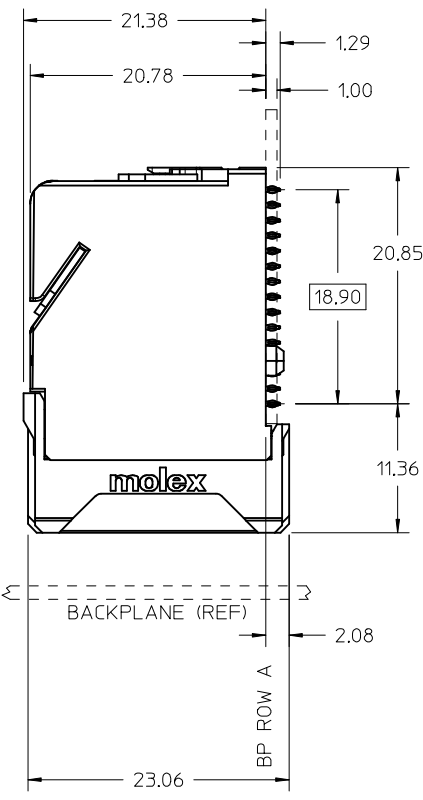
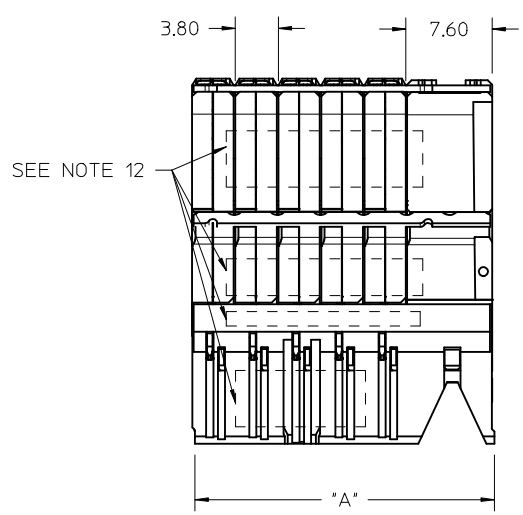
# 76060-\*\*\*\*

MODULE & TAIL PLATING TYPE  
5 = RIGHT GUIDED LEAD-FREE

POLARIZATION KEY ORIENTATION  
0 = NO KEY  
1 = A      5 = E  
2 = B      6 = F  
3 = C      7 = G  
4 = D      8 = H

# OF COLUMNS  
10 = 10 COL 0.46 PTH  
12 = 12 COL 0.46 PTH  
14 = 14 COL 0.46 PTH  
16 = 16 COL 0.46 PTH  
20 = 10 COL 0.39 PTH  
22 = 12 COL 0.39 PTH  
24 = 14 COL 0.39 PTH  
26 = 16 COL 0.39 PTH

<b>STANDARDIZATION</b> EC NO: UCP2016-3973 DRWNG: VARVARA 2015/07/28 CHKD: TELO 2016/02/22 APPR: TELO 2016/04/20	QUALITY SYMBOLS	GENERAL TOLERANCES (UNLESS SPECIFIED)	DIMENSION STYLE <b>MM ONLY</b>	SCALE <b>3:1</b>	DESIGN UNITS <b>METRIC</b>	THIRD ANGLE PROJECTION
	▽=0	4 PLACES ± --- ± ---	DRAWN BY DATE JLAURX 2008/06/12	TITLE <b>IMPACT 100 OHM DC 5 PAIR SIGNAL MODULE GUIDE RIGHT SALES DWG</b>		
	▽=0	3 PLACES ± --- ± ---	CHECKED BY DATE TELO 2008/06/12			
	▽=0	2 PLACES ± 0.13 ± ---	APPROVED BY DATE JLAURX 2010/11/04	<b>molex</b> MATERIAL NO.      DOCUMENT NO. <b>SEE CHART</b> <b>SD-76060-004</b>		
▽=0	1 PLACE ± 0.25 ± ---	0 PLACE ±      ±				
REV	DESCRIPTION	ANGULAR ±1/2°	SIZE	SHEET NO.		
J1		DRAFT WHERE APPLICABLE MUST REMAIN WITHIN DIMENSIONS	C	2 OF 2		
			THIS DRAWING CONTAINS INFORMATION THAT IS PROPRIETARY TO MOLEX INCORPORATED AND SHOULD NOT BE USED WITHOUT WRITTEN PERMISSION			



- NOTES:
1. MATERIALS: HOUSING - LIQUID CRYSTAL POLYMER (LCP), GLASS-FILLED, UL94V-0  
TERMINALS - HIGH PERFORMANCE COPPER ALLOY
  2. FINISH: 30μN MIN SELECTIVE GOLD IN CONTACT AREA, SELECTIVE TIN  
ON PCB TAILS, NICKEL OVERALL.
  3. REFER TO MOLEX PRODUCT SPEC PS-76060-999 FOR PERFORMANCE SPECIFICATIONS  
AND ADDITIONAL PCB INFORMATION.
  4. EACH SIGNAL WAFER CONTAINS 2 COLUMNS OF TERMINALS.
  5. PRODUCT IS PACKAGED PER PK-70873-611.
  6. THIS PART CONFORMS TO CLASS B REQUIREMENTS OF COSMETIC SPEC PS-45499-002.
  7. REFER TO MOLEX SALES DRAWING SD-76055-003 FOR THE MATING HEADERS.
  8. REFER TO MOLEX PCB MOUNTING GUIDE AS 76060-990 FOR ANTI PAD AND ROUTING  
RECOMMENDATIONS.
  9. PART NUMBER 76060-5120 SHOWN ON DRAWING. KEYING FEATURES WILL CHANGE  
WITH COLUMN SIZE.
  10. MINIMUM BOARD THICKNESS IS 1.00 mm FOR COMPLIANT PIN FUNCTIONALITY.
  11. WHEN USING MOLEX SUPPLIED #2-32 SCREW 73726-0000 (9.50mm ±0.38  
THREADABLE SCREW LENGTH), THE MAXIMUM BOARD THICKNESS IS 4.4mm.
  12. MARKING: LOCATED APPROXIMATELY AS SHOWN. PART NUMBER AND DATE CODE.

<b>ADD LASER MARK INFO</b> EC NO: UCP2016-3973 DRWINDVARVARA 2015/07/28 CHKD:TELO 2016/02/22 APPR:TELO 2016/04/20	QUALITY SYMBOLS ▽=0 ▽=0 ▽=0	GENERAL TOLERANCES (UNLESS SPECIFIED)		DIMENSION STYLE <b>MM ONLY</b>		SCALE <b>3:1</b>	DESIGN UNITS <b>METRIC</b>	THIRD ANGLE PROJECTION	
		mm	INCH	DRAWN BY JLAURX	DATE 2008/06/12	<b>IMPACT 100 OHM DC 5 PAIR SIGNAL MODULE GUIDE RIGHT SALES DWG</b> 			
		4 PLACES ± ---	± ---	CHECKED BY TELO	DATE 2008/06/12				
		2 PLACES ± 0.13	± ---	APPROVED BY JLAURX	DATE 2010/11/04	MATERIAL NO. <b>SEE CHART</b>	DOCUMENT NO. <b>SD-76060-004</b>	SHEET NO. <b>1 OF 2</b>	
ANGULAR ±1/2°		DRAFT WHERE APPLICABLE MUST REMAIN WITHIN DIMENSIONS		THIS DRAWING CONTAINS INFORMATION THAT IS PROPRIETARY TO MOLEX INCORPORATED AND SHOULD NOT BE USED WITHOUT WRITTEN PERMISSION					

MATERIAL NUMBER	# OF COLUMNS	# OF DIFF PAIR	DIM "A" MAX	DIM "B"	PTH $\phi$
76060-***0	10	50	26.60	17.10	0,46 $\pm 0,05$
76060-***2	12	60	30.40	20.90	
76060-***4	14	70	34.20	24.70	
76060-***6	16	80	38.00	28.50	0,39 $\pm 0,05$
76060-***0	10	50	26.60	17.10	
76060-***2	12	60	30.40	20.90	
76060-***4	14	70	34.20	24.70	
76060-***6	16	80	38.00	28.50	

### 76060-\*\*\*\*

MODULE & TAIL PLATING TYPE  
5 = RIGHT GUIDED LEAD-FREE

POLARIZATION KEY ORIENTATION  
0 = NO KEY  
1 = A      5 = E  
2 = B      6 = F  
3 = C      7 = G  
4 = D      8 = H

# OF COLUMNS  
10 = 10 COL 0.46 PTH  
12 = 12 COL 0.46 PTH  
14 = 14 COL 0.46 PTH  
16 = 16 COL 0.46 PTH  
20 = 10 COL 0.39 PTH  
22 = 12 COL 0.39 PTH  
24 = 14 COL 0.39 PTH  
26 = 16 COL 0.39 PTH

<b>STANDARDIZATION</b> EC NO: UCP2016-3973 DRWNG: VARVARA 2015/07/28 CHKD: TELO 2016/02/22 APPR: TELO 2016/04/20	QUALITY SYMBOLS	GENERAL TOLERANCES (UNLESS SPECIFIED)	DIMENSION STYLE	SCALE	DESIGN UNITS	THIRD ANGLE PROJECTION
	▽=0 ▽=0 ▽=0	mm      INCH 4 PLACES $\pm$ --- $\pm$ --- 3 PLACES $\pm$ --- $\pm$ --- 2 PLACES $\pm 0.13$ $\pm$ --- 1 PLACE $\pm 0.25$ $\pm$ --- 0 PLACE $\pm$ $\pm$	MM ONLY	3:1	METRIC	TITLE IMPACT 100 OHM DC 5 PAIR SIGNAL MODULE GUIDE RIGHT SALES DWG  <b>molex</b>
			DRAWN BY      DATE JLAURX      2008/06/12	CHECKED BY      DATE TELO      2008/06/12		
			APPROVED BY      DATE JLAURX      2010/11/04	MATERIAL NO. SEE CHART	DOCUMENT NO. SD-76060-004	
J1	DESCRIPTION	ANGULAR $\pm 1/2^\circ$	SIZE	THIS DRAWING CONTAINS INFORMATION THAT IS PROPRIETARY TO MOLEX INCORPORATED AND SHOULD NOT BE USED WITHOUT WRITTEN PERMISSION		