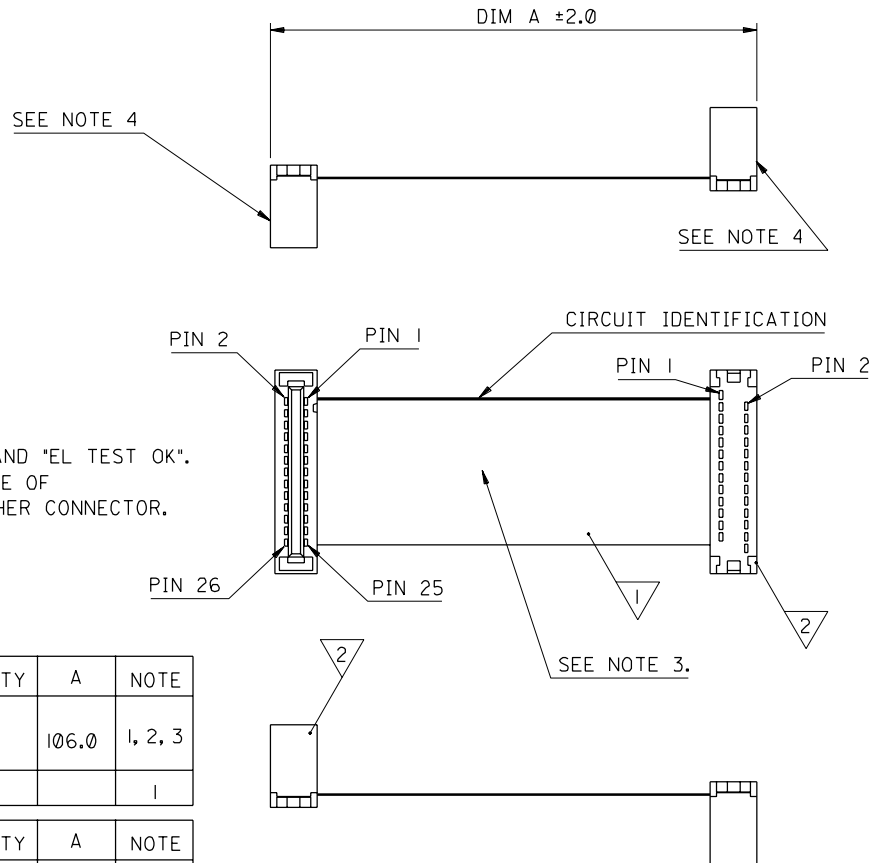


PART NO. SEE CHART
 DWG. NO. SD-92301-033

NOTES:

1. HARNESES TO BE 100% ELECTRICALLY TESTED.
2. SEE CABLE SPECIFICATION ES-99027-0006.
3. FOR MATERIAL NO. 92301-0031 PRINT C39195-A7001-B118-1-6 WHERE SHOWN AND "EL TEST OK".
4. FOR MATERIAL NO. 92301-0032 PRINT C39195-A7001-B119-1-6 ON OUTER FACE OF ONE OF THE CONNECTORS, AND, "EL TEST OK" ON THE OUTER FACE OF THE OTHER CONNECTOR.



MATERIAL NUMBER	ITEM	COMPONENT	DESCRIPTION	QUANTITY	A	NOTE
92301-0031	▽1	99026-0037	26 CKT 28 AWG STRANDED TINNED RIBBON CABLE	1	106.0	1, 2, 3
	▽2	90848-0137	26 CCT EDGE CARD CONNECTOR	2		1

MATERIAL NUMBER	ITEM	COMPONENT	DESCRIPTION	QUANTITY	A	NOTE
92301-0032	▽1	99026-0037	26 CKT 28 AWG STRANDED TINNED RIBBON CABLE	1	34.0	1, 2, 4
	▽2	90848-0137	26 CCT EDGE CARD CONNECTOR	2		1

ORIGINAL RELEASE EC NO. E8 1020 DRW. NO. McCANN 97/08/08 CHK: / / / APPR: / / / A	DESCRIPTION MAJOR = ▽ CRITICAL = ▽ C = ▽ REV	QUALITY SYMBOLS	GENERAL TOLERANCES: (UNLESS SPECIFIED)	SCALE 1 : 1	DESIGN UNITS <input checked="" type="checkbox"/> mm <input type="checkbox"/> INCH	<input type="checkbox"/> THIRD ANGLE <input type="checkbox"/> PROJECTION	DIMENSIONS: <input type="checkbox"/> mm <input type="checkbox"/> INCH <input checked="" type="checkbox"/> mm ONLY	SHT REV
		4 PLACES ±0. ±.	mm INCH	DRAWN BY & DATE A.McCANN 97/08/08	TITLE: RIBBON CABLE ASSEMBLY			
		3 PLACES ±0. ±.		CHECKED BY & DATE M.CURRAN 97/08/08	MOLEX INCORPORATED			
		2 PLACES ±0. ±.		APPROVED BY & DATE M.W. 97/08/08	CAD FILENAME S923013.DGN	MATERIAL NO. SEE CHART	DRAWING NO. SD-92301-033	SHEET NO. 1 OF 1
DRAFT WHERE APPLICABLE MUST REMAIN WITHIN DIMENSIONS		ANGULAR: ± 1/2 °		THIS DRAWING CONTAINS INFORMATION THAT IS PROPRIETARY TO MOLEX INCORPORATED AND SHOULD NOT BE USED WITHOUT WRITTEN PERMISSION.				SIZE B