

| PART NUMBER | ENG. PART NO. | FINISHED LENGTH | POLES | CABLE DIA. |
|-------------|---------------|---------------------|-------|------------|
| 1200650200 | 803006A09M020 | 6 FT 7 IN [2.0M] | 3 | .19 |
| 1200650418 | 804006A09M040 | 13 FT 1 IN [4.0M] | 4 | .20 |
| 1200650522 | 805006A09M010 | 3 FT 3 IN [1.0M] | 5 | .22 |
| 1200650533 | 805006A09M100 | 32 FT 10 IN [10.0M] | 5 | .22 |
| 1200659220 | 805006A09M300 | 98 FT 5 IN [30.0M] | 5 | .22 |

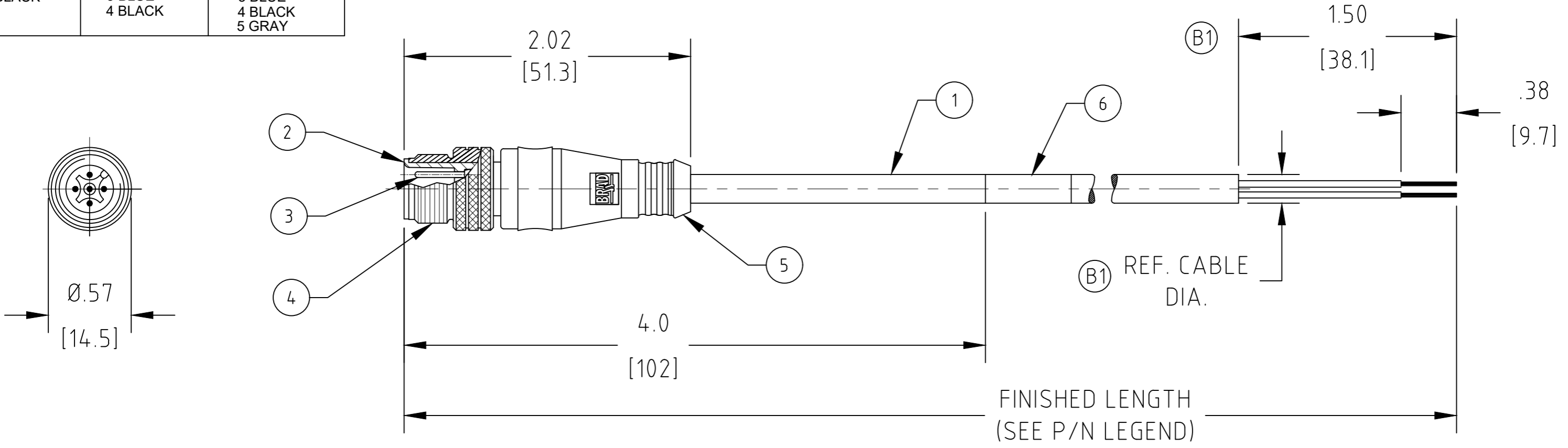
PART NO. LEGEND
803006A09M020

POLES
3,4,& 5

cable length
M005 = 0.5 Meters
M020 = 2 Meters
M100 = 10 Meters

CABLE LENGTH TOLERANCES

| | |
|--------------------------|-------------------------|
| <.3M [1FT]: | +19mm-0 [+ .75in-0] |
| .3 - .9M [1 - 3FT]: | +44.5mm-0 [+1.75in-0] |
| .9 - 1.8M [3 - 6FT]: | +55.6mm-0 [+2.19in-0] |
| 1.8 - 3.7M [6 - 12FT]: | +88.9mm-0 [+3.50in-0] |
| 3.7 - 7.3M [12 - 24FT]: | +165.1mm-0 [+6.50in-0] |
| 7.3-14.6M [24 - 48FT]: | +317.5mm-0 [+12.50in-0] |
| 14.6 - 30.5M [48-100FT]: | +622.3mm-0 [+24.50in-0] |
| OVER 30M [100FT]: | +2% OF FINISHED LENGTH |



- NOTES:**
1. MATERIAL: AS NOTED
 2. FINISH: AS NOTED
 3. ELECTRICAL:
VOLTAGE: 250V
CURRENT: 4A
 4. TEMP RATING: -25°C TO +105°C
 5. PROTECTION: IP67 (WHEN MATED)
 6. COUPLING THREAD: M12 X 1.0
 7. UL RECOGNIZED FILE: E152210
CSA CERTIFIED FILE: LR 6837
 8. ALL DIMS ARE FOR REFERENCE UNLESS TOLERANCED OR NOTED OTHERWISE

| ITEM | DESCRIPTION | MATERIAL | FINISH |
|------|------------------|--------------|---------------|
| 6 | WRAP LABEL | VINYL | BLACK/YELLOW |
| 5 | OVERMOLD | PUR | YELLOW |
| 4 | COUPLING NUT | BRASS | NICKEL PLATED |
| 3 | CONTACT PIN | COPPER ALLOY | GOLD PLATED |
| 2 | INSERT, MALE, 5P | PUR | BLACK |
| 1 | CABLE, 22AWG | PVC JACKET | YELLOW |

| | | | | |
|---------------------------------------------------------------|-----------------------------------------------------------------------------------------------------------------------------------------------|-----------------------------------|-----------------------------------------------------------------------------|------------------------------------|
| FUNCTIONAL SYMBOLS F/A=0 F/C=0 F/P=0 | THIS DRAWING CONTAINS INFORMATION THAT IS PROPRIETARY TO MOLEX ELECTRONIC TECHNOLOGIES, LLC AND SHOULD NOT BE USED WITHOUT WRITTEN PERMISSION | | 3-5 POLE MA STR 22/AWG YELLOW PVC CABLE | |
| | DIMENSION UNITS INCH/MM | SCALE 1:1 | | |
| | GENERAL TOLERANCES (UNLESS SPECIFIED) | | EC NO: 698871 | SD-120065-028 PSD 001 B1 |
| | 4 PLACES ±---- | ±---- | DRWN: RSTONE 2022/03/08 | |
| DIVISIONAL SYMBOLS | | 3 PLACES ±---- | CHK'D: ALEON01 2022/03/14 | |
| 1 PLACE ±---- | | 2 PLACES ±---- | APPR: BWOODMAN 2022/03/15 | |
| 0 PLACES ±---- | | ANGULAR TOL ± ---- ° | INITIAL REVISION: DRWN: LSTEMMLE 2010/01/13 APPR: NSTAUDIG 2010/01/25 | |
| DRAFT WHERE APPLICABLE MUST REMAIN WITHIN DIMENSIONS | | THIRD ANGLE PROJECTION | DRAWING B-SIZE | SERIES 120065 |
| DOCUMENT STATUS P1 RELEASE DATE 2022/03/15 19:57:15 | | MATERIAL NUMBER SEE P/N LEGEND | | CUSTOMER GENERAL MARKET |
| FORMATT: IN-ACAD-ib-prod-B REVISION: B DATE: 2020/01/14 | | SHEET NUMBER 1 OF 1 | | |