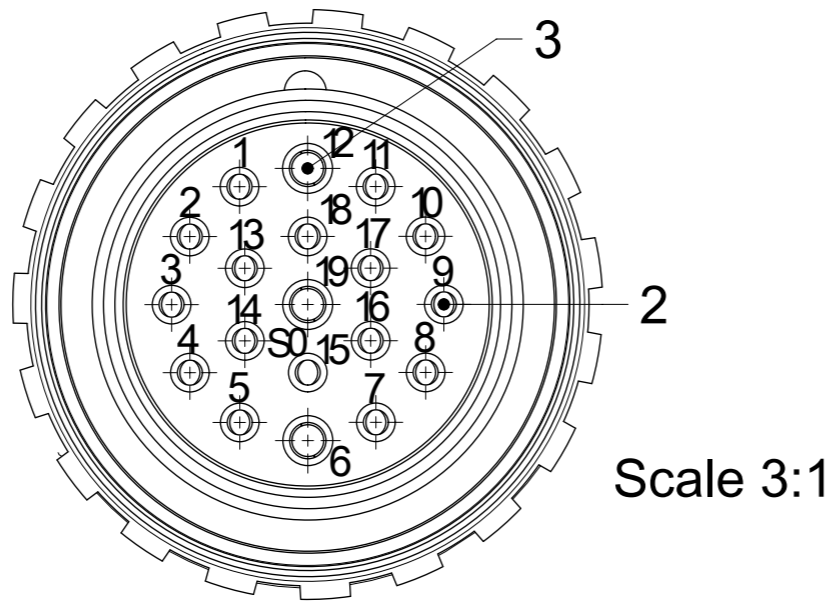


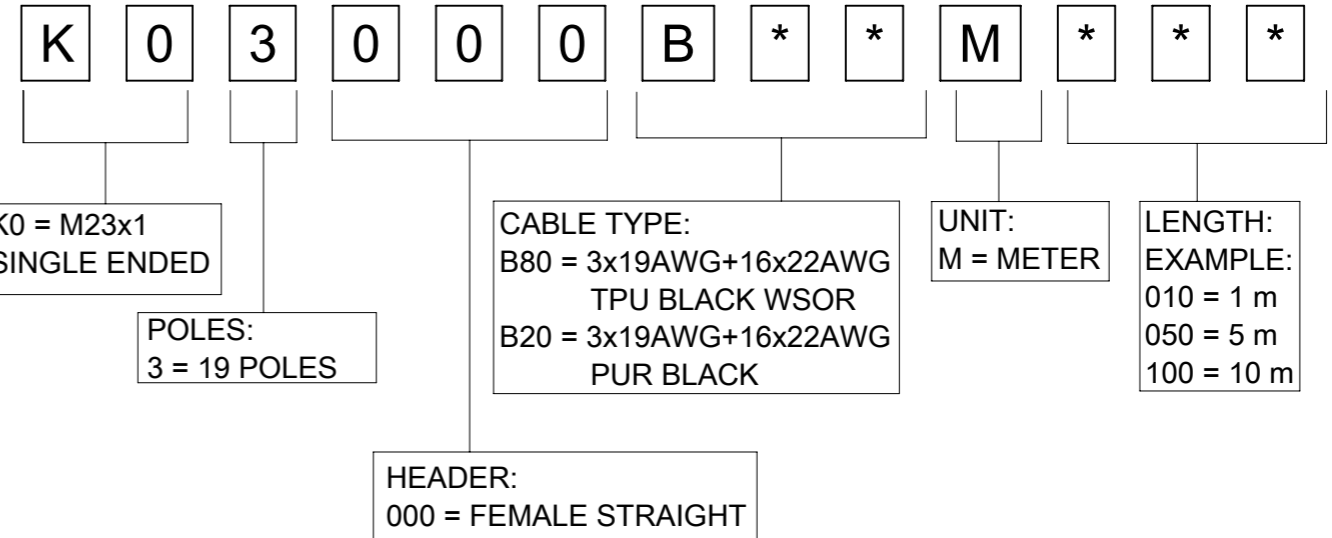
# Wiring Diagram

- 1 Violet
- 2 Red
- 3 Gray
- 4 Red/Blue
- 5 Green
- 6 Blue
- 7 Gray/Pink
- 8 White/Green
- 9 White/Yellow
- 10 White/Gray
- 11 Black
- 12 Green/Yellow
- 13 Yellow/Brown
- 14 Brown/Green
- 15 White
- 16 Yellow
- 17 Pink
- 18 Gray/Brown
- 19 Brown

## Connector Pin Assignment for M23 19 Pole Front Side View



## ENGINEERING NO. - MATRIX



### CABLE SPECIFICATION FOR B80:

**CONDUCTOR A:**  
 MATERIAL: BARE COPPER  
 SECTION: 0.75mm<sup>2</sup>/19AWG  
 DIAMETER: 1.75±0.10mm  
**CONDUCTOR B:**  
 MATERIAL: BARE COPPER  
 SECTION: 0.34mm<sup>2</sup>/22AWG  
 DIAMETER: 1.30±0.10mm  
**JACKET:**  
 COMPOUND: TPU  
 COLOR: BLACK  
 DIAMETER: 10.20±0.30mm

### CABLE SPECIFICATION FOR B20:

**CONDUCTOR A:**  
 MATERIAL: BARE COPPER  
 SECTION: 0.75mm<sup>2</sup>/19AWG  
 DIAMETER: 1.80±0.10mm  
**CONDUCTOR B:**  
 MATERIAL: BARE COPPER  
 SECTION: 0.34mm<sup>2</sup>/22AWG  
 DIAMETER: 1.40±0.10mm  
**JACKET:**  
 COMPOUND: PUR  
 COLOR: BLACK  
 DIAMETER: 10.60±0.20mm

### CONNECTOR SPECIFICATION

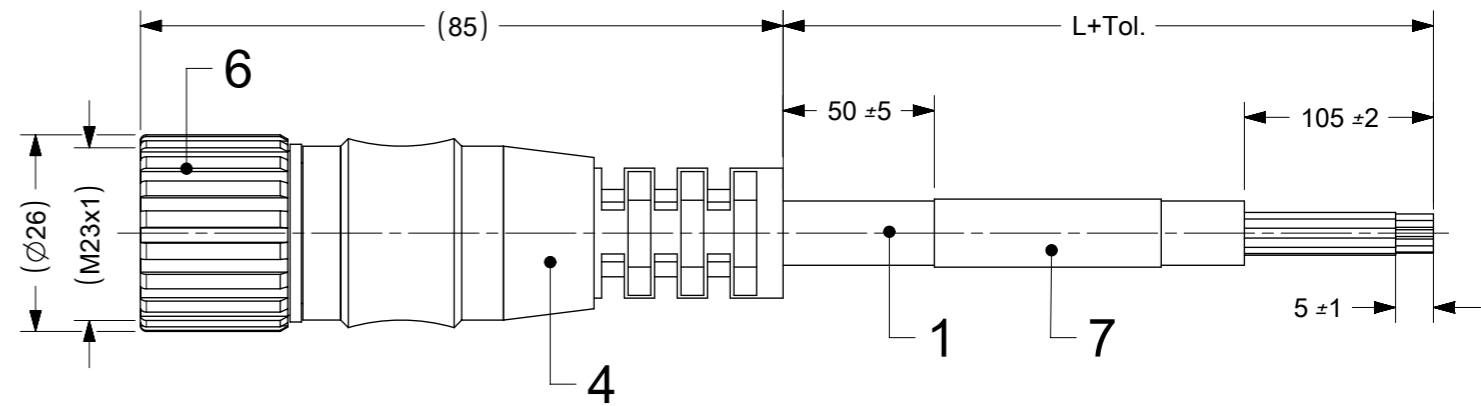
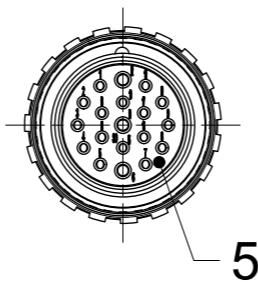
VOLTAGE RATING	63 V AC/DC
AMPERAGE RATING	6 AMPS
PROTECTION CLASS	IP67
OPERATING TEMPERATURE	-25°C to 90°C

### TABLE

Molex P/N	Engineering P/N	Length L[mm]
1200945015	K03000B20M100	10000
1200945016	K03000B20M200	20000
1200945024	K03000B20M050	5000
1200948154	K03000B80M010	1000

### CABLE LENGTH TOLERANCES

LENGTH	TOLERANCE
0m-1m	+40 mm
>1m-5m	+60 mm
>5m-10m	+80 mm
>10m-20m	+140 mm
>20m-30m	+160 mm
>30m	+1% length



### BILL OF MATERIALS

ITEM	QTY	DESCRIPTION	MATERIAL	FINISH
7	1	Standard Wrap Label	Vinyl	Yellow
6	1	M23 Female coupling nut	Brass	Nickel Plated
5	1	M23 Female insert 19P	TPU	Black
4	1	Overmold	TPU	Black
3	3	Contacts	Brass	Nickel Plated
2	16	Contacts	Bronze	Nickel Plated
1	L	CABLE: SEE MATRIX	-	Black

FUNCTIONAL SYMBOLS	THIS DRAWING CONTAINS INFORMATION THAT IS PROPRIETARY TO MOLEX ELECTRONIC TECHNOLOGIES, LLC AND SHOULD NOT BE USED WITHOUT WRITTEN PERMISSION	SCALE	<b>molex</b>	
▽A = 0	mm	1:1	CSE M23 19P FE ST XM SE	
▽E = 0	GENERAL TOLERANCES (UNLESS SPECIFIED)		PRODUCT CUSTOMER DRAWING	
▽V = 0	ANGULAR TOL ± 1.0°			
4 PLACES ±	CURRENT REV DESC: FIRST RELEASE		DOCUMENT NUMBER	
3 PLACES ±	EC NO: 649839			
2 PLACES ± 0.05	DRWN: RSCHEIBER		1200945016	
1 PLACE ± 0.3	CHK'D: RSILLER			
0 PLACES ± 0.5	APPR: RSILLER		DOC TYPE DOC PART REVISION	
DRAFT WHERE APPLICABLE MUST REMAIN WITHIN DIMENSIONS		THIRD ANGLE PROJECTION		
		DRAWING	SERIES	
		A3-SIZE		
		120094	CUSTOMER	
			SHEET NUMBER	