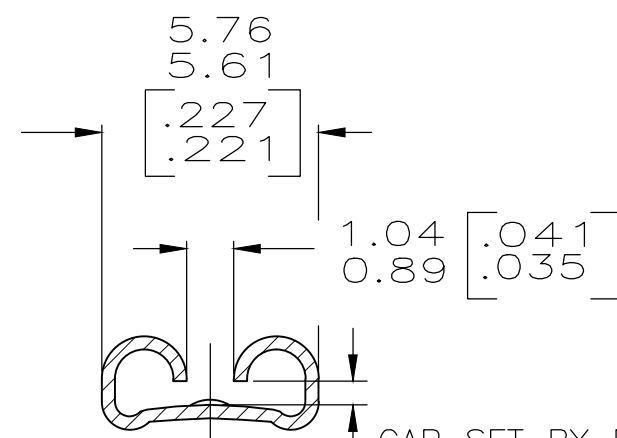
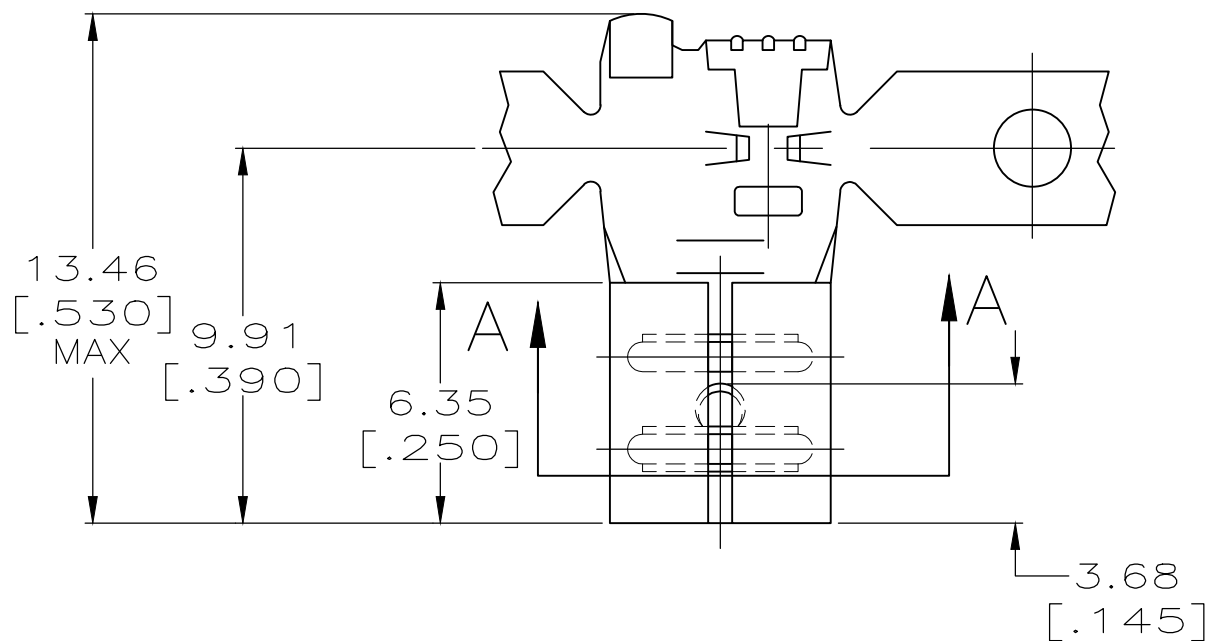


THIS DRAWING IS UNPUBLISHED. RELEASED FOR PUBLICATION
 © COPYRIGHT - By - ALL RIGHTS RESERVED.

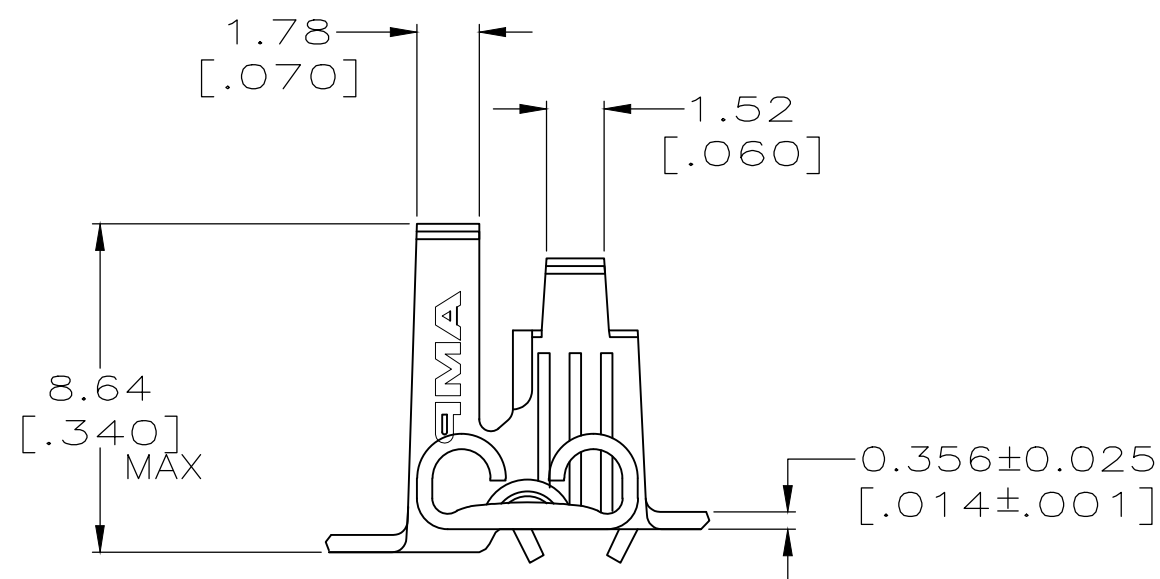
LOC	DIST	REVISIONS			
P	LTR	DESCRIPTION	DATE	DWN	APVD
AF	50	D1	REVISED PER ECR-20-009164	23JUL2020	MK DH

- CONTINUOUS STRIP ON REELS.
- WIRE SIZE [#18-#14] AWG.
- INSULATION RANGE 2.79-4.83
[.110-.190] DIA.
- MATING TAB THK TO BE 0.762-0.838
[0.030-0.033]




GAP SET BY FORCE REQUIREMENTS.
AND NOT TO EXCEED 0.711 [.028] MAX

SECTION A-A



1217027-1
PART NO.

THIS DRAWING IS A CONTROLLED DOCUMENT.		DWN JR RUTH 11/17/97	 TE Connectivity		
DIMENSIONS: mm [INCHES]		CHK MS FEHER 11/17/97			
TOLERANCES UNLESS OTHERWISE SPECIFIED:		APVD P DESANTIS 11/17/97	NAME RECEPTACLE, FASTON™, FLAG, 4.75 [.187] SERIES		
0 PLC ± - 1 PLC ± - 2 PLC ± 0.25 [.010] 3 PLC ± - 4 PLC ± - ANGLES ± -		PRODUCT SPEC -	APPLICATION SPEC 114-2078		
MATERIAL BRASS	FINISH TIN	WEIGHT -	SIZE A3	CAGE CODE 00779	DRAWING NO C-1217027
CUSTOMER DRAWING			SCALE 5:1	SHEET 1 OF 1	REV D1