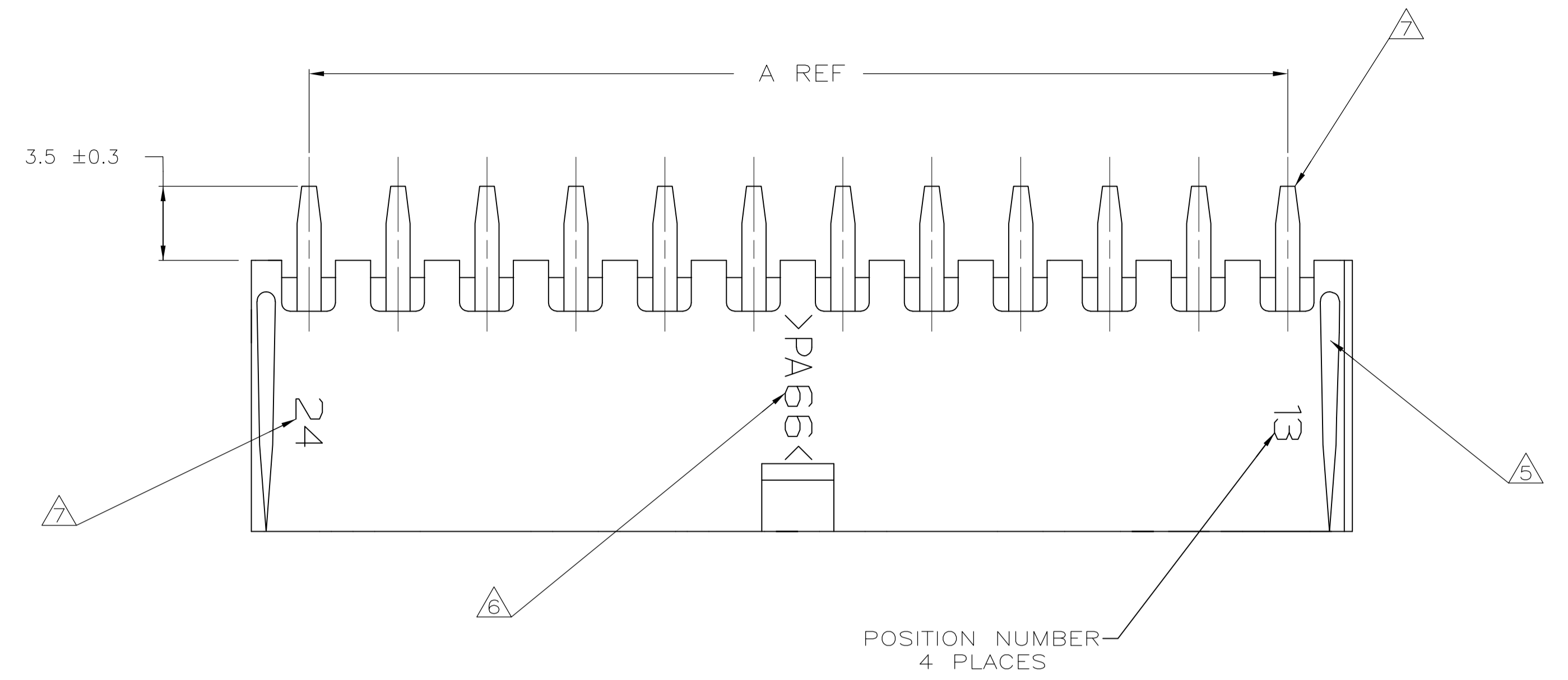
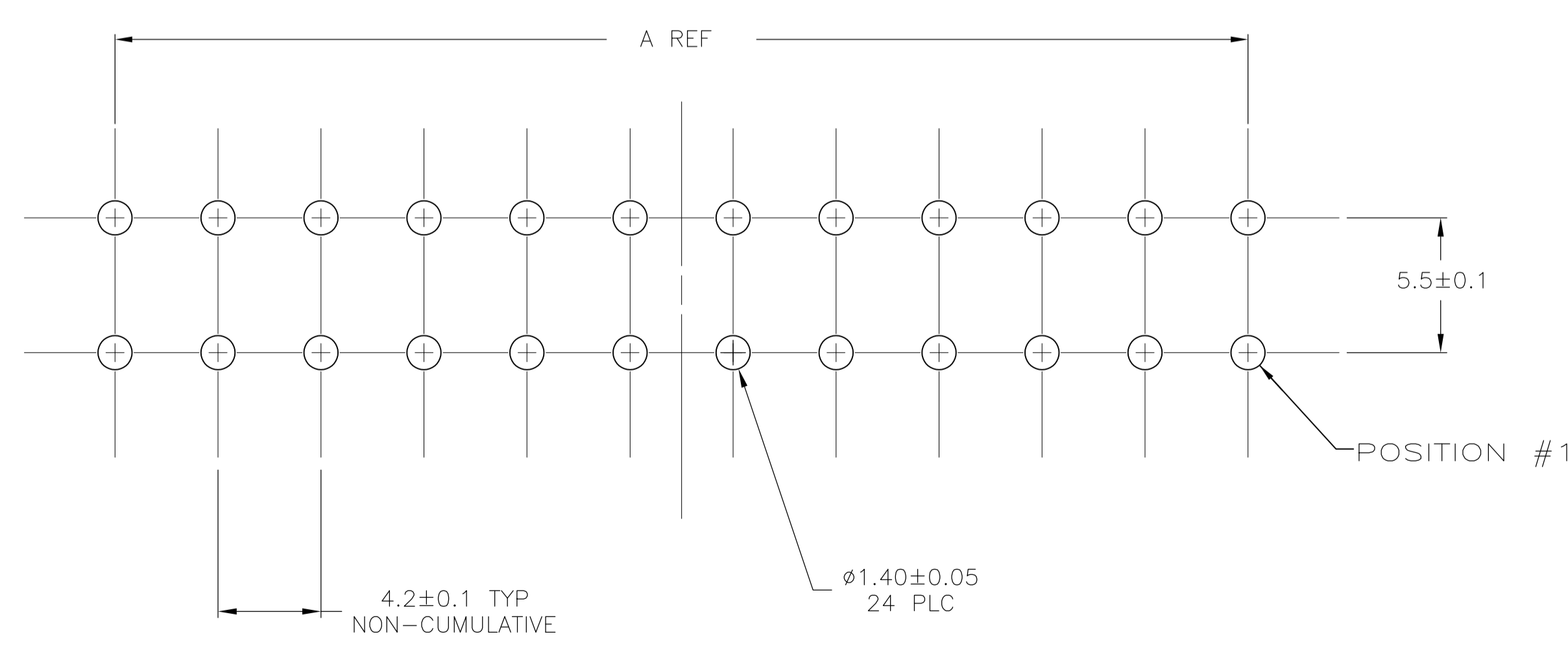
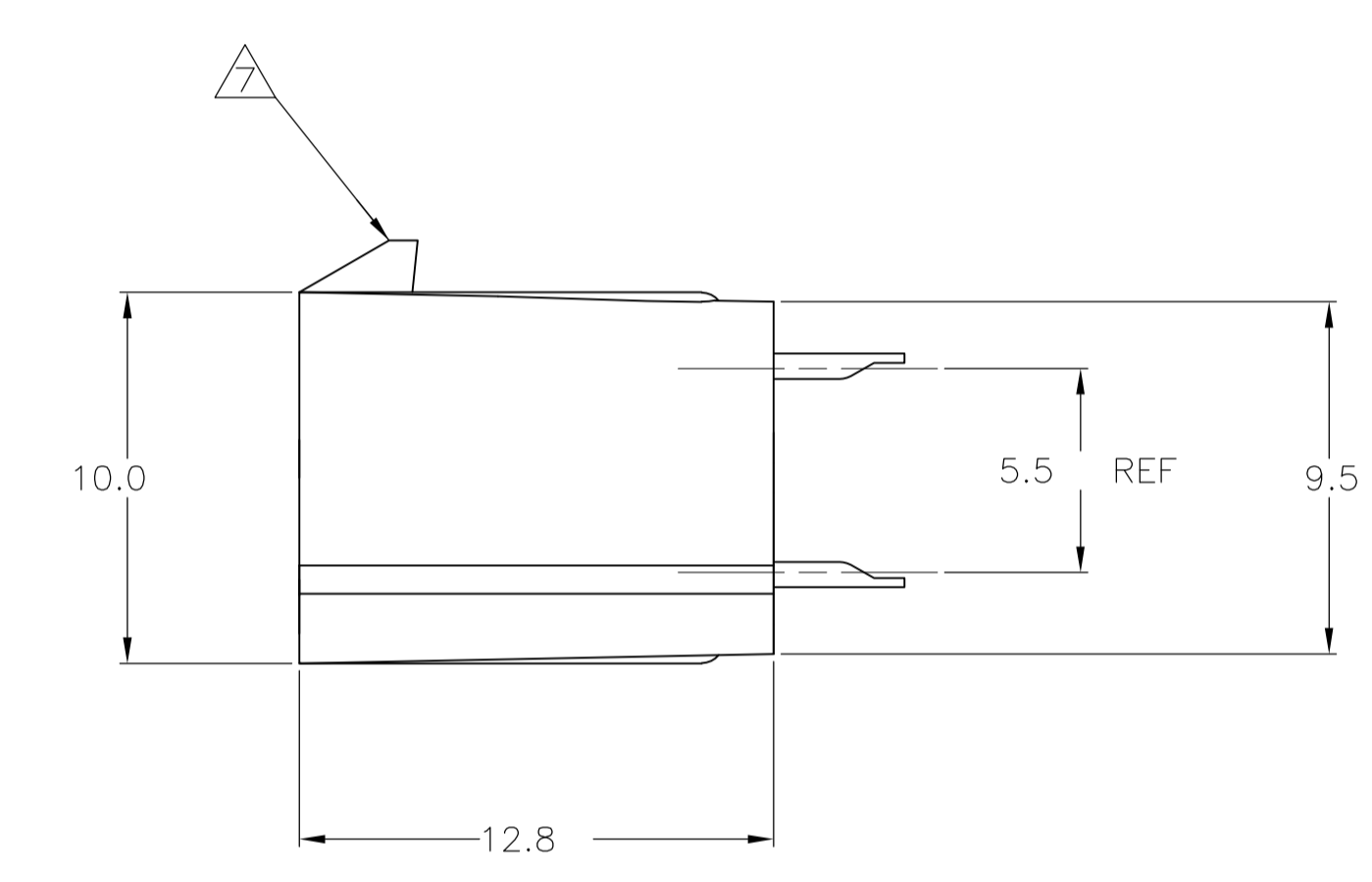
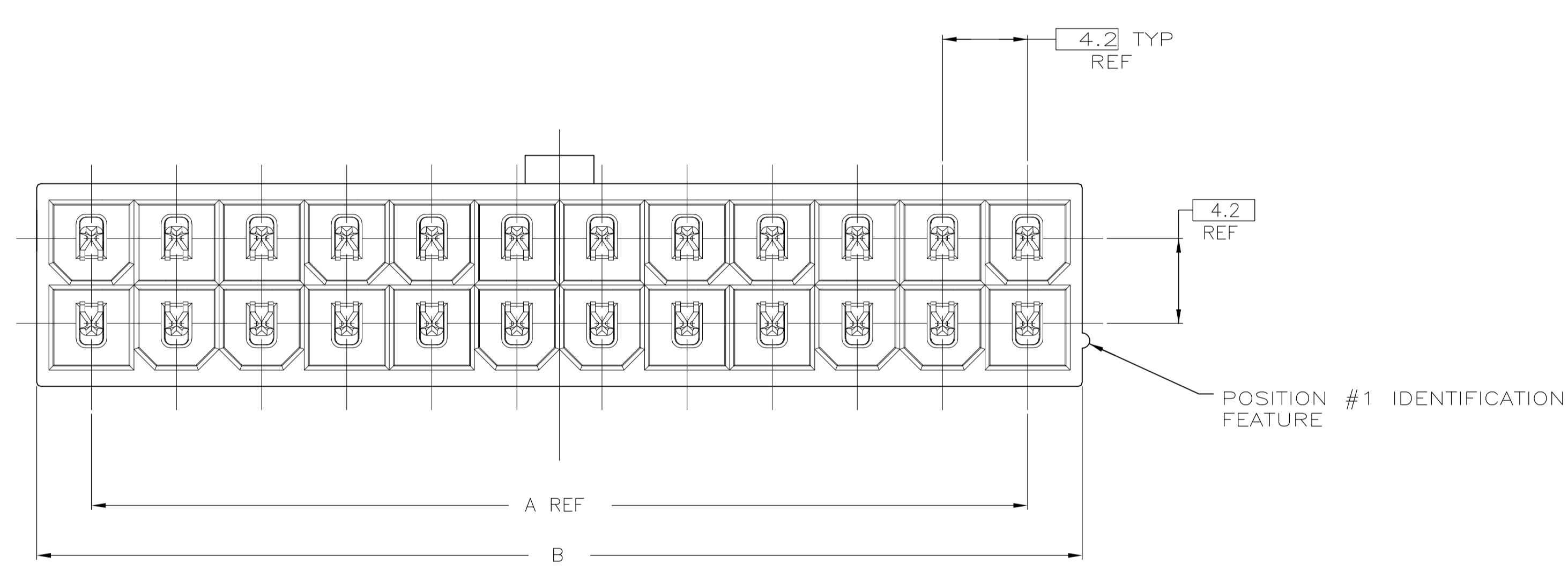


LOC		DIST		REVISIONS			
P	LTR	DESCRIPTION	DATE	DMN	APVD		
0		REVISED PER 0G3B-1111-04	27JUNE05	KW	DC		
01		REVISED PER ECO-09-024927	06NOV09	KK	AEG		



- △ MATERIAL: HOUSING - NYLON, UL94V-2 (COLOR - NATURAL, COLOR OF PARTS MAY VARY). CONTACTS - 0.25 THK COPPER ALLOY.
- △ CONTACT FINISH: 0.00076 MIN THK GOLD PLATE ON PIN MATING SURFACE, 0.003 MIN THK TIN PLATE ON SOLDER TAIL, ALL OVER 0.00127 MIN THK NICKEL BASE PLATE.
- 3. SOLDER TAIL MEETS AMP SOLDERABILITY SPECIFICATION 109-11-2.
- 4. MATES WITH SIMILARLY PLATED AMP-DUAC™ POWER CONNECTOR RECEPTACLE HOUSINGS/SOCKET CONTACTS.
- △ RIBS ON FOUR CORNERS OPTIONAL.
- △ AMP LOGO AND MATERIAL ID MAY BE LOCATED ON EITHER LONG SIDE OF PART.
- △ SIZE, SHAPE OR STYLE OF THIS FEATURE MAY VARY.
- △ OBSOLETE PARTS: OBSOLETE CIS STREAMLINING PER D.RENAUD/D.SINISI



RECOMMENDED MOUNTING HOLE PATTERN
 FOR 1.78 MAX THICK P.C. BOARD
 COMPONENT SIDE SHOWN

	B	A	NO. OF POSITIONS	PART NO
OBSOLETE	51.6	46.2	24	2-1586492-4
	47.4	42.0	22	2-1586492-2
	43.2	37.8	20	2-1586492-0
	39.0	33.6	18	1-1586492-8
OBSOLETE	34.8	29.4	16	1-1586492-6
	30.6	25.2	14	1-1586492-4
	26.4	21.0	12	1-1586492-2
OBSOLETE	22.2	16.8	10	1-1586492-0
	18.0	12.6	8	1586492-8
	13.8	8.4	6	1586492-6
	9.6	4.2	4	1586492-4
	5.4	0.0	2	1586492-2

THIS DRAWING IS A CONTROLLED DOCUMENT.

DIMENSIONS:	TOLERANCES UNLESS OTHERWISE SPECIFIED:	APPROVED	DATE	NAME
mm	0. PLC ± - 1. PLC ± 0.2 2. PLC ± 0.13 3. PLC ± - 4. PLC ± - ANGLES ± 0°30'	D. COLEY	20JUNE2005	D. COLEY
		Tyco Electronics Corporation Harrisburg, Pa 17105-3608		
MATERIAL: △ FINISH: △		WEIGHT: - CUSTOMER DRAWING	SIZE: A1 SCALE: 5:1	DRAWING NO: 100779 DRAWING NO: C=1586492 SHEET: 1 of 1 REV: 01

