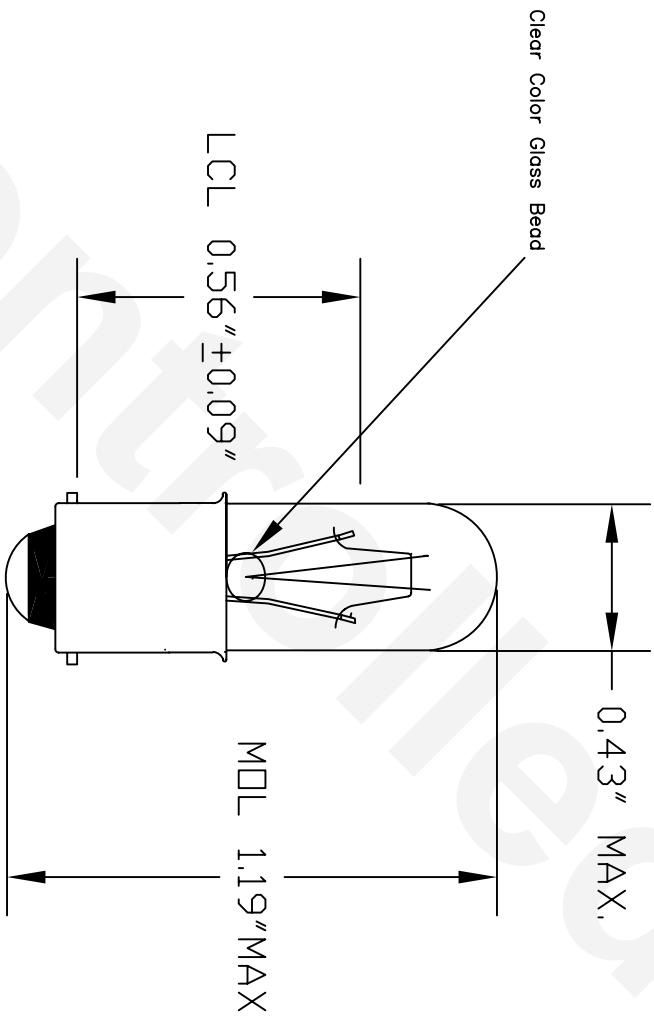


PART NO.	BASE TYPE	DESIGN VOLTS	DESIGN AMPS	MSCD	FILAMENT TYPE	AVG LIFE
1889	MIN. BAYONET Bays T3 1/4	14.0	.27A ± 10%	2.00 ± 20%	C-2F	1500

REVISIONS			
REV	DESCRIPTION	DATE	APPROVED
B	Address Change	8-4-2008	S.L.
C	Add SAE note, Bead Color & Design Watts.	8-6-2008	S.L.

* SAE J573 Compliance.
Design Watts: 3.78 ±10%



UNLESS OTHERWISE SPECIFIED:
DIMENSIONS ARE IN INCHES
TOLERANCES

DECIMALS .XX ± .05
ANGULAR ± 0.5°
XXX ± .010
FRACTIONAL ± 1/64

DRAWN Anna Soloveychik 01/24/02

CHECKED

DESIGN

MATERIAL

CEC INDUSTRIES LTD

599 BOND STREET

LINCOLNSHIRE, IL 60069

TITLE LIGHT BULB NO. 1889

SIZE A FSCM NO. DWG NO. 1889.DWG

REV C

SCALE PLOT SCALE SHEET 1 OF 1

FILE \AUTO CAD FILES\1889.DWG DO NOT SCALE DRAWING