

THIS DRAWING IS UNPUBLISHED. RELEASED FOR PUBLICATION
 (C) COPYRIGHT 19 ALL RIGHTS RESERVED.

LOC	DIST	REVISIONS					
		P	LTR	DESCRIPTION	DATE	DWN	APVD
DS	-		A	RELEASED	09JUN2011	JH.G	BW.K

D

D

C

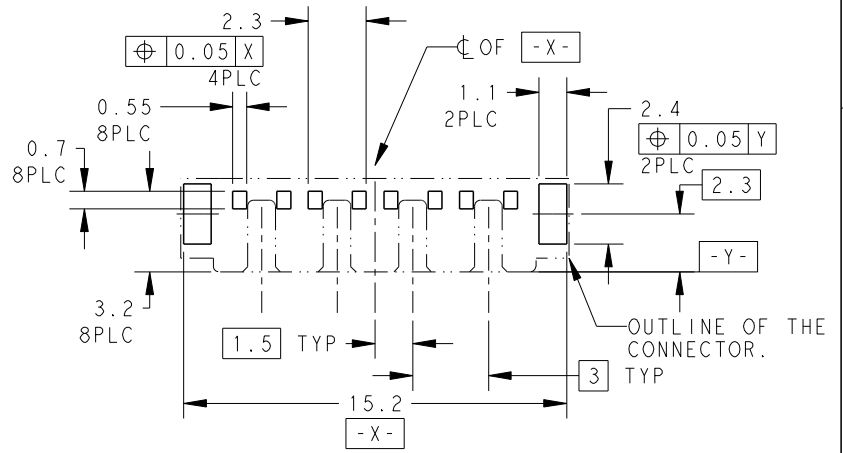
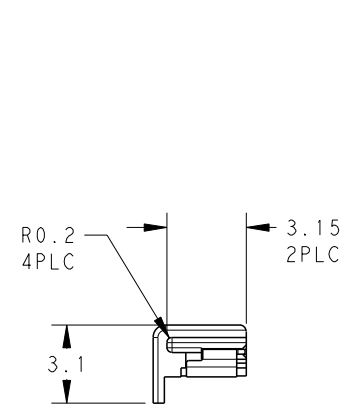
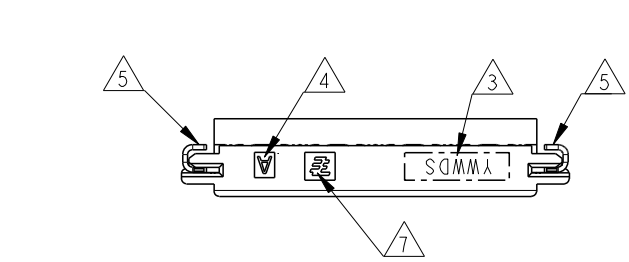
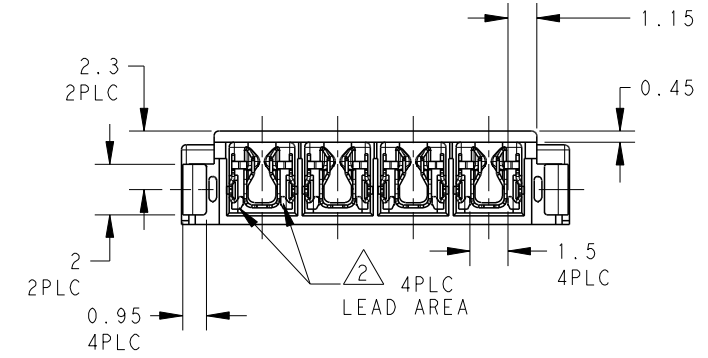
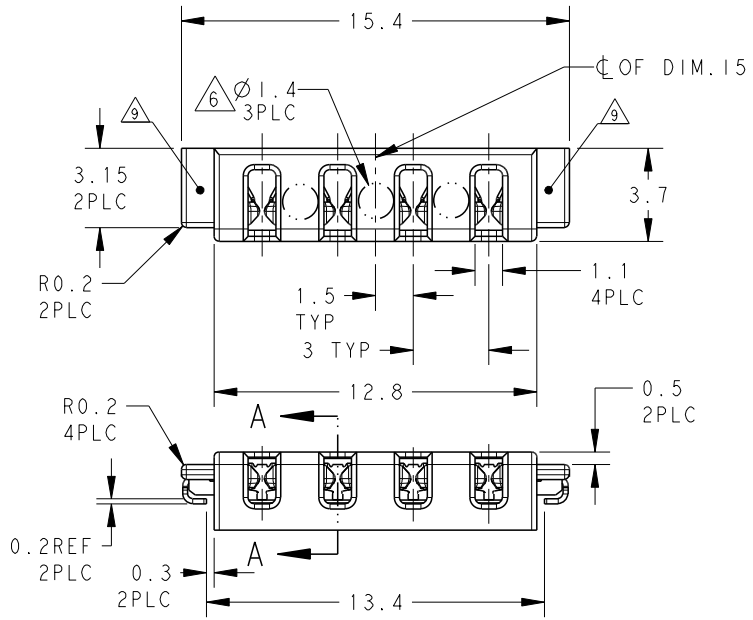
C

B

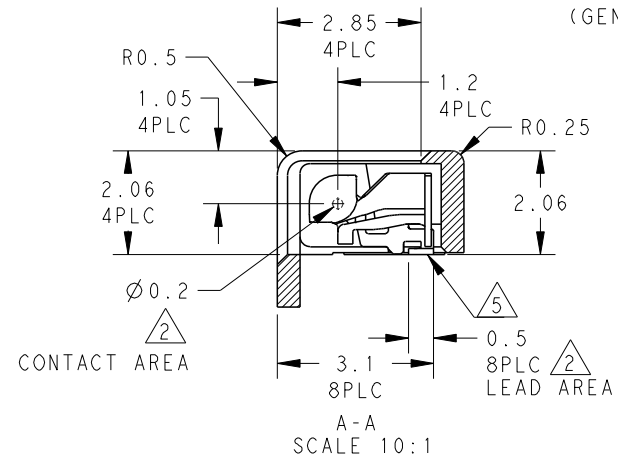
B

A

A



REFERENCE P.C BOARD LAYOUT
 (GENERAL TOLERANCE: ±0.05, SCALE 5:1)



- △ MATERIAL CONTACT: COPPER ALLOY
- △ HOUSING: THERMO PLASTICS UL94 HB, BLACK
- △ SOLDER PEG: COPPER ALLOY
- △ FINISH CONTACT: NICKEL ALL OVER UNDER PLATING
- △ GOLD PLATING AT CONTACT AREA 0.5um MIN.
- △ GOLD FLASH PLATING AT LEAD AREA
- △ SOLDER PEG: NICKEL ALL OVER UNDER PLATING
- △ TIN PLATING ALL OVER
- △ DATE CODE: (YYWWS: Y-YEAR, WW-WEEK, D-DAY, S-SHIFT (D-DAY, N-NIGHT))
- △ MOLD CAVITY ID.
- △ COPLANARITY: 0.08MAX.
- △ PICKING AREA
- △ TRADE MARK
- △ HSG SURFACE: TEXTURE ACCORDING VDI 3400-24/27 (R_a 1.9 MICROMETER).
- △ GATE BURR 0.08 MAX. GATE ON THE ONE SURFACE BETWEEN INDICATED TWO SURFACES OF THE PRODUCT.

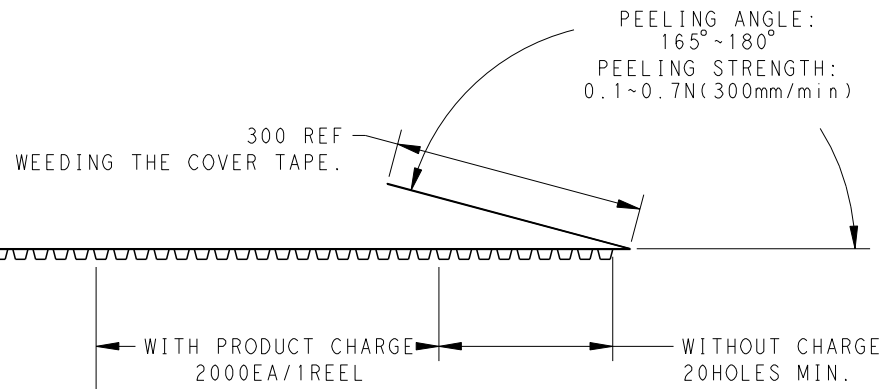
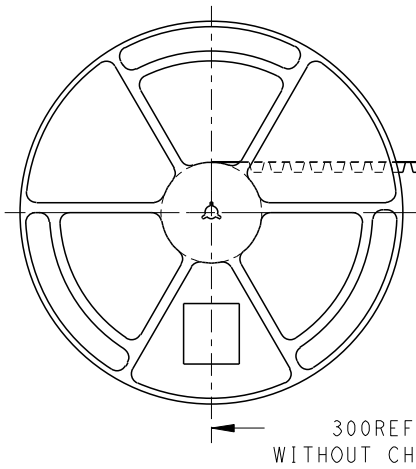
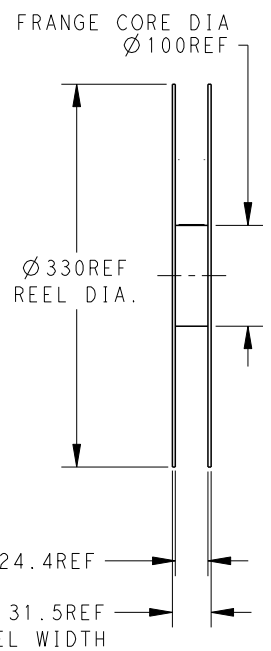
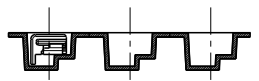
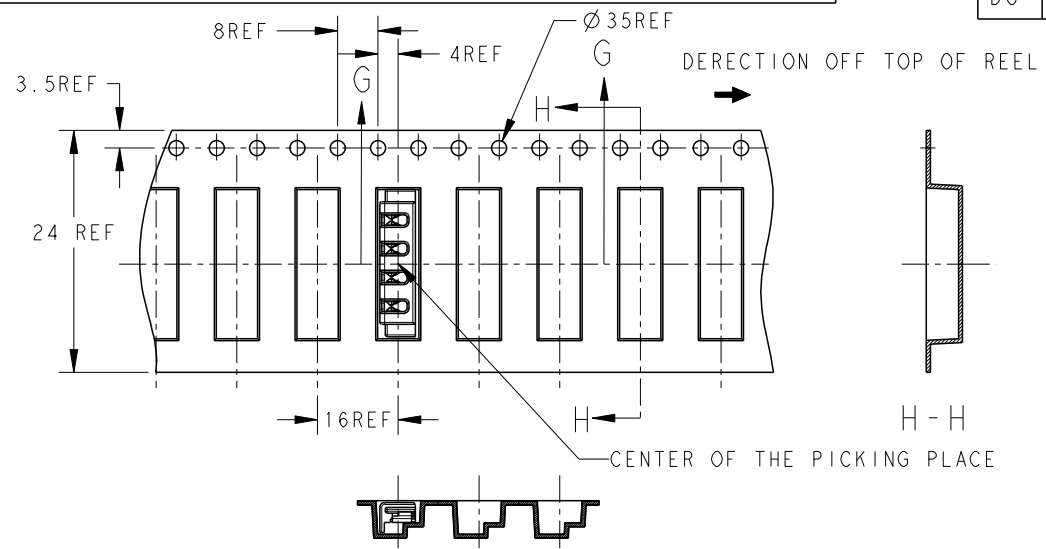
△ 2	2108074-2
FINISH	P/N

THIS DRAWING IS A CONTROLLED DOCUMENT.		DWN JH GONG 09JUN2011		NAME	
DIMENSIONS: mm		CHK JH KIM 09JUN2011		PRODUCT SPEC	
TOLERANCES UNLESS OTHERWISE SPECIFIED: ±0.15		APVD BW KANG 09JUN2011		APPLICATION SPEC	
0 PLC ± 1 PLC ±0.5 2 PLC ±0.13 3 PLC ±0.013 4 PLC ±0.0003 ANGLES ±		108-61118		108-61118	
MATERIAL	FINISH	WEIGHT 0.14g	SIZE A3	CAGE CODE 00779	DRAWING NO C=2108074
CUSTOMER DRAWING			SCALE 5:1	SHEET 1 OF 2	REV A

THIS DRAWING IS UNPUBLISHED.
 RELEASED FOR PUBLICATION
 ALL RIGHTS RESERVED.

LOC DS DIST -

REVISIONS				
P	LTR	DESCRIPTION	DATE	DWN APVD
-	-	SEE SHEET 1	-	-



2000	2108074-2
QTY/REEL	P/N

THIS DRAWING IS A CONTROLLED DOCUMENT.		DWN	STE TE Connectivity	
DIMENSIONS: mm		CHK		
TOLERANCES UNLESS OTHERWISE SPECIFIED: ±0.3		APVD	NAME	
0 PLC ±		PRODUCT SPEC		FLOATING BATTERY INTERCONNECTION SYSTEMS RECEPTACLE ASSEMBLY
1 PLC ±0.5		108-61118		
2 PLC ±0.13		APPLICATION SPEC		RESTRICTED TO
3 PLC ±0.013		SIZE	CAGE CODE	DRAWING NO
4 PLC ±0.003		WEIGHT	A300779	©=2108074
ANGLES ±		CUSTOMER DRAWING		SCALE NTS
FINISH		SHEET 2 OF 2		REV A