

1

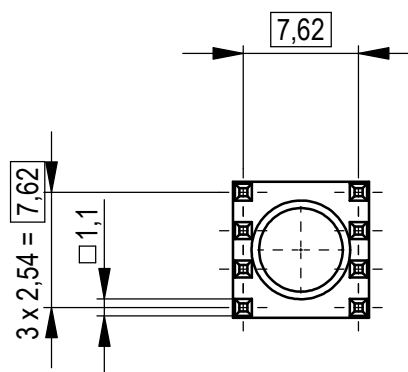
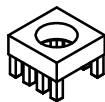
2

3

4

A

A

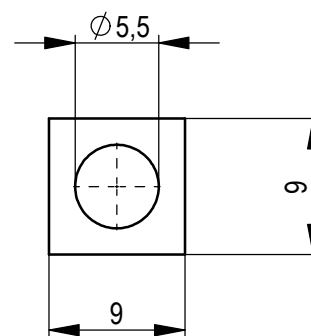
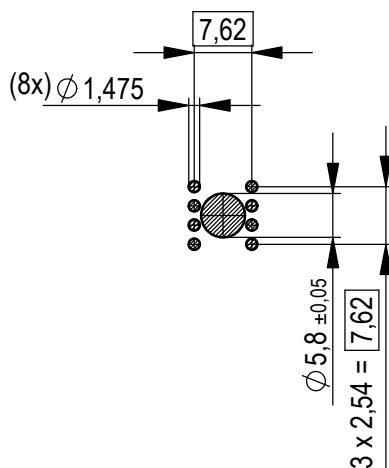
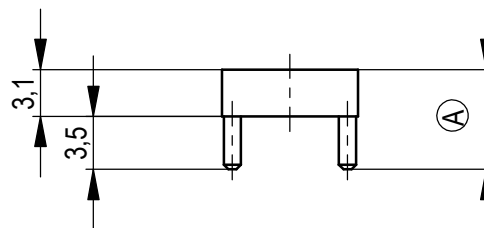
M 1:1
scale 1:1

B

B

C

C

Layout - Vorschlag
PCB - Layout proposal
M 1:1
scale 1:1

D

D

Weitergabe sowie Vervielfältigung dieses Dokuments, Verwertung und Mitteilung seines Inhalts sind verboten, soweit nicht ausdrücklich gestattet. Zuwiderhandlungen verpflichten zu Schadenersatz. Alle Rechte für den Fall der Patent-, Gebrauchsmuster- oder Geschmacksmustererhaltung vorbehalten. The reproduction, distribution and utilization of this document as well as the communication of its contents to others without express authorization is prohibited. Offenders will be held liable for the payment of damages. All rights reserved in the event of the grant of a patent, utility model or design.

E

E

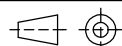
2-6µm Sn matt über 2-4µm Cu
2-6µm sn matt over 2-4µm cu

Ⓐ Oberfläche / plating

F

Dimension no.

Tolerances



Scale 2:1

Material

CuZn39Pb3

ISO 8015

All Dimensions
in mmCustomer drawing:

All rights reserved.
Only for Information.
To ensure that this is the latest
version of this drawing, please
contact one of the ERNI companies
before using.

Subject to modification without
prior notice.
Drawing will not be updated.

PowerElement two-part
two row population d 5,5

225726

I

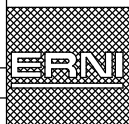
A4

b

20.07.2020

Index

Date



ERNI International AG
Zürichstrasse 72
8306 Brüttisellen - Zürich
Switzerland

Class

POWELM