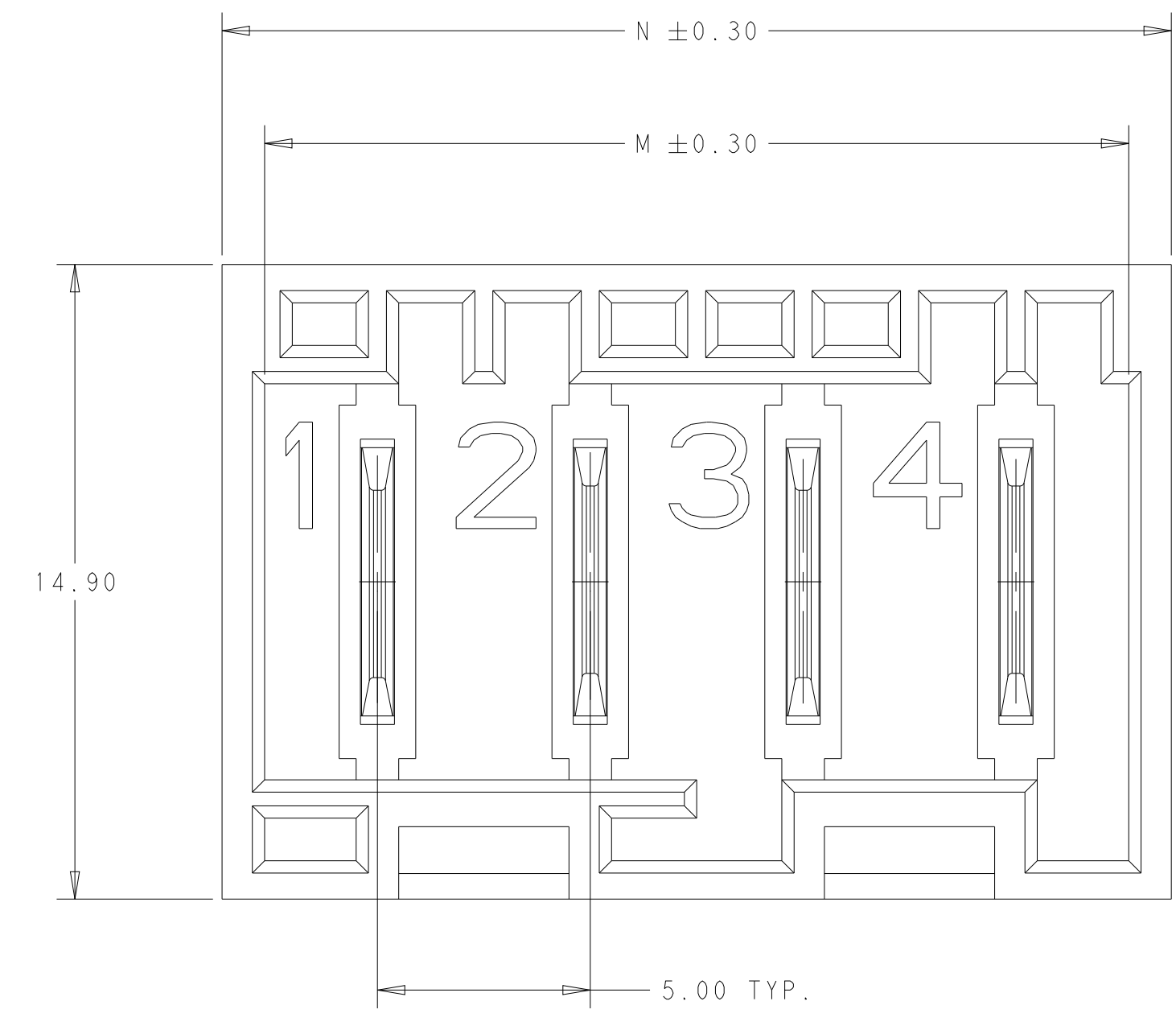
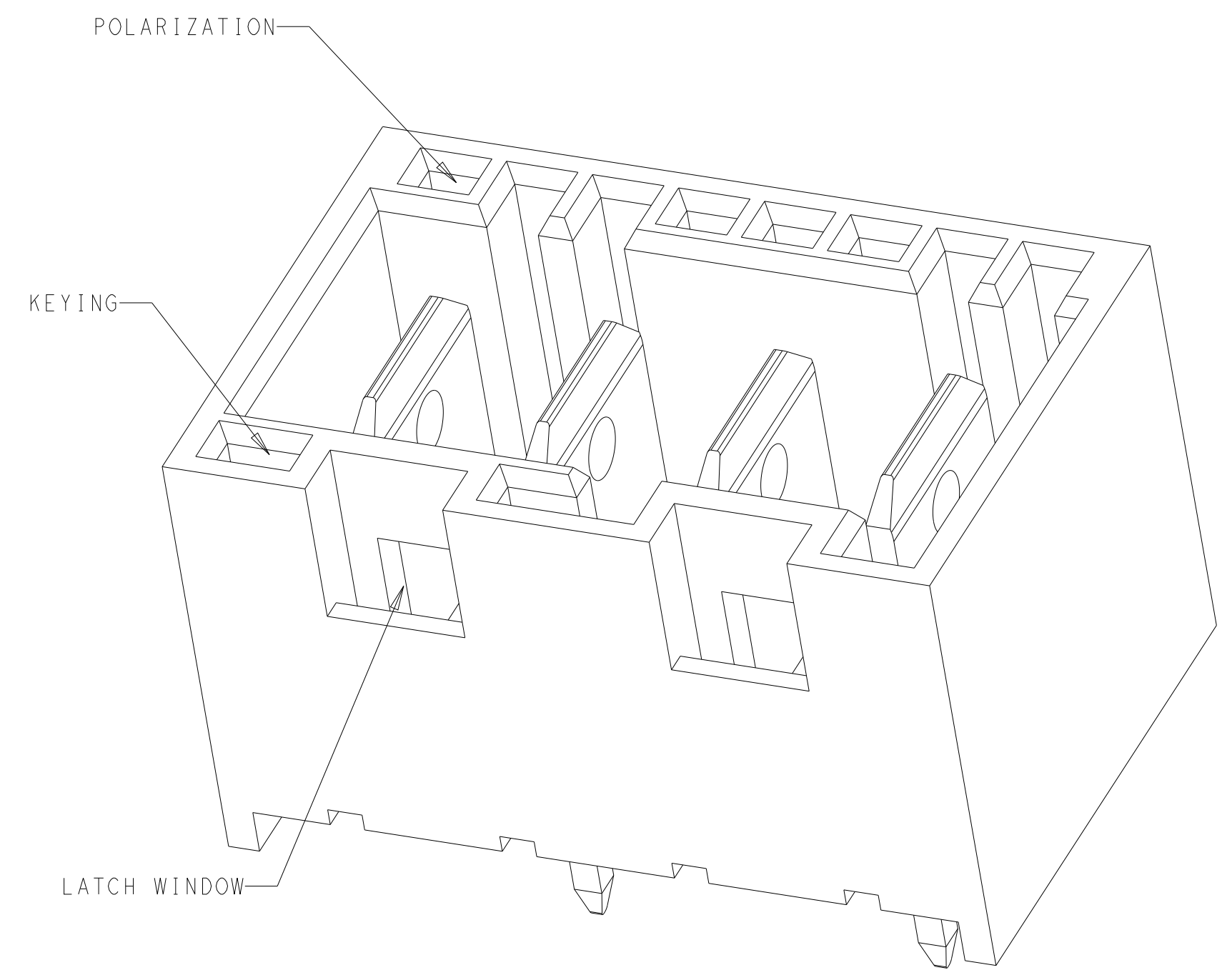
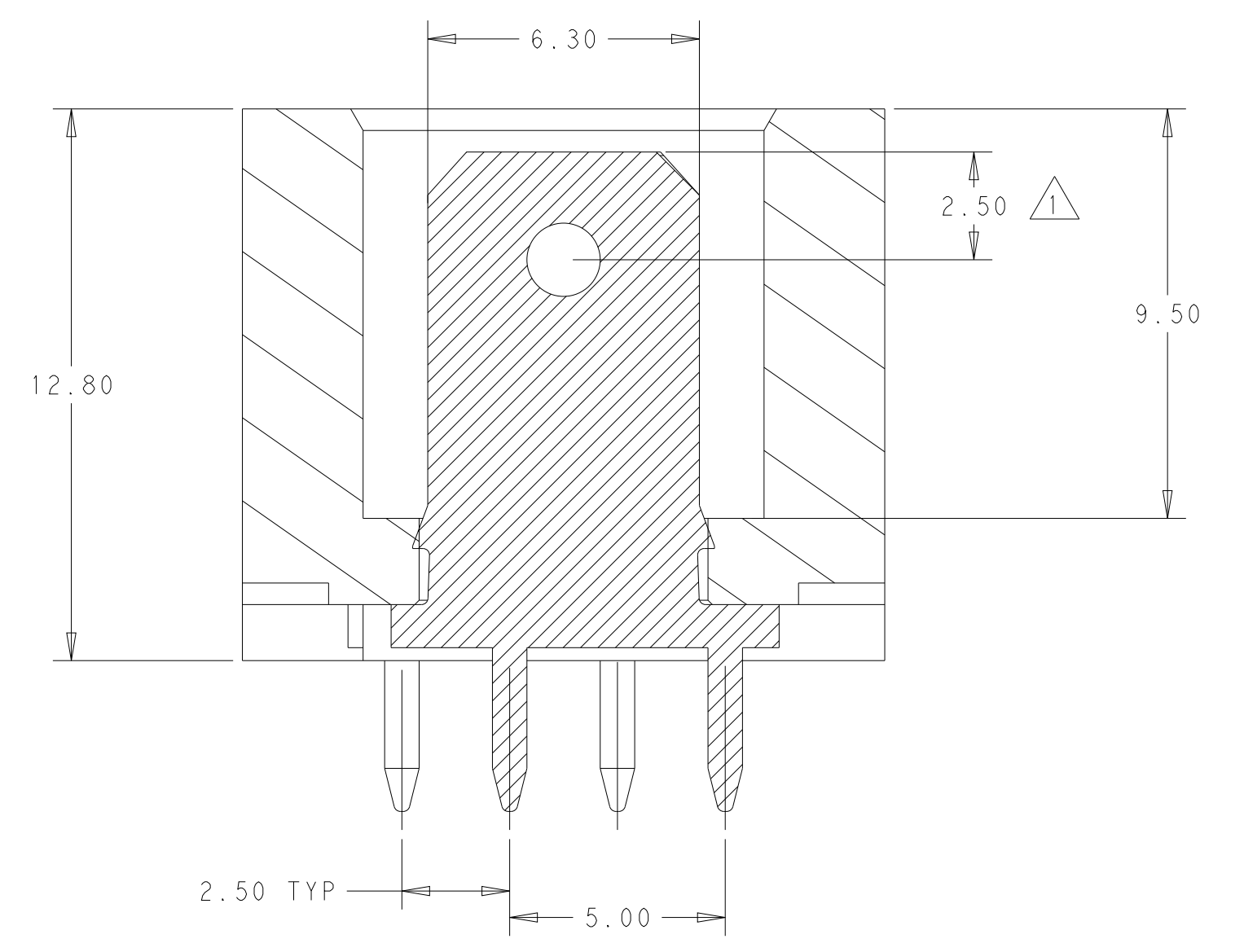
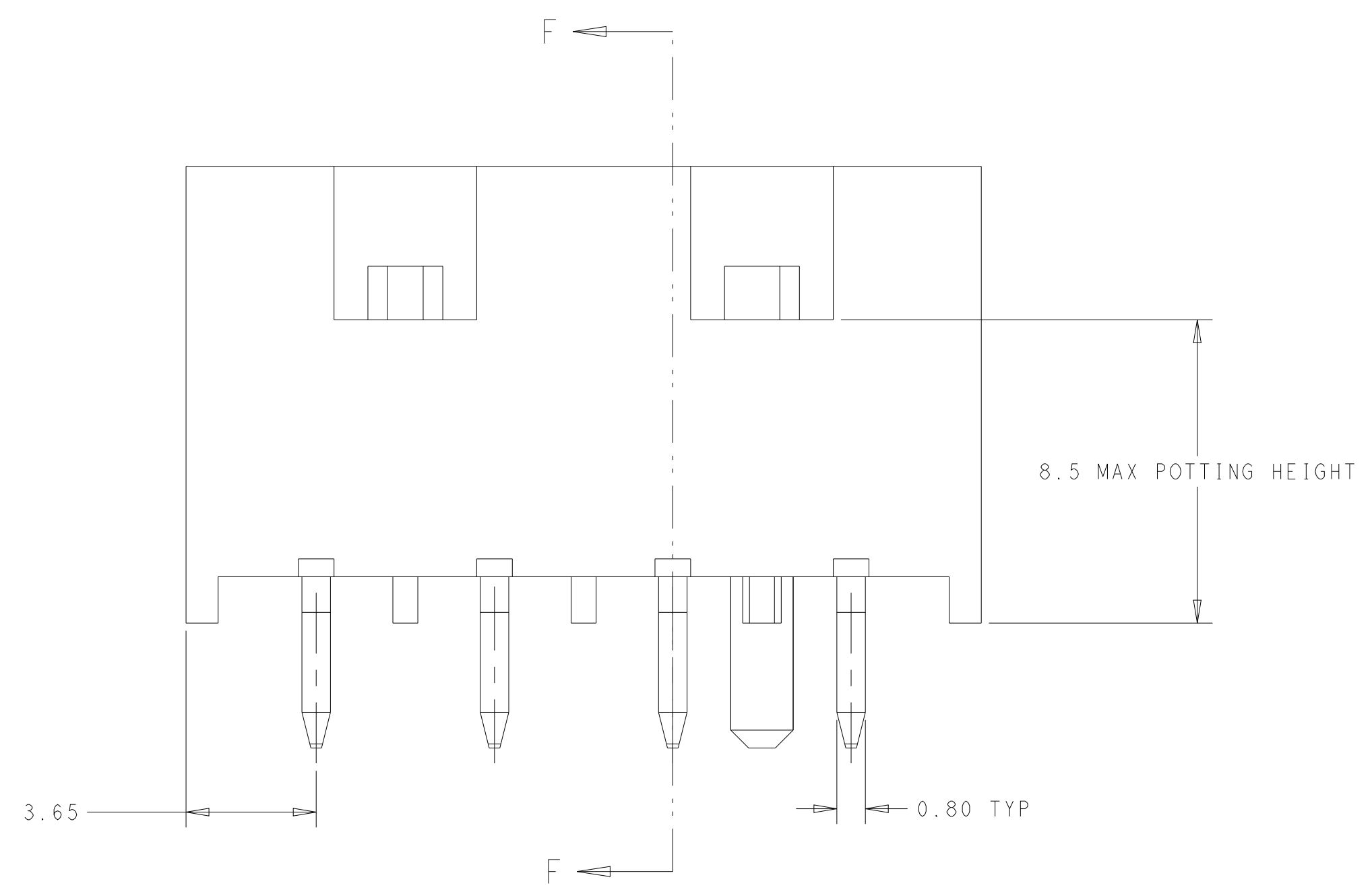
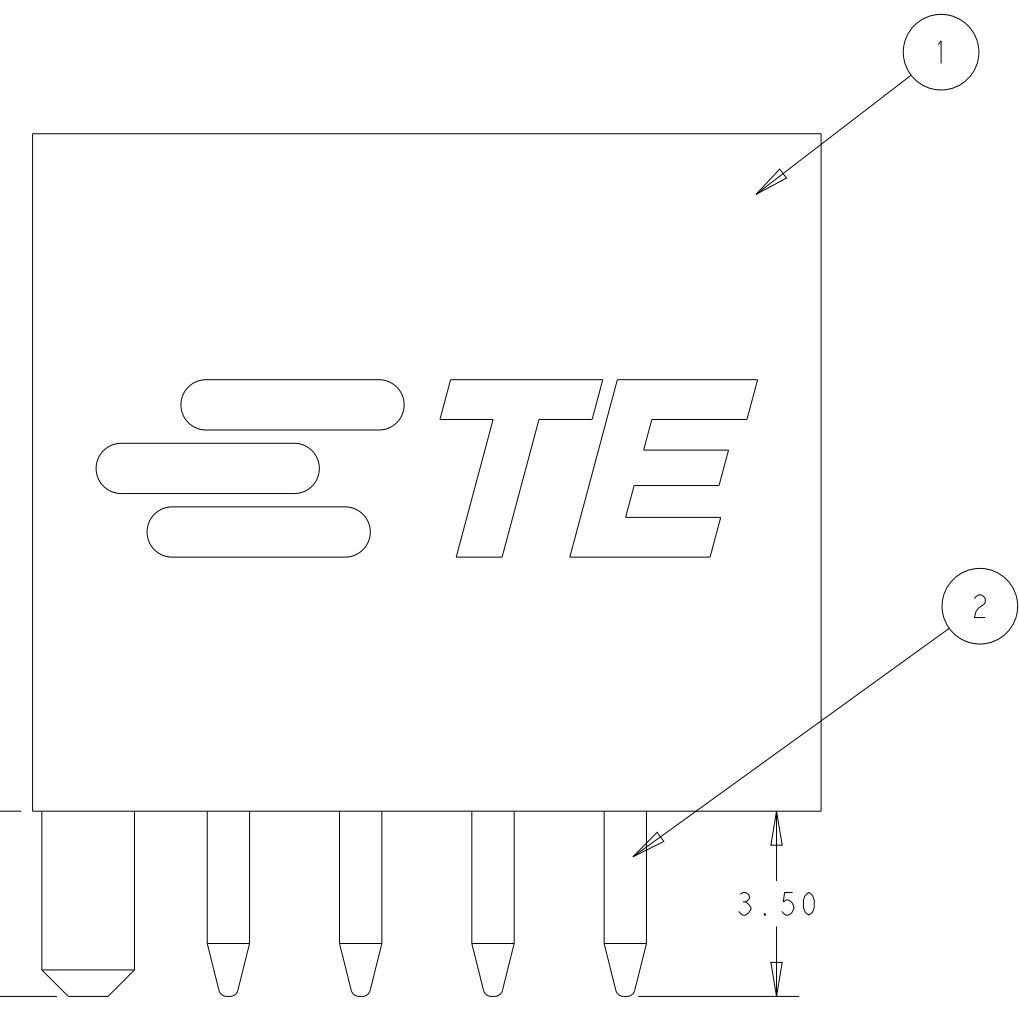


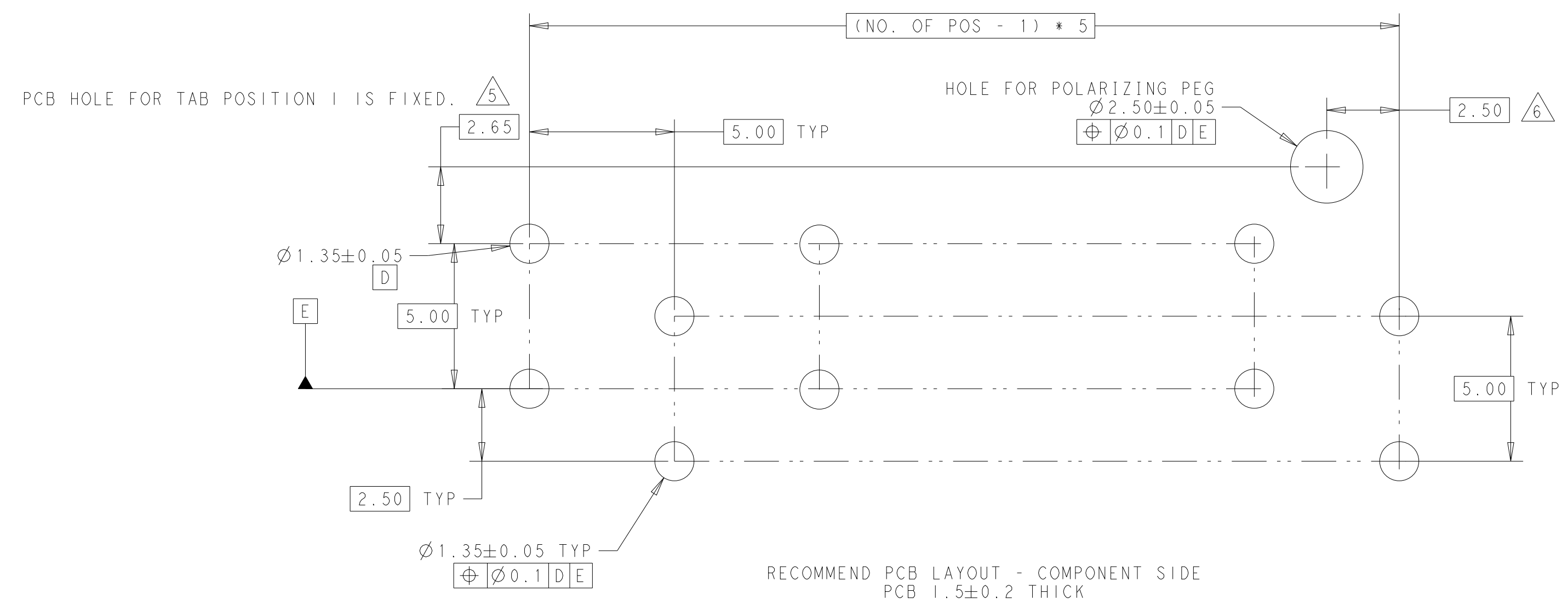
REVISIONS					
P	LTM	DESCRIPTION	DATE	DWN	APVD
A6	ECR-20-100547		16OCT2020	LZ	FL
B	ECR-21-100869		31MAR2021	PJ	FL
B1	ECR-21-105673		06JUL2021	LZ	FL
B2	ECR-21-118862		10NOV2021	SM	FL



- NOTES:
- 1 HOUSING HAS RAST 5 COMPLIANT KEYING, LATCHING, AND POLARIZATION TAB IS 6.30 X 0.8, HOWEVER THE LOCATION OF THE TAB HOLE DOES NOT MEET DIN 46244
  - 2 SEE SHEET 2 FOR AVAILABLE CONFIGURATIONS
  - 3 MATERIAL: HOUSING, NYLON, UL94 V0, 750°C GWT NO FLAME  
CONTACT: COPPER ALLOY, 0.8MM THICK
  - 4 FINISH: CONTACTS, MATTE TIN PLATING OVERALL, NICKEL UNDER-PLATING
  - 5 INVOLVED PARTS NOT HAVE THE SAME PCB LAYOUT AS GENERAL VERSION. PCB TABS INSERTED IN A STAGGERED PATTERN BEGINNING WITH POSITION 1 AS SHOWN (PCB HOLE POSITION FOR TAB 1 IS FIXED).
  - 6 DIMENSION OFF OF LAST POSITION REGARDLESS OF EVEN OR ODD POSITION HEADER
  - 7 PACKAGING: LOOSE PIECE
  - 8 PRELIMINARY PART - NOT RELEASED FOR PRODUCTION THIS PRODUCT HAS NOT COMPLETED QUALIFICATION TESTING
  - 9 INVOLVED PARTS HAVE NOT THE SAME PCB LAYOUT



SECTION F-F



TOOL MARK ON TERMINAL SURFACE IS ACCEPTABLE WHICH DOES NOT IMPACT FUNCTION

25.30	27.30	5
20.30	22.30	4
15.30	17.30	3
10.30	12.30	2
M	N	NO. OF POS.

THIS DRAWING IS A CONTROLLED DOCUMENT.

DIMENSIONS: mm

TOLERANCES UNLESS OTHERWISE SPECIFIED:

0 PLC	±
1 PLC	±0.25
2 PLC	±
3 PLC	±
4 PLC	±
ANGLES	±3°
FINISH	

MATERIAL: SEE NOTES

THIS DRAWING IS A CONTROLLED DOCUMENT. DWN: J. POTERJOY 09APR2015, CHK: F. LUPO 09APR2015, APVD: R. ROBONE 09APR2015

NAME: RAST 5 HDR ASSY, POSITIVE-LOCK SHROUDED, VERTICAL

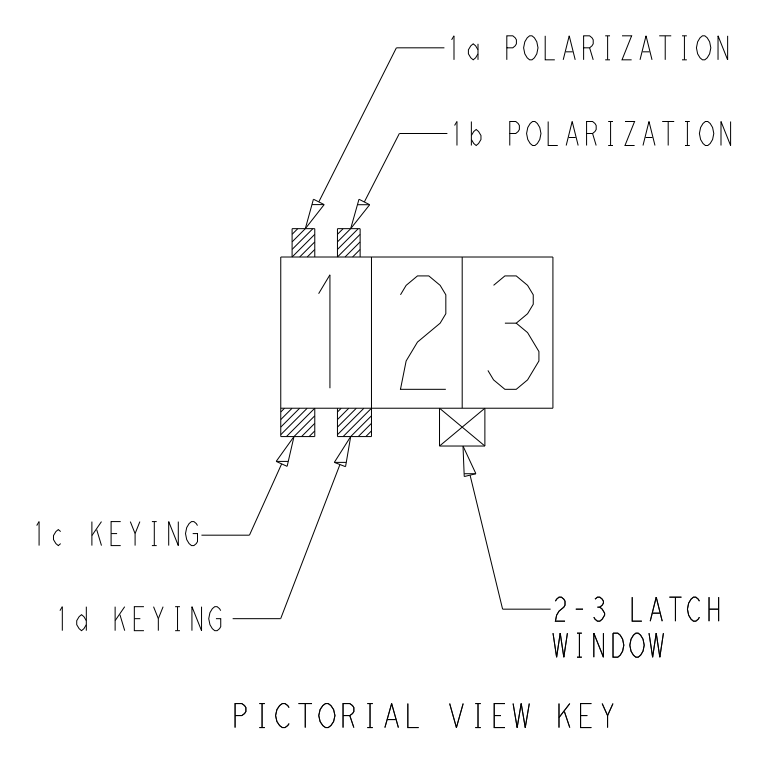
SIZE: A1, CAGE CODE: - , DRAWING NO: 108-106080, APPLICATION SPEC: -

WEIGHT: -

CUSTOMER DRAWING

SCALE: 7:1, SHEET: 1 OF 2, REV: B2

REVISIONS				
P	LTN	DESCRIPTION	DATE	APVD
-	SEE SHEET 1			



	NATURAL	5	POSITIVE-LOCK TAB CONTACT WITH MATTE TIN PLATING	1	RAST 5 TAB HEADER HOUSING	5	1-2292457-5	/
	NATURAL	5					2292457-5	/
	NATURAL	4					3-2292457-4	3-2390868-4
	NATURAL	4					1-2292457-4	/
	NATURAL	4					2292457-4	2390868-4
	NATURAL	3					1-2292457-3	/
	NATURAL	3					2292457-3	2390868-3
	BLACK	2					3-2292457-2	/
	NATURAL	2					1-2292457-2	1-2390868-2
	NATURAL	2					2292457-2	2390868-2
LAYOUT	COLOR	QTY	TAB CONTACT	QTY	HEADER HOUSING	NO. OF POS	RESIN A	RESIN B
							TE PART NO.	

THIS DRAWING IS A CONTROLLED DOCUMENT.

DIMENSIONS: mm  
 TOLERANCES UNLESS OTHERWISE SPECIFIED:  
 0 PLC ±  
 1 PLC ±  
 2 PLC ±0.25  
 3 PLC ±  
 4 PLC ±  
 ANGLES ±3°  
 FINISH SEE NOTES

DWN J. POTERJOY 09APR2015  
 CHK F. LUPO 09APR2015  
 APVD R. ROBONE 09APR2015

**TE** TE Connectivity  
 NAME RAST 5 HDR ASSY, POSITIVE-LOCK SHROUDED, VERTICAL  
 PRODUCT SPEC 108-106080  
 APPLICATION SPEC

MATERIAL SEE NOTES  
 WEIGHT -  
 CUSTOMER DRAWING

SIZE A1  
 CAGE CODE -  
 DRAWING NO. C=2292457  
 RESTRICTED TO

SCALE 7:1 SHEET 2 OF 2 REV B2