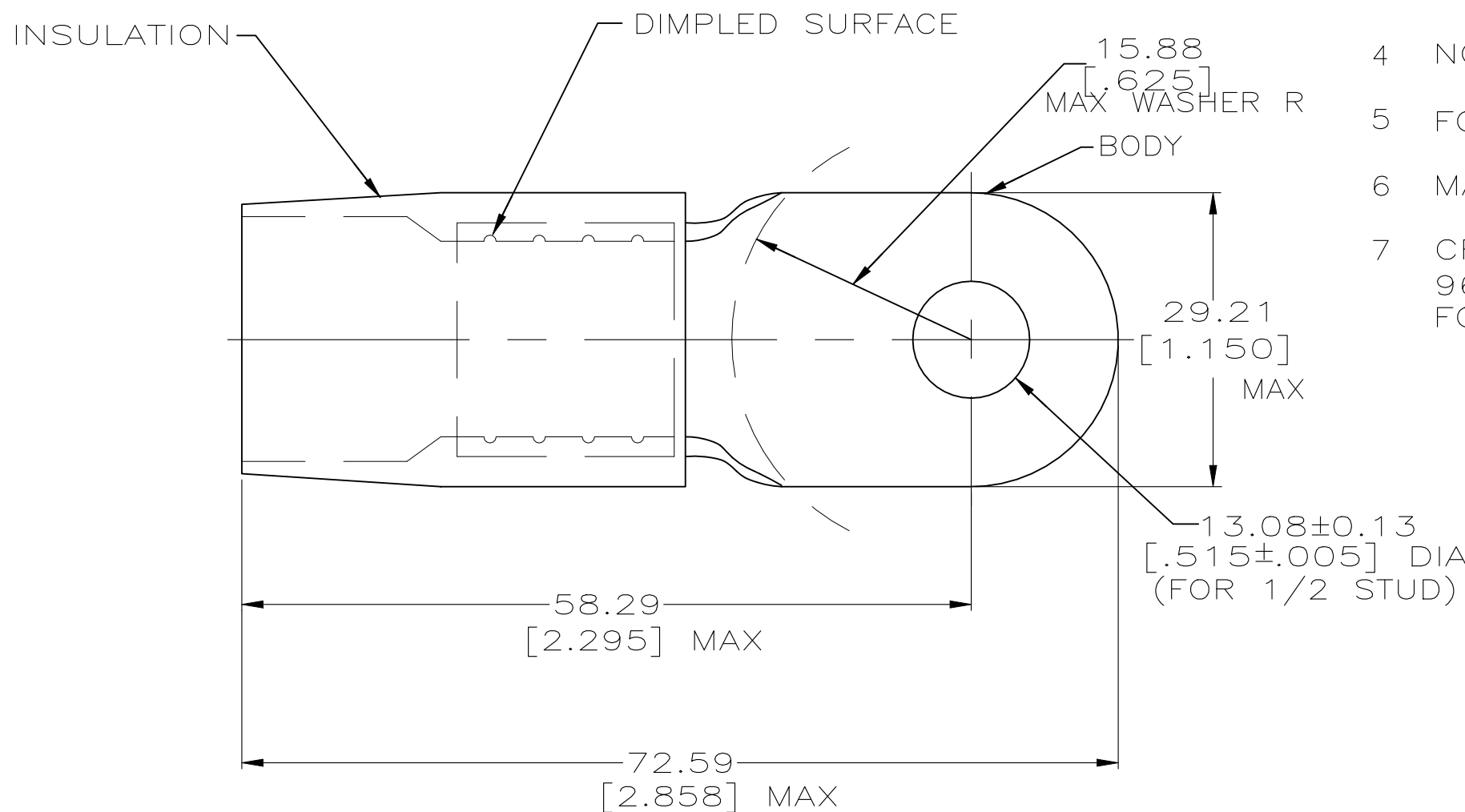


REVISIONS					
P	LTR	DESCRIPTION	DATE	DWN	APVD
	L2	REV PER ECN-22-150900	28APR2022	RK	CSD

AMP WIRE RANGE
4/0 AWG STRANDED

1. TONGUE MATERIAL THK 2.59 ± 0.08
[.102 ± .003]
- △ 2 MATERIAL: BODY - COPPER PER ASTM B-152
INSULATION - NYLON
MIL-M-20693, TYPE 1
- △ 3 FINISH: BODY - TIN PLATE PER ASTM B-545
INSULATION - COLOR BLUE
- 4 NOTE DELETED
- 5 FOR 19.43 [.765] MAX WIRE INS DIA
- 6 MAX OPERATING TEMP IS 105°C
- 7 CROSS SECTIONAL AREA RANGE IS
96.3-117mm² [190,000-231,000] CMA
FOR STRANDED WIRE.



-	LOOSE PC	324188
QTY	PACKAGE TYPE	PART NUMBER

THIS DRAWING IS A CONTROLLED DOCUMENT.		DWN	SS GOULDEN	6/93	STE TE Connectivity		
DIMENSIONS: MM [INCHES]		CHK	R HERSEY	6/93			
TOLERANCES UNLESS OTHERWISE SPECIFIED:		APVD	JL MECKLEY	6/93	NAME		
0 PLC ± -		PRODUCT SPEC	TERMINAL, RING TONGUE, TERMINYL			WIRE SIZE: 4/0	
1 PLC ± -		APPLICATION SPEC	-			-	
2 PLC ± 0.20 [.008]		WEIGHT	-			SIZE	CAGE CODE
3 PLC ± -		MATERIAL	-			DRAWING NO	RESTRICTED TO
4 PLC ± -			-			A300779	C-324188
ANGLES ± -		FINISH	-			SCALE	SHEET
MATERIAL			-			NTS	1 OF 1
△ 2		CUSTOMER DRAWING			REV	L2	
△ 3							