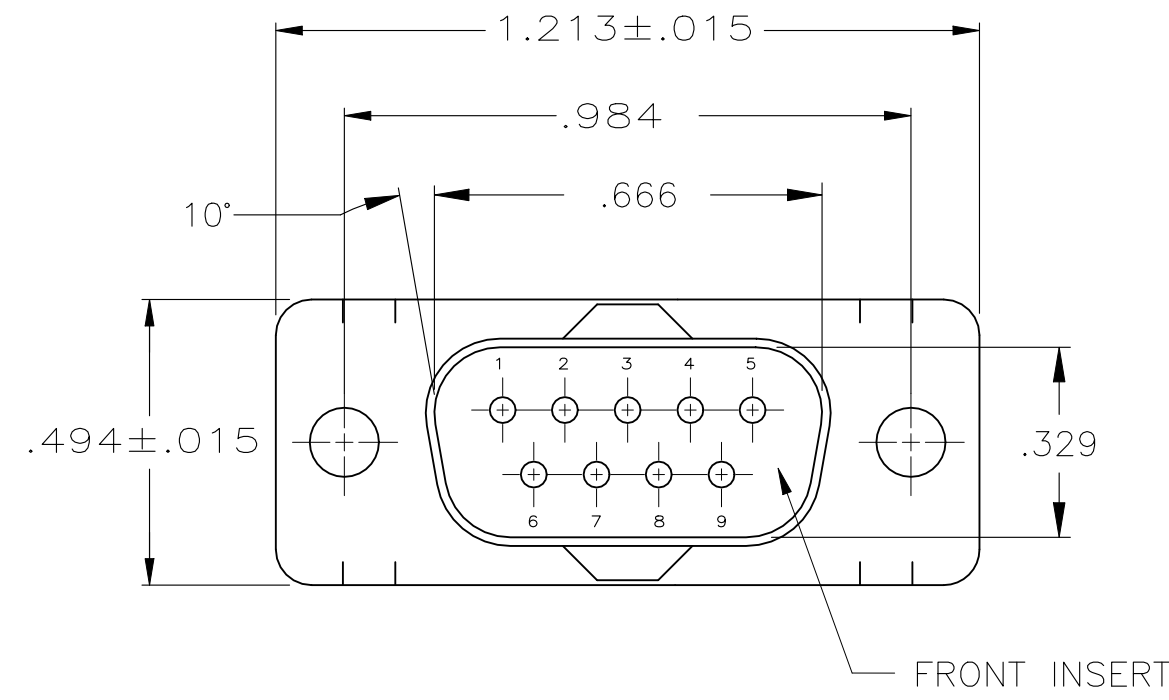
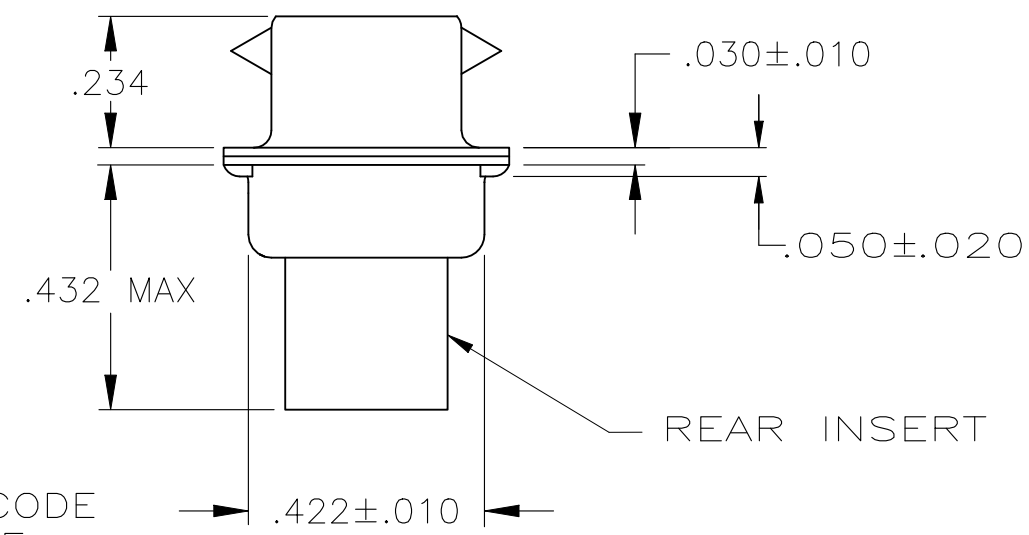
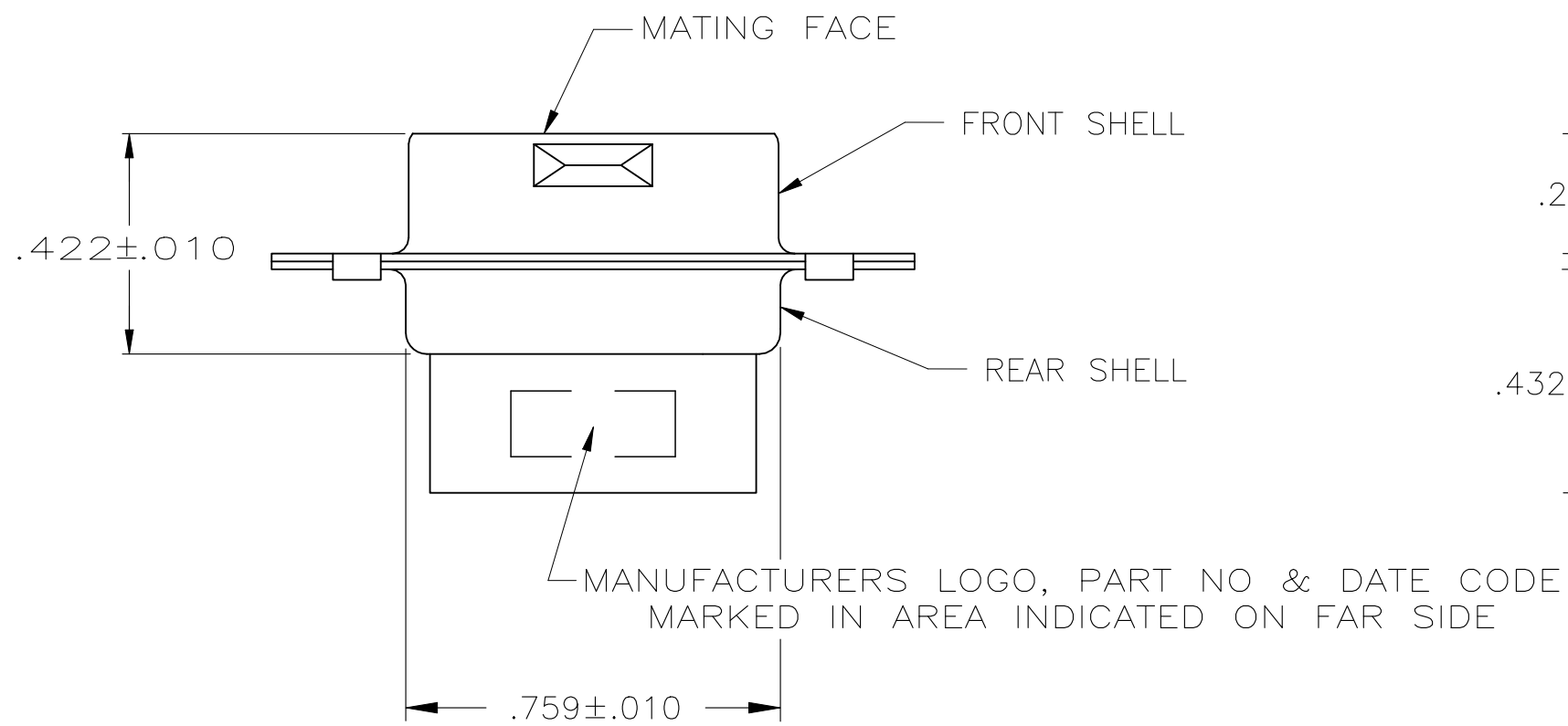


REVISIONS					
P	LTR	DESCRIPTION	DATE	DWN	APVD
B		REVISED PER ECO-21-002934	02JUN2021	AK	SZ



- 1 CONNECTOR ACCEPTS SIZE 20 DF PIN CONTACTS, RETENTION TINES ARE AN INTEGRAL PART OF INSERT.
- 2 INSERTS: GLASS-FILLED PBT OR GLASS-FILLED NYLON, UL94V-0 RATED. COLOR: BLACK. SHELLS: CARBON STEEL.
- 3 SHELLS: ZINC PLATED .000200-.000400 THICK, YELLOW CHROMATE COATING.
- 4 MAXIMUM WIRE INSULATION RECOMMENDED FOR USE WITH THIS PLUG IS .068 DIA MAX.



O B S O L E T E

OBSOLETE 5745018-1
PART NO

THIS DRAWING IS A CONTROLLED DOCUMENT.		DWN J.GERACE FEB2206		
DIMENSIONS: INCHES		CHK C.ROHDE 22FEB06		
TOLERANCES UNLESS OTHERWISE SPECIFIED:		APVD M.WALMSLEY 22FEB06	NAME PLUG CONNECTOR, SIZE 1, 9 POS, AMPLIMITE HDP	
0 PLC ± -	1 PLC ± -	PRODUCT SPEC	SIZE A2	CAGE CODE 00779
2 PLC ± -	3 PLC ± .005	APPLICATION SPEC	DRAWING NO C=5745018	RESTRICTED TO -
4 PLC ± -	ANGLES ± -	FINISH	WEIGHT 0.000000	SCALE 4:1
MATERIAL	FINISH	CUSTOMER DRAWING	SHEET 1 OF 1	REV B