

FLS-PP Ip

Data sheet

- ZigBee Light Link certified ballast for RGB / W light control
- operation with mobile devices via the RaspBee gateway or wireless switches of dresden elektronik possible
- with gateways from Philips (Hue Bridge) and OSRAM (Lightify) compatible
- for LED strips with common anode



Technical Data



Electrical specifications

Input	12 / 24 V DC
Output	PWM sum current ≤ 6 A, Switch-off at limit value exceeded
Standby energy consumption	< 0.35 W
Frequency range	2.4 GHz
Radio standard	IEEE 802.15.4



Environmental information

Storage temperature	-20 °C - 55 °C
Operating temperature	-20 °C - 55 °C



Compatibility

Protocol	ZigBee
Profile	ZigBee Light Link

Particular markers

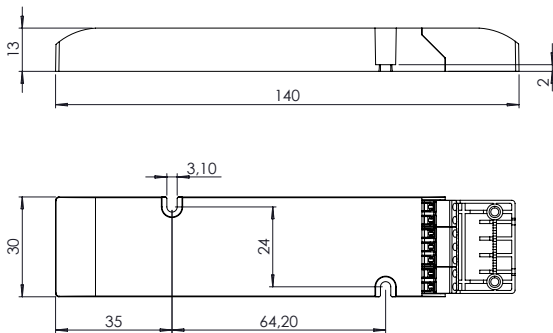


Further information

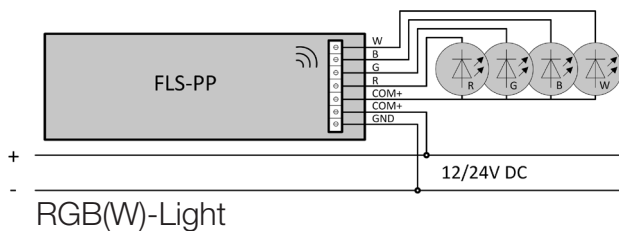
This product contains FCC-ID: XVV-MEGA23M12.

Hereby, dresden elektronik ingenieurtechnik gmbh declares that the radio equipment type FLS-PP Ip is in compliance with directive 2014/53/EU. The full text of the EU declaration of conformity is available at the following internet address: www.dresden-elektronik.de

Dimensions in mm

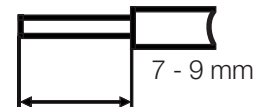


Connection diagram



Wire cross-section

wire preparation
0.2 - 0.75 □



Warranty

This product is quality-tested and provided with the statutory warranty period of 24 months from the date of purchase. Please keep the invoice as proof of purchase.

Scope of delivery

FLS-PP Ip

BN-600057

Contact

dresden elektronik ingenieurtechnik gmbh
Enno-Heidebroek-Str. 12
01237 Dresden | Germany

Tel: +49 351 31850-0 Fax: -10
wireless@dresden-elektronik.de
www.dresden-elektronik.de