

THE INFORMATION CONTAINED HEREIN IS CONSIDERED "PROPRIETARY" TO BEL FUSE INC. AND SHALL NOT BE COPIED, REPRODUCED OR DISCLOSED WITHOUT THE WRITTEN APPROVAL OF BEL FUSE INC.

LED2 POLARITY			LED1 POLARITY		
PIN 19	PIN 20	COLOR	PIN 21	PIN 22	COLOR
-	+	GREEN	-	+	YELLOW

PRELIMINARY

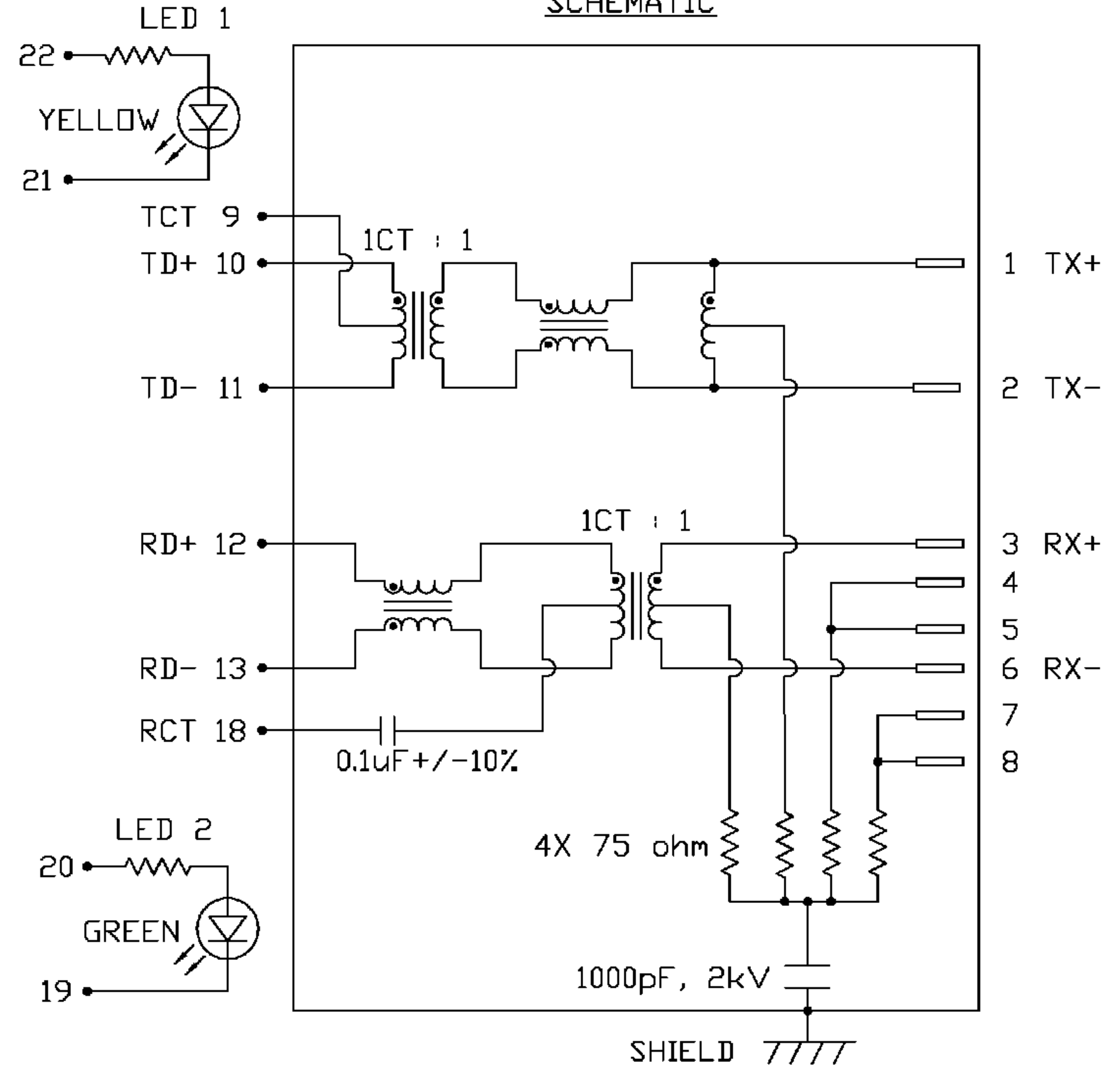
RoHS  
2002/95/EC



**ELECTRICAL CHARACTERISTICS @ 25°C**

<b>URNS RATIO</b> TX RX <b>QCL @ 100kHz,100mVRMS</b> 8mA DC BIAS <b>INS. LOSS</b> 100KHz TO 100MHz <b>RET. LOSS (MIN)</b> 1MHz-30MHz 30MHz-60MHz 60MHz-80MHz <b>CM TO CM REJ</b> 100kHz - 100MHz 100MHz - 130MHz <b>CM TO DM REJ</b> 100kHz - 100MHz <b>CROSS TALK</b> 1MHz - 65MHz 65MHz - 100MHz <b>HIPOT (Isolation Voltage):</b> <b>LEAKAGE INDUCTANCE</b> PRIMARY W/ SECONDARY <b>INTERWINDING CAPACITANCE</b> PER CHANNEL (PRI. TO SEC.) <b>DC RESISTANCE</b> (RJ1-RJ2)=(RJ3-RJ6) <b>LED 1</b> VF (FORWARD VOLTAGE) λD (DOMINANT WAVELENGTH) <b>LED 2</b> VF (FORWARD VOLTAGE) λD (DOMINANT WAVELENGTH) <b>USB ELECTRICAL:</b> INSULATION RESISTANCE: CONTACT RESISTANCE: DIELECTRIC WITHSTANDING:	1CT : 1CT ±3% 1CT : 1CT ±3% 350uH MIN -1.0 dB MAX -20 dB -[19-20LOG(F/30MHz)] dB -12 dB -30 dB MIN -20 dB MIN -35 dB MIN -35 dB MIN -30 dB MIN 1500 Vrms or 2250VDC 0.3uH Max. @ 1MHz 30pF Max @ 1MHz 1.2 ohms Max IF=20mA YELLOW 2.1V TYP. IF=20mA YELLOW 590nm TYP. IF=20mA GREEN 2.2V TYP. IF=20mA GREEN 565nm TYP. 1000 MEGA Ω (MIN) 25 MILLI Ω (MAX) 750 VAC
---	---

**SCHEMATIC**



ORIGINATED BY	DATE	TITLE	PART NO. / DRAWING NO.	STANDARD DIM. TOL. IN INCH	[ ] METRIC DIM. AS REFERENCE
CHUNG	04-17-06	MagJack® Combo (Staggered pin)	C893-1AX1-E1	.X	UNIT : INCH [mm] REV. : PE
DRAWN BY	DATE		FILE NAME	.XX	SCALE : N/A SIZE : A4
DE	04-17-06		C8931AX1E1PE.DWG	.XXX	⊕ PAGE : 2

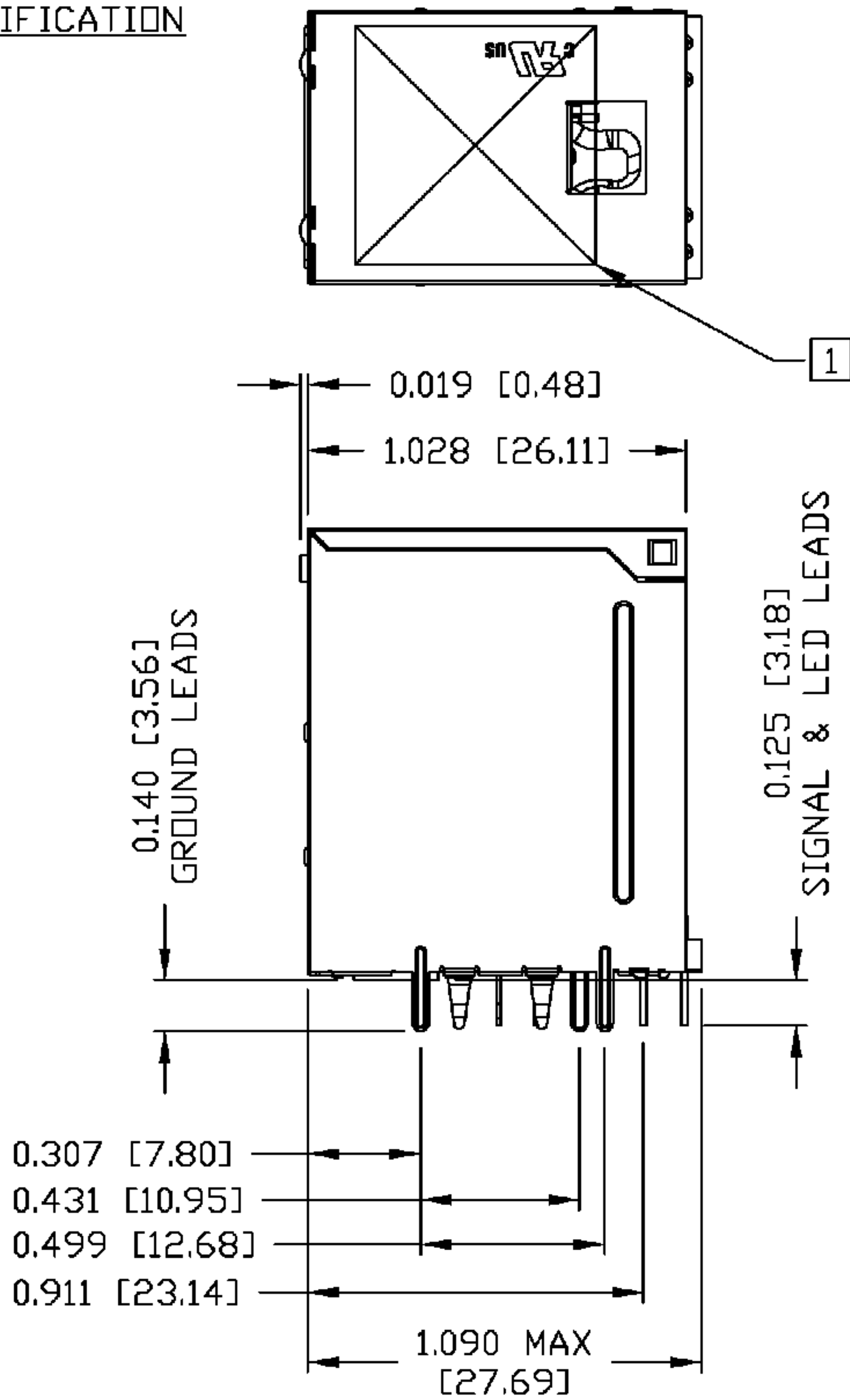
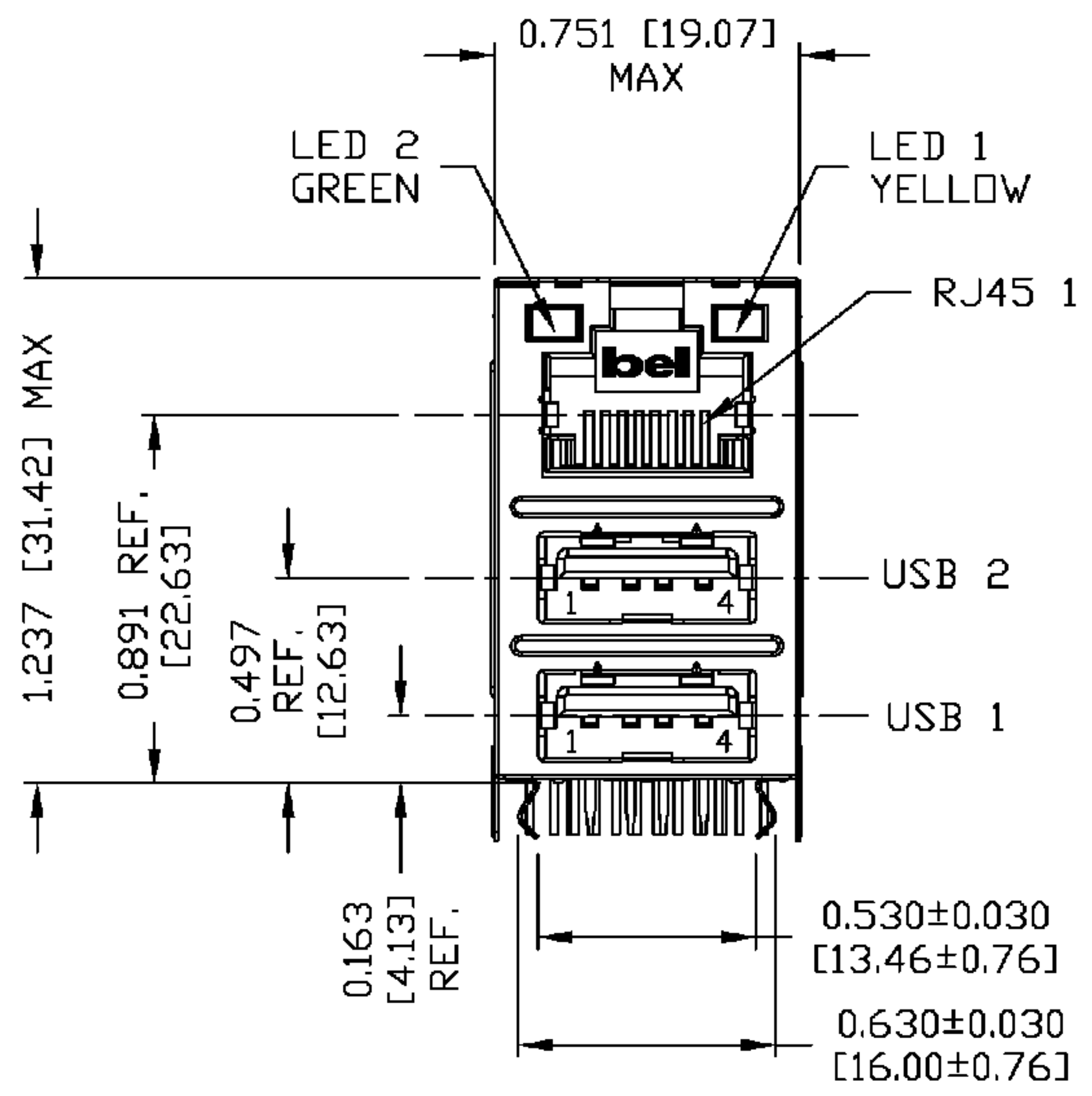


THE INFORMATION CONTAINED HEREIN IS CONSIDERED "PROPRIETARY" TO BEL FUSE INC. AND SHALL NOT BE COPIED, REPRODUCED OR DISCLOSED WITHOUT THE WRITTEN APPROVAL OF BEL FUSE INC.



PRELIMINARY

MECHANICAL SPECIFICATION



ORIGINATED BY QIN	DATE 04-17-06	TITLE MagJack® Combo (Staggered pin)	PART NO. / DRAWING NO. C893-1AX1-E1	STANDARD DIM. TOL. IN INCH	[ ] METRIC DIM. AS REFERENCE
DRAWN BY TING	DATE 04-17-06		FILE NAME C8931AX1E1PE.DWG	.X .XX .XXX ±0.010	UNIT : INCH [mm] SCALE : N/A



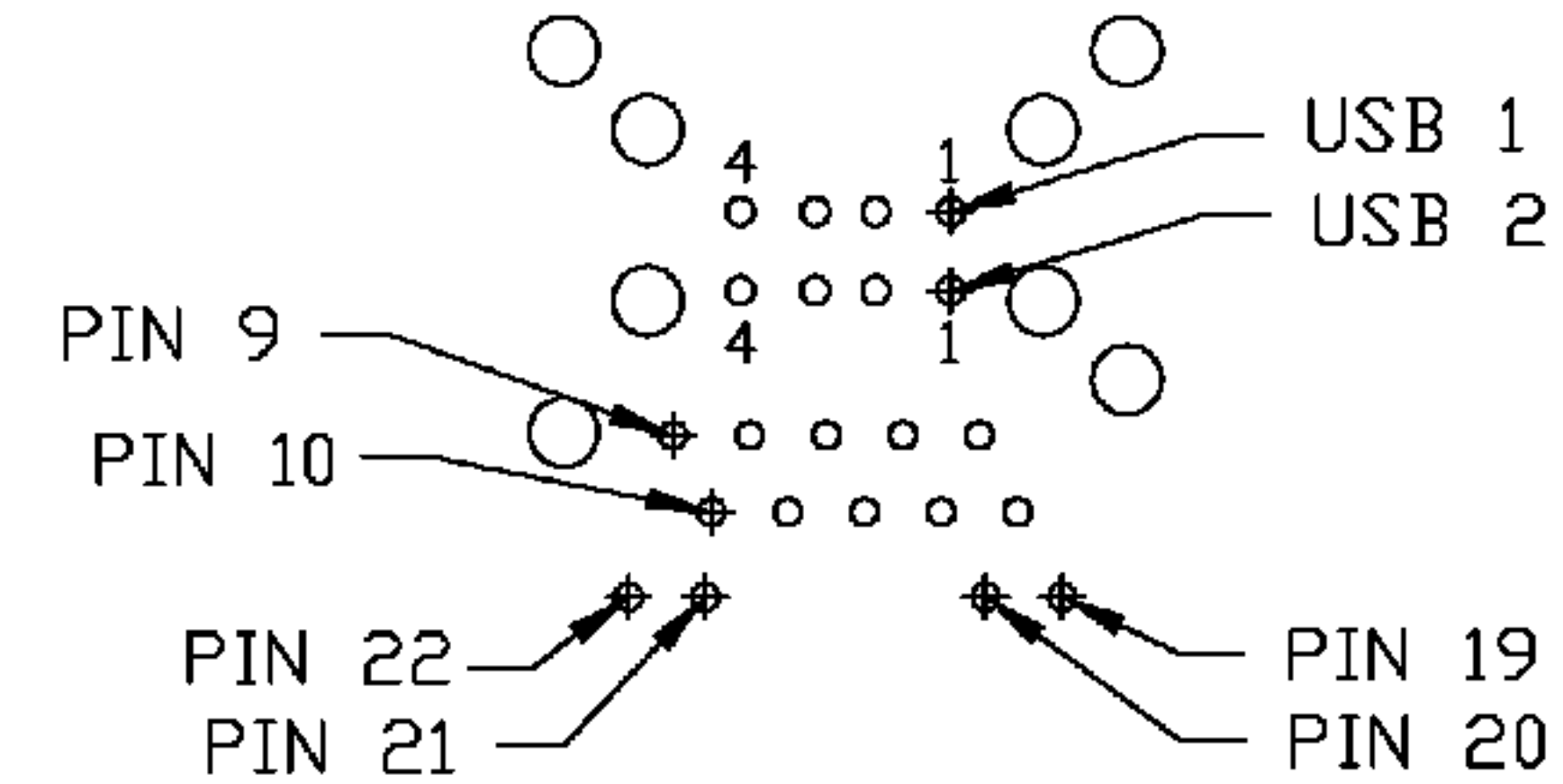
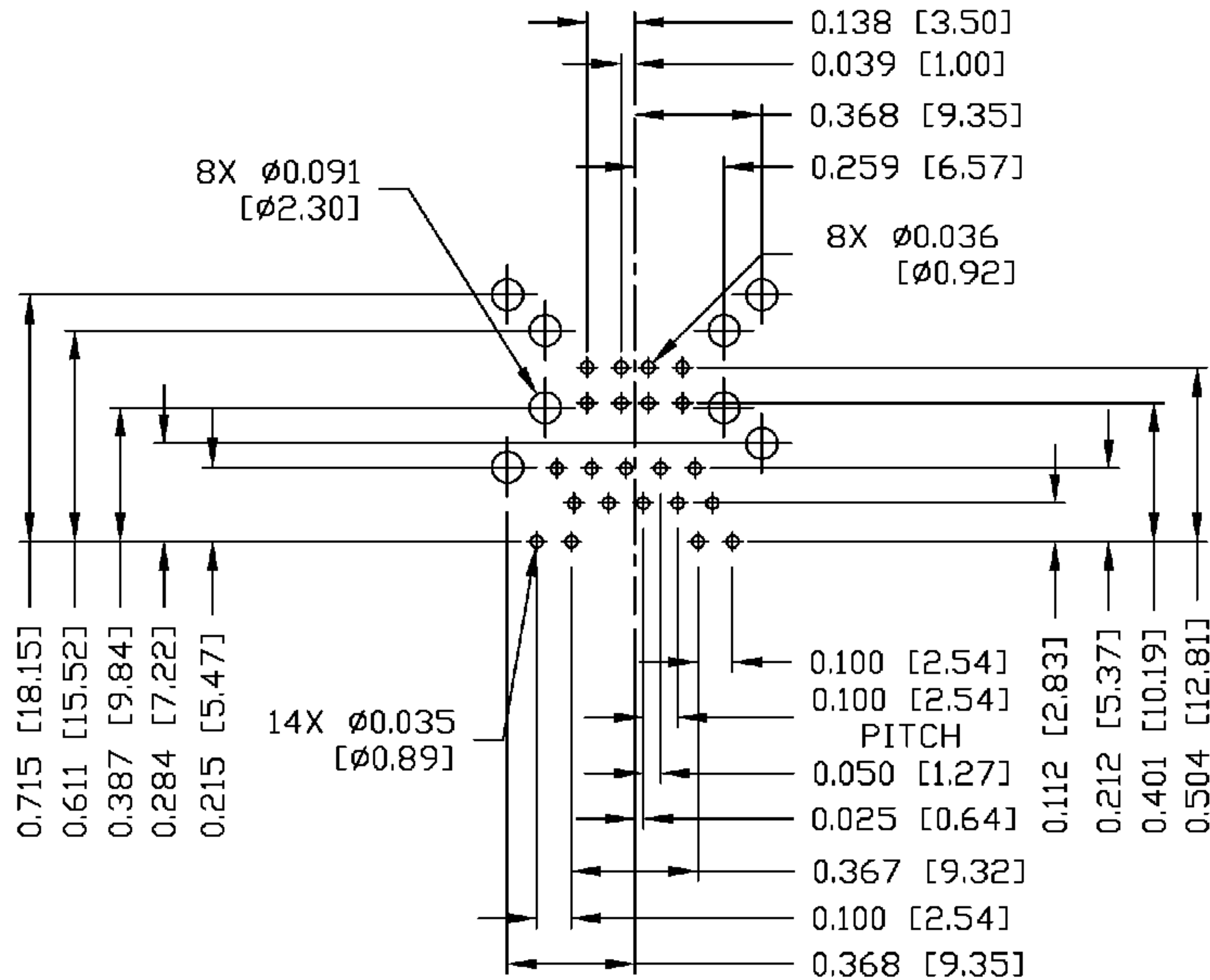
THE INFORMATION CONTAINED HEREIN IS CONSIDERED "PROPRIETARY" TO BEL FUSE INC. AND SHALL NOT BE COPIED, REPRODUCED OR DISCLOSED WITHOUT THE WRITTEN APPROVAL OF BEL FUSE INC.

RoHS  
2002/95/EC



PRELIMINARY

Recommended PCB footprint  
Component Side



RJ45 MECHANICAL:

PLASTIC HOUSING: THERMOPLASTIC PBT  
FLAMMABILITY RATING UL 94V-0  
CONTACTS PLATING: 50 MICRO-INCH HARD GOLD PLATING  
PINS: TIN-COATED CP WIRE, DIA 0.018 INCH.  
METAL SHIELD: NICKEL PLATED ON COPPER ALLOY.  
(ALL GROUND LEADS ARE SOLDER DIPPED)

USB MECHANICAL:

MATING FORCE: 35 NEWTONS MAXIMUM  
UNMATING FORCE: 10 NEWTONS MINIMUM  
CONTACT: PHOSPHOR BRONZE  
30 MICRO-INCH GOLD PLATING ON CONTACT AREA AND TIN ON SOLDER TAIL.

1. MARK PART WITH MFG LOGO, MFG NAME, PART NUMBER, AND DATE CODE.

UL RECOGNIZED - FILE #E196366 AND E169987.

RoHS COMPLIANCE, PER EU DIRECTIVE 2002/95/EC.

JACK CAVITY CONFORMS TO FCC RULES AND REGULATIONS.

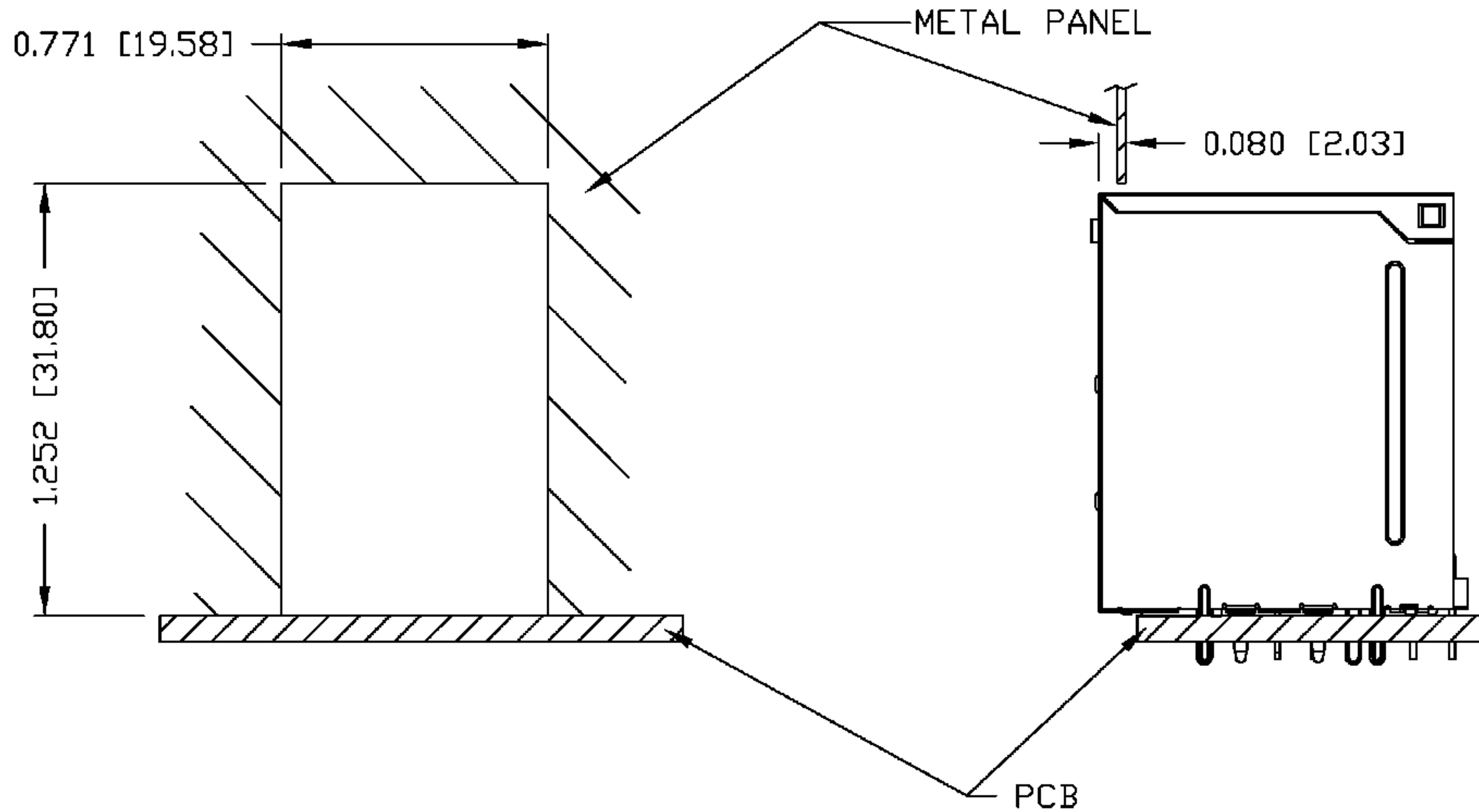
ORIGINATED BY QIN	DATE 04-17-06	TITLE MagJack® Combo (Staggered pin)	PART NO. / DRAWING NO. C893-1AX1-E1	STANDARD DIM. TOL. IN INCH	[ ] METRIC DIM. AS REFERENCE	 COMPONENTS OF A CONNECTED PLANET
DRAWN BY TING	DATE 04-17-06		FILE NAME C8931AX1E1PE.DWG	.X	UNIT : INCH [mm]	
				.XX	SCALE : N/A	
				.XXX ±0.004	REV. : PE SIZE : A4 PAGE : 4	

THE INFORMATION CONTAINED HEREIN IS CONSIDERED "PROPRIETARY" TO BEL FUSE INC. AND SHALL NOT BE COPIED, REPRODUCED OR DISCLOSED WITHOUT THE WRITTEN APPROVAL OF BEL FUSE INC.



SUGGESTED PANEL OPENING

PRELIMINARY



NOTE:

THE DISTANCE OF PANEL INSIDE SURFACE RELATIVE TO FRONT SURFACE OF PART IS ONLY A SUGGESTION. IN CASE THIS DISTANCE IS DIFFERENT, THE REQUIRED PANEL OPENING DIMENSIONS CHANGE ACCORDINGLY.

PACKING INFORMATION

PACKING TRAY : 0200-9999-H3 (TOP)  
0200-9999-H4 (BOTTOM)

PACKING QUANTITY : 35 PCS FINISHED GOODS PER TRAY  
9 TRAYS (315 PCS FINISHED GOODS) PER CARTON BOX

NOTE : CARDBOARDS ARE PLACED BETWEEN LAYERS OF PACKING TRAY INSIDE CARTON BOX  
(INCLUDE THE UPPERMOST AND LOWERMOST TRAY)

<b>ORIGINATED BY</b> QIN	<b>DATE</b> 04-17-06	<b>TITLE</b> MagJack® Combo (Staggered pin)	<b>PART NO. / DRAWING NO.</b> C893-1AX1-E1	<b>STANDARD DIM. TOL. IN INCH</b>	<b>[ ] METRIC DIM. AS REFERENCE</b>	
<b>DRAWN BY</b> TING	<b>DATE</b> 04-17-06		<b>FILE NAME</b> C8931AX1E1PE.DWG	.X .XX .XXX ±0.004	UNIT : INCH [mm] SCALE : N/A ⊕	REV. : PE SIZE : A4 PAGE : 5

