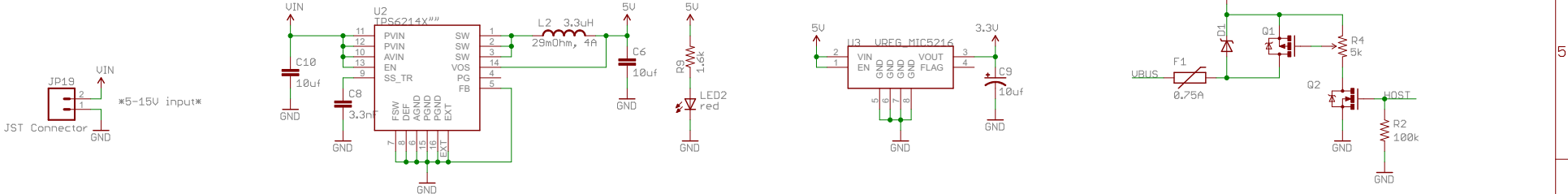
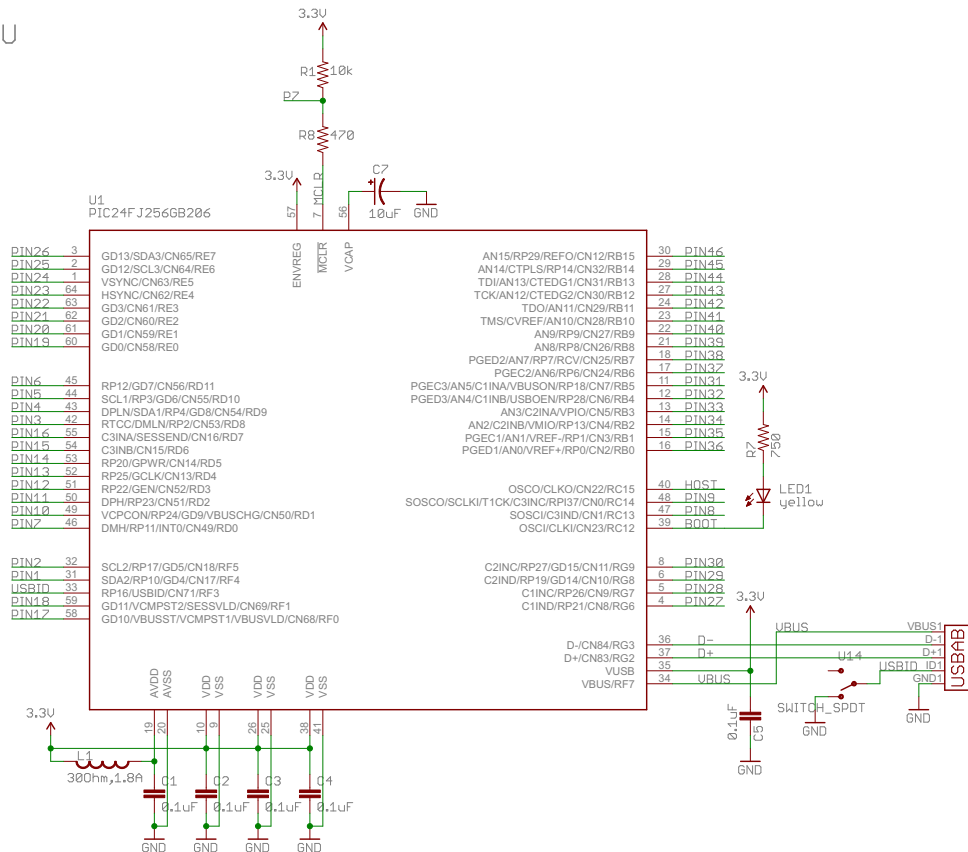


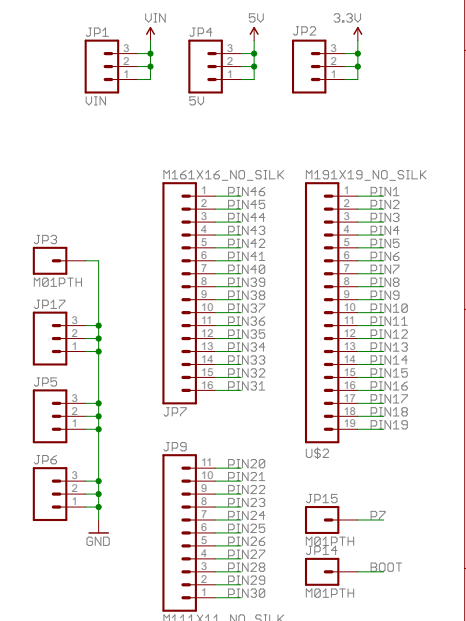
# Power Control



# MCU



# Footprint Pinout



1010 label

Released under the Creative Commons Attribution Share-Alike 3.0 License  
<http://creativecommons.org/licenses/by-sa/3.0>  
 Design by: Ytai Ben-tsivi  
 revised by: A.Kleiss

Title	I010-0T6_v21
Version:	
	2/6/2014 10:24:28 AM
Drawn By:	1/1