

SUMMARY

Wires

Low voltage	17
Coax	2



Image is for illustrative purpose only

Series	5B
Termination type	Male solder mixed / multi coax
IP rating	50
AWG wire size	22.00 - 14.00
Cable Ø	17.60 - 19.50 mm
Status	active
Matching parts	EGG.5B.877.CLL5

Download

- [Request a quote](#)
- [Catalog](#)

TECHNICAL DETAILS

Mechanics

Shell Style/Model	FG*: Straight plug, cable collet
Keying	1 key (alpha=0, plug: male contacts, receptacle: female contacts)
Housing Material	Brass (chrome plated [SAE AMS 2460]) shell and collet nut, nickel plated [SAE AMS QQ N 290] brass latch sleeve and mid pieces
Weight	313.57 g

Performance

Configuration	5B.877 : 2 Coax (75 Ohm), 17 Low V.
Insulator	L: PEEK (UL 94 / V-0/1.5)
Rated Current	

Specifications

Test voltage (kV rms):	1.4
Test voltage (kV dc):	2
Cable type:	RG 59 B/U

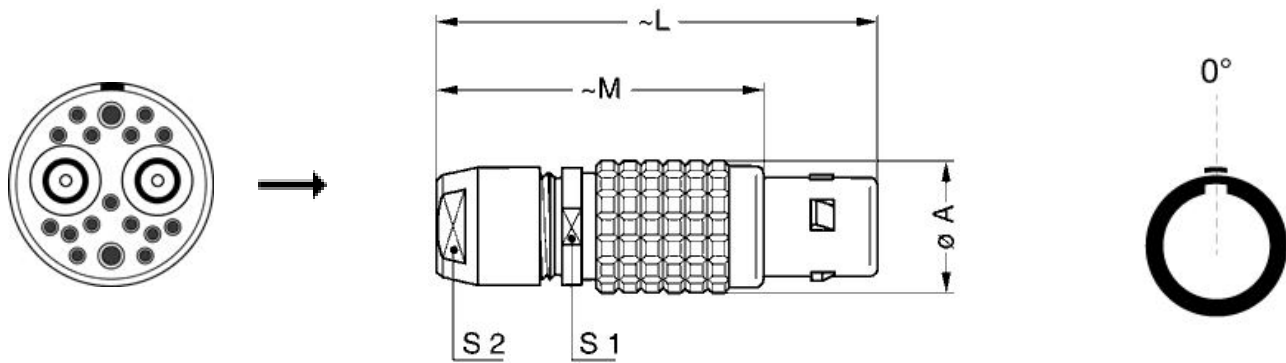
Others

Endurance (Shell):	5000
Temp (min / max):	-55° C / +250° C

LEMO products and services are provided "as is". LEMO makes no warranties or representations with regard to LEMO product & services or use of them, express, implied or statutory, including for accuracy, completeness, or security. The user is fully responsible for his products and applications using LEMO components.

Humidity (max): <=95% [at 60 deg C /140 F]
 Vibration: 15 g [10 Hz - 2000 Hz]
 Shock Resistance: 100 g [6 ms]
 Climatical Category: 50/175/21
 Shielding (min): 75 dB (10 MHz)
 Shielding (min): 40 dB (1 GHz)
 Salt Spray Corrosion: >1000 hr

DRAWINGS



Dimensions

	A	L	M	S1	S2
mm.	35	103	78	31	30
in.	1,38	4,06	3,07	1,22	1,18

RECOMMENDED BY LEMO

Tools

Extractor: [DCC.91.804.5LA](#)
 Die Tool: [DPE.99.127.0K](#)
 Caps: [BFG.5B.100.NAS](#)

LEMO products and services are provided "as is". LEMO makes no warranties or representations with regard to LEMO product & services or use of them, express, implied or statutory, including for accuracy, completeness, or security. The user is fully responsible for his products and applications using LEMO components.

Cables

LEMO products and services are provided "as is". LEMO makes no warranties or representations with regard to LEMO product & services or use of them, express, implied or statutory, including for accuracy, completeness, or security. The user is fully responsible for his products and applications using LEMO components.