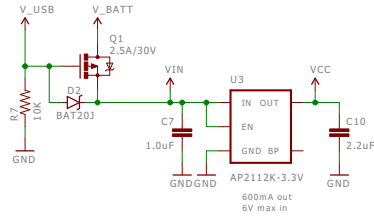
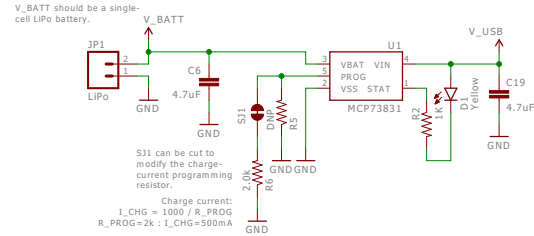


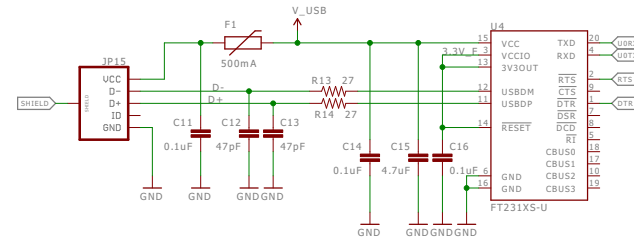
### Voltage Regulator and Battery Charger



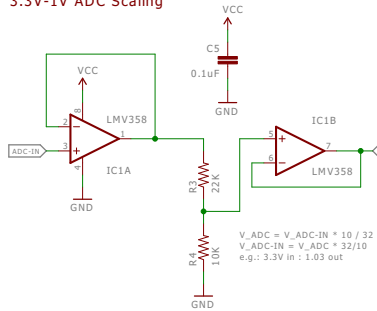
### Lithium-Polymer Battery Charger (1-cell)



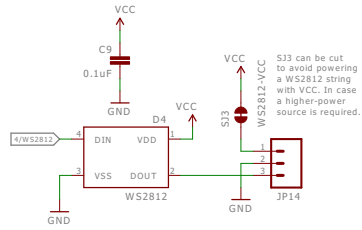
### FT231XS (USB-to-Serial Converter)



### 3.3V-1V ADC Scaling



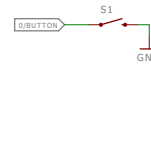
### WS2812 LED and Output



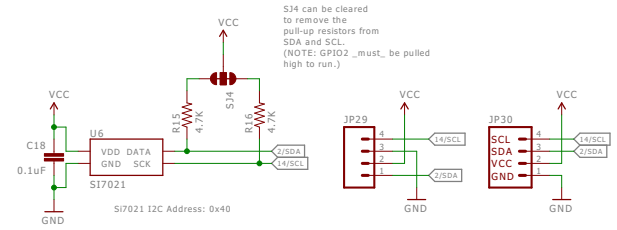
### Power LED



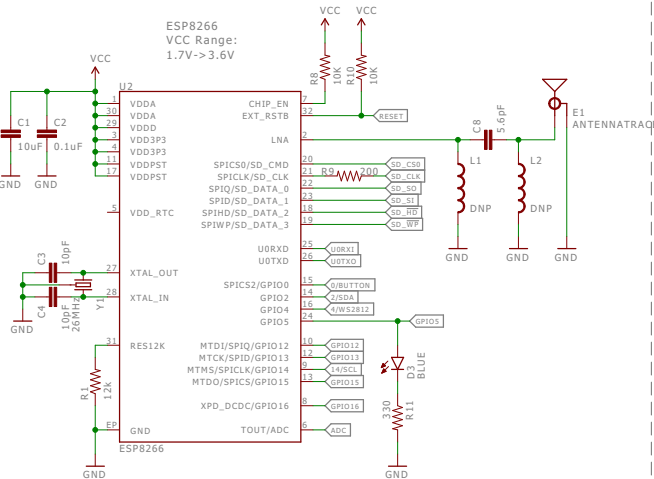
### Active-Low Button - GPIO0



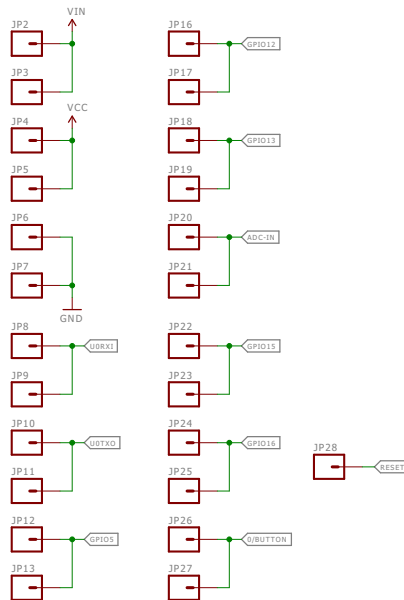
### Si7021 Temperature and Humidity Sensor & I2C Header



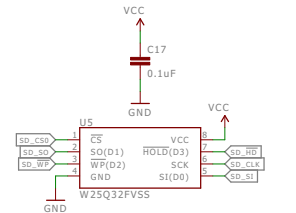
### ESP8266EX



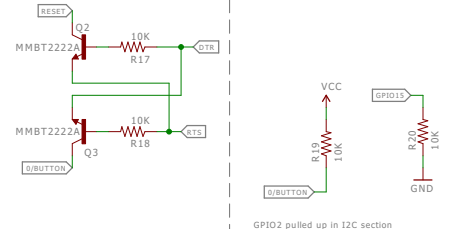
### Output Headers



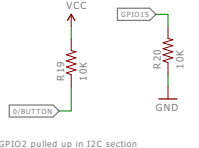
### 32 Mbit (4MB) Flash



### Auto-Reset



### Run Default Pull-Ups



Released under the Creative Commons Attribution Share-Alike 4.0 License  
<https://creativecommons.org/licenses/by-sa/4.0/>

TITLE: SparkFun-Blinky-Board-ESP8266

Design by: Jim Lindblom

Auto-reset circuit based on NodeMcu Dev Kit

Date: not saved!

REV: v10

Sheet: 1/1