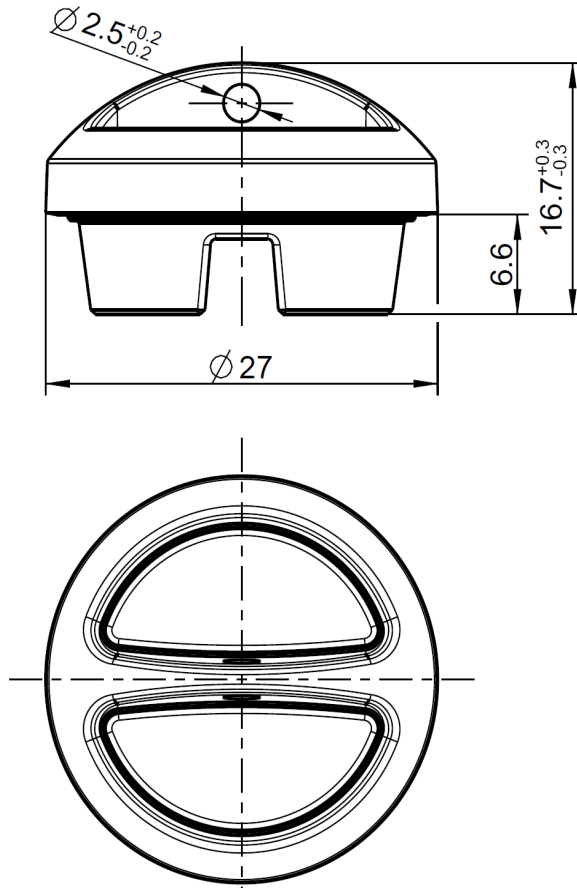


(c)

(d)



All dimensions are in mm

(c)

**Documents**

Interface

Rosenberger internal standard

(c)

**Material and plating**

**Parts**

Cover (overmolding)  
Metal plate

(e)

**Material**  
TPE  
DC 03

**Plating / Colour**

black, sim. RAL 9005  
Zinc

(c)

**Mechanical data**

Disengagement force  
Weight

≥ 5N  
~ 5.0 g/pce

(c)

**Technical Data Sheet****Rosenberger**

RoPD®

**MAGNETIC PLUG  
COVER****M4Z003-000****Environmental data**

Temperature range

-40°C to +65°C

RoHS

compliant

**Packing**

Standard

100 pcs / bag

**Change History**

Rev.	Date	Change
c00	03.12.20	- The code for the connector series changed to RoPD - Reference to ISO 2768 m-H removed - Header "Interface" removed - Surface specification "black, sim. RAL 9005" added - "Weight" moved from "Packing" to "Mechanical data"
d00	02.02.22	- Changed Title
e00	11.02.2022	- Material and plating description changed

While the information has been carefully compiled to the best of our knowledge, nothing is intended as representation or warranty on our part and no statement herein shall be construed as recommendation to infringe existing patents. In the effort to improve our products, we reserve the right to make changes judged to be necessary.

Draft	Date	Approved	Date	Rev.	Engineering change number	Name	Date
S. Schöndorfer	25.02.13	C. Biermann	11.02.22	e00	21-2496	P.Bossa	11.02.22

Rosenberger Hochfrequenztechnik GmbH & Co. KG  
P.O.Box 1260 D-84526 Tittmoning Germany  
[www.rosenberger.de](http://www.rosenberger.de)

Tel. : +49 8684 18-0  
Email : [info@rosenberger.de](mailto:info@rosenberger.de)

Page

2 / 2