

Specification:

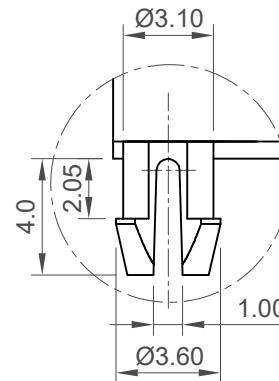
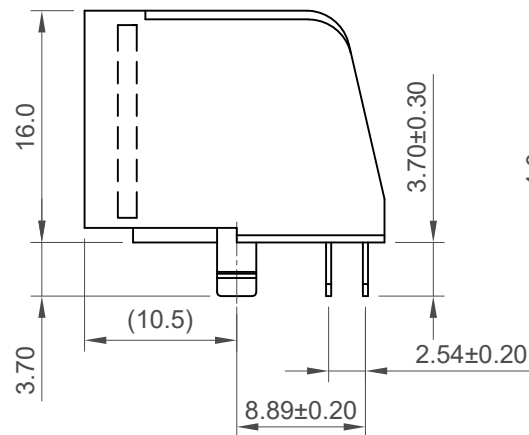
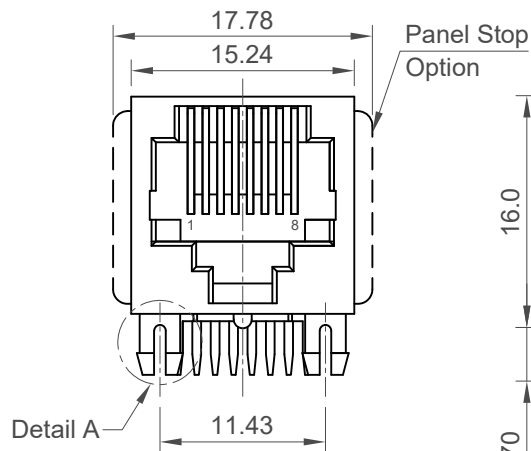
Material:

Housing: High Temp Nylon UL94V-0 or
Glass Filled Polyester, Black
Contact: Phosphor Bronze 0.35mm Thickness

Electrical:

Voltage Rating: 125 V AC (RMS)
Current Rating: 1.5 Amp
Contact Resistance: 50 mΩ max.
Insulation Resistance: 1000 MΩ min. @ 500 VDC
Dielectric Strength: 1000 VAC RMS 60Hz, 60 sec

**Recommended PCB Layout
Tolerance : ±0.05mm**



**Detail A
Scale 2:1**

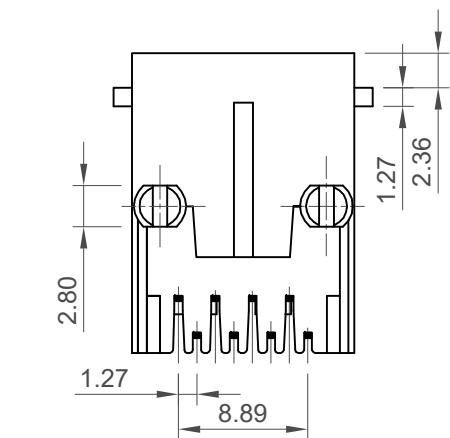
Plating :

Contact Area: See Ordering Grid
Tails: Plated Tin Over Nickel

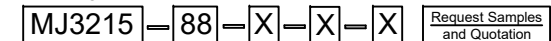
Mechanical & Environmental

Operating Life: 750 Cycles Min.
PCB Retention Force Before Solder: 1 lb min.
PCB Retention Force After Solder: 10 lbs min.
Storage Temperature: -40°C to +85°C
Operation Temperature: -40°C to +85°C

Wave Soldering Temperature: 245°C ± 5°C, 5s



Ordering Grid



No. of Positions/Loaded
88 = 8/8

Panel Stop
0 = Without
1 = With (standard)

Insulator Material
N = High Temp Nylon (Standard)
P = Glass Filled Polyester
Contact Plating
2 = 6µ" Gold (Standard)
4 = 30µ" Gold

Part Number		Product Description			
MJ3215-88		Modular Jack Connector - 8 Position Category 3			
Drawing Date		Right Angle Through Hole, Standard Profile & Latch			
11th May 2010					
By	CC	Tolerances (Except as Noted)		Units:	
Detail	MJ3215-88 D PCN	Length	Angle	Metric (mm)	
Revision	D1	X.X ± 0.20			
Date	22/09/22	X.XX ± 0.15	± 5°		
		X.XXX ± 0.10			



This drawing is confidential and copyright of Global Connector Technology, Ltd (GCT). This drawing must not be copied or disclosed without written consent. E & OE

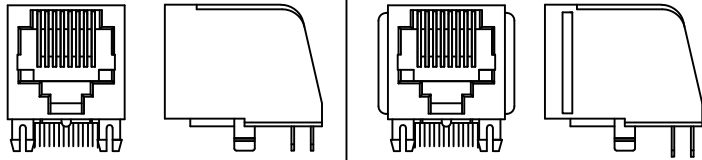
Not to Scale	Drawn By PKN	Sheet No. 1/2
--------------	-----------------	------------------

1. Packing Material: Tray 1 PC

Quantity: 1x70=70 PCS

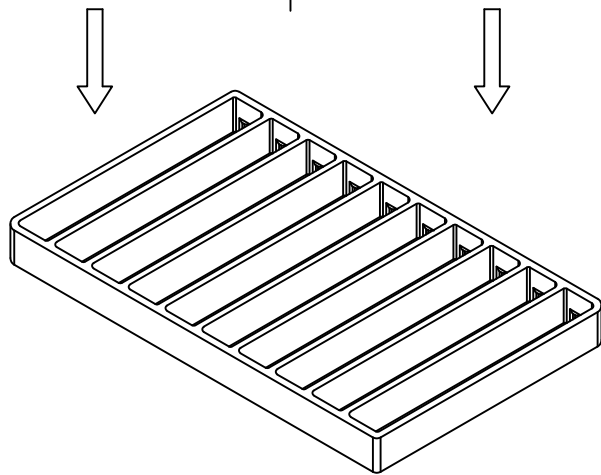
Tray: Body and Cover - 1PC Each

Label : 1 PC



Without Panel Stop

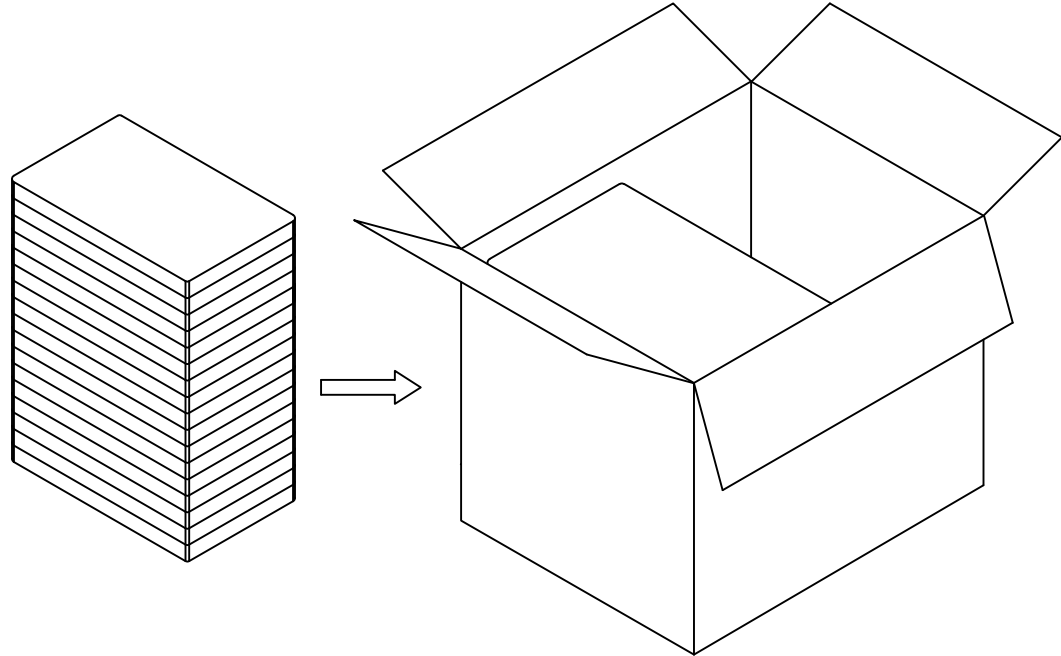
With Panel Stop




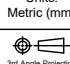


2. Packing Material: Carton - 460*310*310 - 1 PC

Quantity: 70x35=2450PCS

Pcs/Tray	Trays/Carton	Total Quantity
70	35	2450 pcs



Part Number		Product Description		 www.gct.co
MJ3215-88		Modular Jack Connector - 8 Position Category 3		
Drawing Date		Right Angle Through Hole, Standard Profile & Latch		
11th May 2010				
By	CC	Tolerances (Except as Noted)	Units:	  This drawing is confidential and copyright of Global Connector Technology, Ltd (GCT). This drawing must not be copied or disclosed without written consent. E & OE
Detail	MJ3215-88 D PCN	Length	Metric (mm)	
Revision	D1	Angle	 3rd Angle Projection	
Date	22/09/22			
Not to Scale	Drawn By PKN	Sheet No. 2/2		