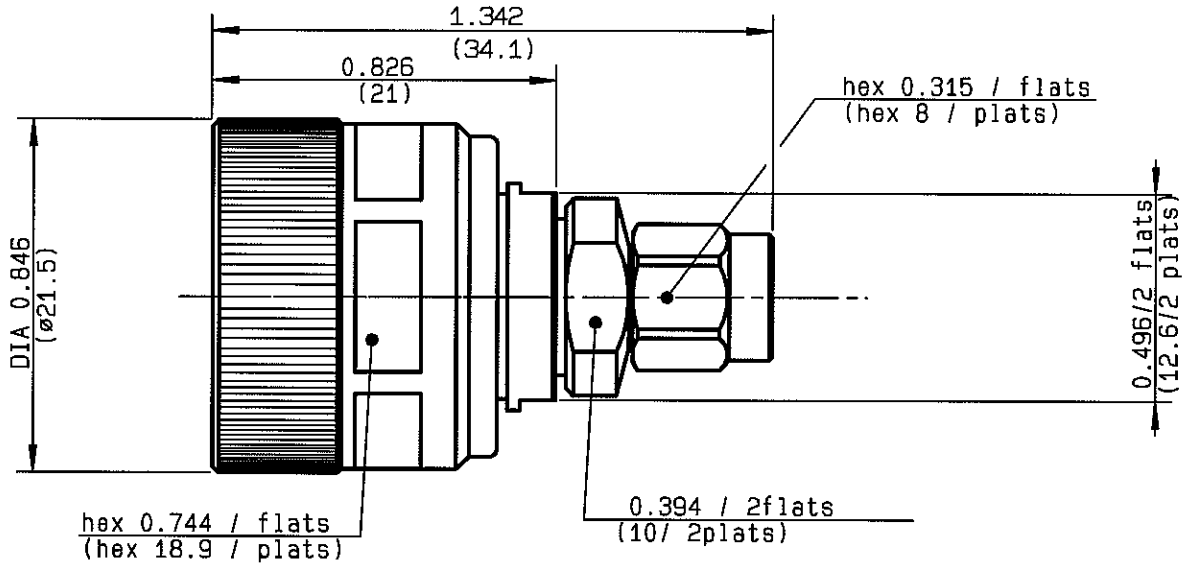


**PC7 - SMA 3.5 MALE STRAIGHT ADAPTER**

**R191.010.000**

**SERIES**

**ADAPT**



NOMINAL IMPEDANCE	<b>50</b> Ω	CABLES :	
FREQUENCY RANGE	<b>0-18</b> GHz		
TEMPERATURE RATING	<b>+13/+33</b> °C		
V.S.W.R	<b>1.05 + .01</b> x F(GHz)Maxi		
RF INSERTION LOSS	<b>0.05</b> √F(GHz) dB Maxi		
VOLTAGE RATING	<b>500</b> Veff Maxi		
DIELECTRIC WITHSTANDING VOLTAGE	<b>1000</b> Veff Mini		
INSULATION RESISTANCE	<b>5000</b> MΩMini	OTHERS CHARACTERISTICS	
HERMETIC SEAL	<b>NA</b> Atm.cm <sup>3</sup> /s	CABLE RETENTION	<b>NA</b> N Mini
LEAKAGE (pressurized only)	<b>NA</b>	CENTER CONTACT RETENTION	
MECHANICAL DURABILITY	<b>500</b> Cycles	Axial force - mating end	<b>27</b> N Mini
WEIGHT	<b>40.9</b> gr	Axial force - opposite end	<b>27</b> N Mini
SPECIFICATION		Torque	<b>8</b> cm.N Mini
		RECOMMENDED TORQUES	
		Mating	<b>100</b> cm.N
		Panel nut	<b>NA</b> cm.N
		Clamp nut	<b>NA</b> cm.N

CONNECTOR PARTS	MATERIALS	FINISH	(all values are given in micrometers)
BODY	STAINLESS STEEL	GOLD 1.3 OVER NICKEL 2	
OUTER CONTACT			
CENTER CONTACT	BERYLLIUM COPPER	GOLD 1.3 OVER NICKEL 2	
INSULATOR	PTFE, ULTEM	-	
GASKET		-	
OTHERS PIECES	BRASS	NICKEL 2	

TRIPRIER

ISSUE	CREATION DATE	FILE PART-NUMBER
<b>0243E00</b>	<b>24/07/1979</b>	<b>DM-9705-028</b>



**RADIALL®**

The information given here is subject to change without notice. Design changes may be in order to improve the product.

*Connect to the future*