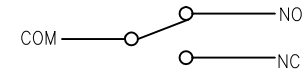
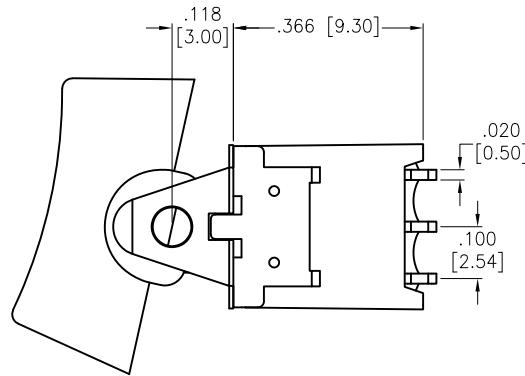
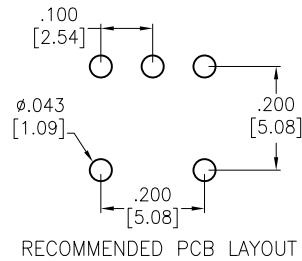
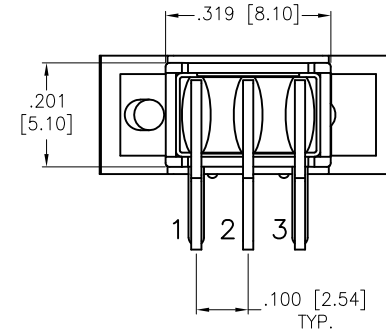
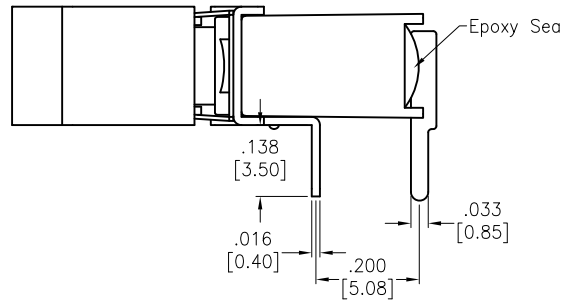
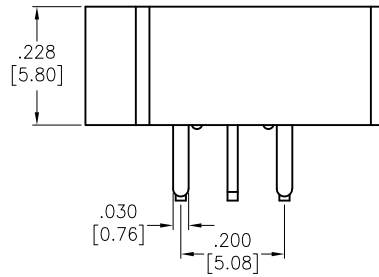


APPROVED: \_\_\_\_\_  
 DATE: \_\_\_\_\_ TITLE: \_\_\_\_\_

Rev	AWO #	Description	Date	Appr
-		RELEASED	12/22/20	
A		UPDATE TITLE	6/25/21	JJ/RC



CIRCUIT DIAGRAM  
(SPDT) ON-ON

SWITCH MARKINGS



SPECIFICATIONS:

Material:  
 Movable contact: Copper Alloy, Gold over Nickel Plated  
 Terminals: Copper Alloy, Gold over Nickel Plated  
 Electrical:  
 Rating: 0.4 VA max @20V AC/DC  
 Contact resistance: 20 mohms max initial  
 Insulation resistance: 1,000 Mohms min  
 Dielectric withstanding voltage: 1,500V RMS @ sea level  
 Electrical life: 30,000 make and break cycles at full load  
 Temperature Rating:  
 Operating temperature: -30°C to +85°C  
 Environmental:  
 IP Class: IP67  
 Lead free, RoHS compliant



UNLESS OTHERWISE SPECIFIED ALL DIMENSIONS ARE INCHES [MM]. TOLERANCES: EXCEPT AS NOTED

INCHES		HOLES	
.X	± .10	∅.X	± .10
.XX	± .020	∅.XX	± .015
.XXX	± .015	∅.XXX	± .010

**ADAM**  
**TECH**

909 Rahway Avenue,  
 Union, NJ 07083  
 Phone: 908-687-5000  
 Fax: 908-687-5710

DRAWN	OW	12/22/20
CHECKED	AC	12/22/20
APPROVED		

TITLE: SUB-MINIATURE ROCKER SWITCH, SPDT, ON-ON, PCB RIGHT ANGLE, SMALL BLACK ROCKER

THIS DRAWING CONTAINS INFORMATION THAT IS PROPRIETARY AND SHOULD NOT BE USED WITHOUT PRIOR WRITTEN PERMISSION FROM ADAM TECH

SIZE X	PART NO. SW-R3-2B-C-SB5-G-14	REV. A
REF: S00198T	SCALE: NTS	SHEET 1 OF 1