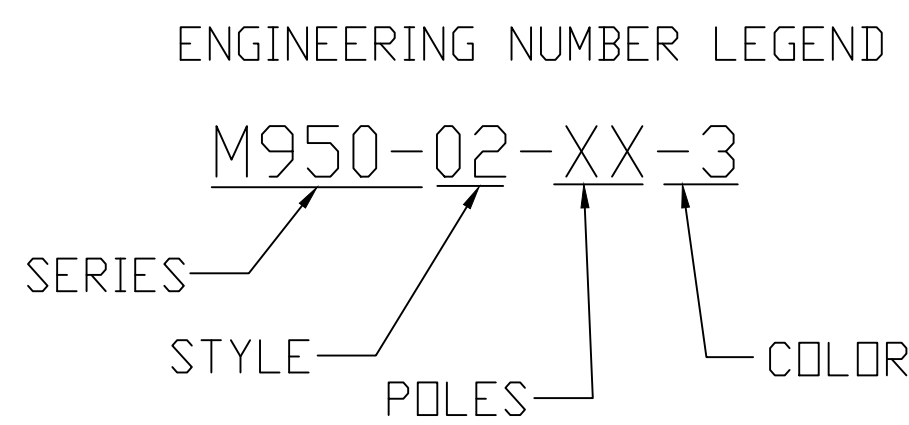
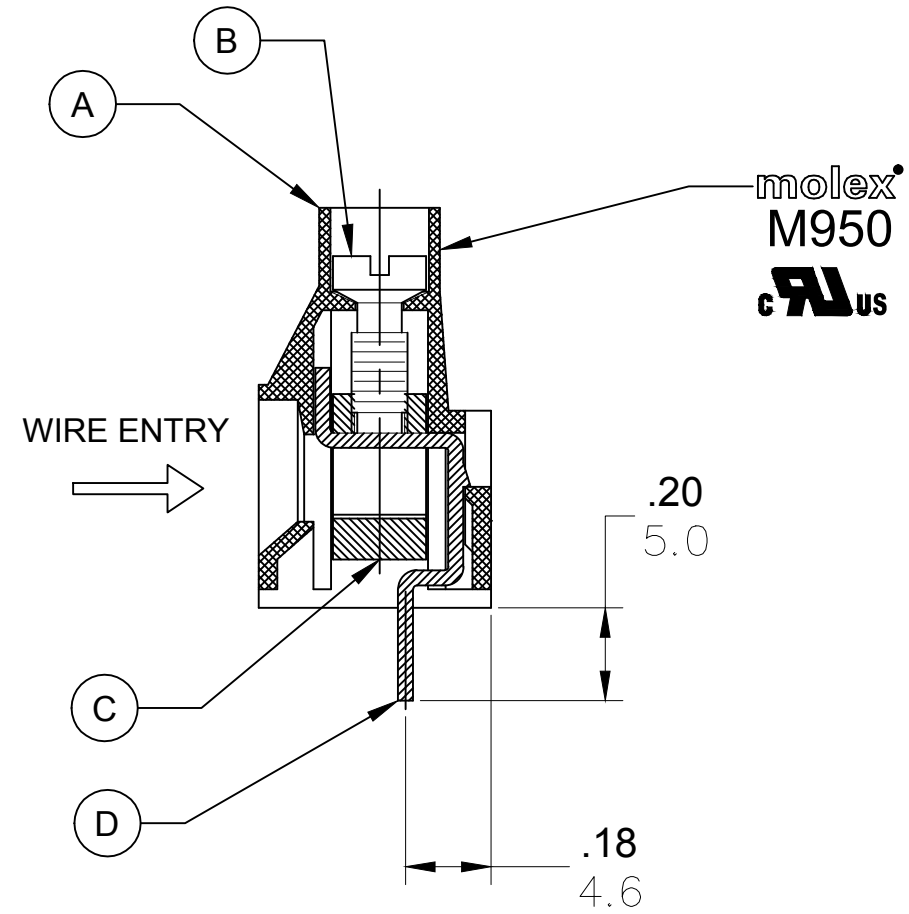
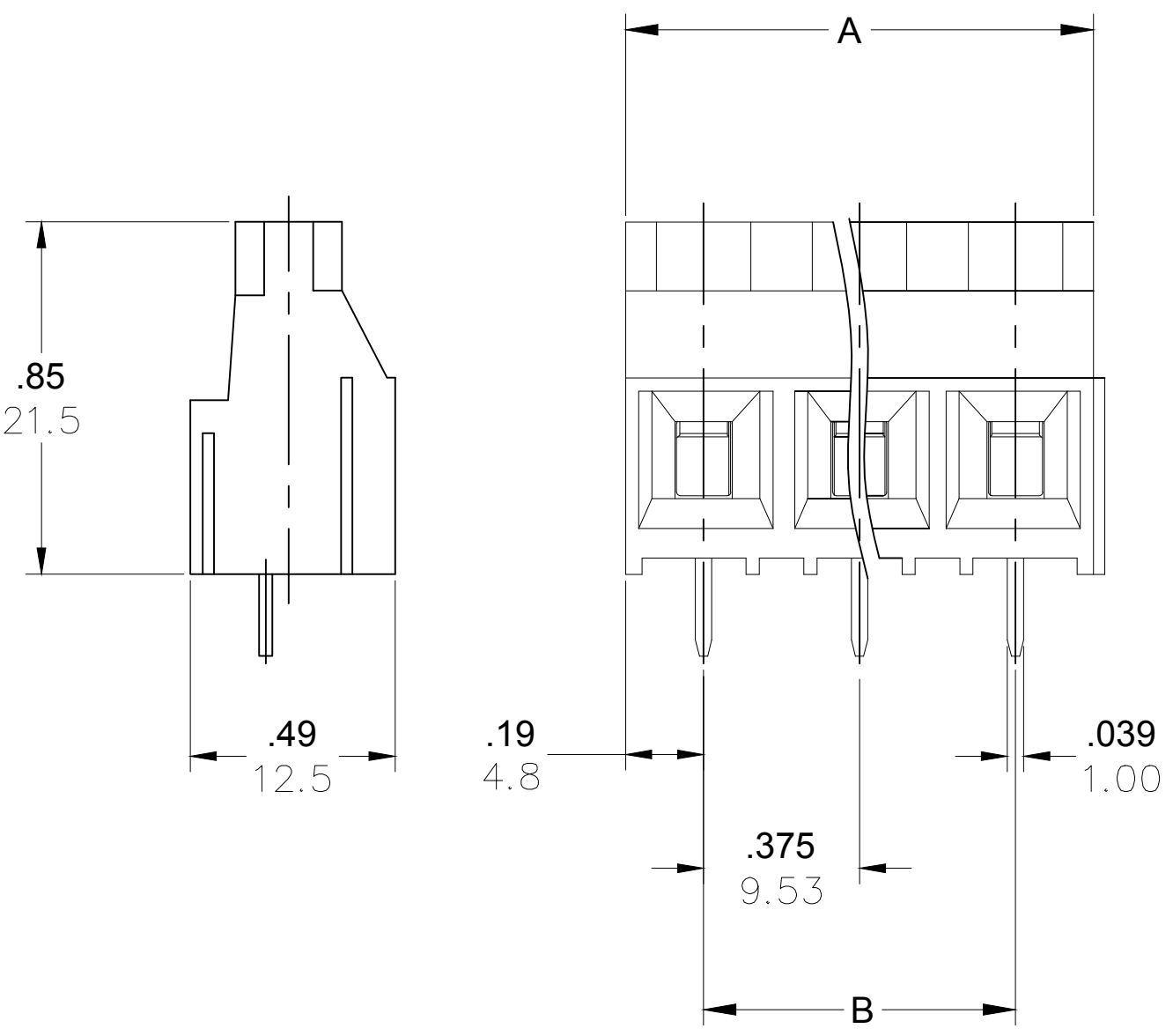
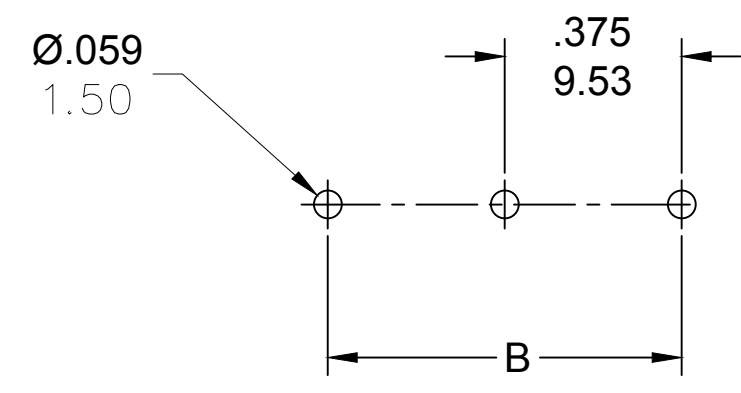


PART NUMBER DATA							
CIRCUITS	PART NUMBER	ENGINEERING NUMBER	COLOR	A IN mm		B IN mm	
2	397460002	M950-02-02-3	GREEN	.75	19.1	.375	9.53
3	397460003	M950-02-03-3	GREEN	1.13	28.6	.750	19.05
4	397460004	M950-02-04-3	GREEN	1.50	38.1	1.125	28.58

REF. LAST 2 DIGITS OF PART NUMBER EQUAL CIRCUIT COUNT



CONTACT FACTORY FOR OPTIONAL COLORS



PCB LAYOUT

SPECIFICATIONS:

- MATERIAL:
 - A. BODY: PA66, UL94 V-0
 - B. SCREW: M3, STEEL ZINC PLATED
 - C. CAGE: BRASS, NI PLATED
 - D. TERMINAL: BRASS, TIN PLATED
- RATING: 300V, 30A
- MAX TORQUE: 4.5 LBF. IN.
- WIRE RANGE: 30-10 AWG
- WIRE STRIP: .31 IN, (8.0mm)
- DIELECTRIC VOLTAGE WITHSTAND: AC 2500V FOR 1 MINUTE.
- INSULATION RESISTANCE: DC 500V, 500MΩ
- RATED IMPULSE VOLTAGE: 4000V, PLUS AND MINUS 5 TIMES EACH
- OPERATING TEMPERATURE: -40°C TO +105°C
- MAX. SOLDERING TEMP: 250°C (500°F) FOR 5 SECONDS
- DIMS. SHOWN ARE FOR REFERENCE ONLY

TOLERANCES			
MM	TOL	INCH	TOL
0-6	±0.25	0-.24	±.010
>6-30	±0.40	.24-1.18	±.016
>30-120	±0.50	1.18-4.76	±.020
>120	±0.80	>4.76	±.031

REVISED DOC TOL EC NO.: ICG2017-0881 DRWN: ABENJAMI CHKD: --- APPR: BRUPERT 2014/10/16	QUALITY SYMBOL ▽=0 ▽=0	GENERAL TOLERANCES (UNLESS SPECIFIED)		DIMENSION STYLE IN/MM		SCALE ---	DESIGN UNITS METRIC	THIRD ANGLE PROJECTION
				DRAWN BY DATE		TITLE		
				CHECKED BY DATE		EURO TERMINAL BLOCK 9.53MM MODULAR VERTICAL		
				APPROVED BY DATE		MOLEX INCORPORATED		
		MATERIAL NO.		DOCUMENT NO.		SHEET NO.		
		SEE CHART		SD-39746-001		1 OF 1		
		DRAFT WHERE APPLICABLE MUST REMAIN WITHIN DIMENSIONS		THIS DRAWING CONTAINS INFORMATION THAT IS PROPRIETARY TO MOLEX INCORPORATED AND SHOULD NOT BE USED WITHOUT WRITTEN PERMISSION				