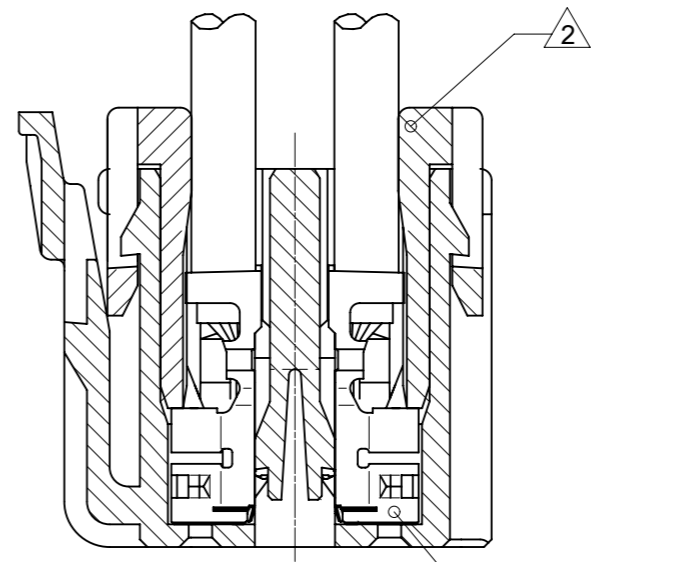


30 CIRCUIT

40 CIRCUIT

VIEW OF 30,40 CIRCUIT (2:1)



TERMINAL & RETAINER ASSEMBLY DRAWING SCALE 5:1

- NOTES:
1. APPLICABLE TERMINAL : SERIES 56134, 59370
 2. APPLICABLE RETAINER : SERIES 55767
 3. MATE WITH : SERIES 55763
 4. APPLY FOR (CIRCUIT/2)= EVEN
 5. MATERIAL NO.

51242-**0*

CIRCUIT SIZE	COLOR	NATURAL(WHITE)	0
		RED	2

6. MATERIAL : 66 NYLON, UL94V-0

40	51242-400*	43.8	38	40.9	25
30	51242-300*	33.8	28	30.9	15
20	51242-200*	23.8	18	20.9	13
CKT.	MATERIAL NO.	A	B	C	D

THIS DRAWING CONTAINS INFORMATION THAT IS PROPRIETARY TO MOLEX ELECTRONIC TECHNOLOGIES, LLC AND SHOULD NOT BE USED WITHOUT WRITTEN PERMISSION

DIMENSION UNITS	SCALE	CURRENT REV DESC:			
mm	4:1				
GENERAL TOLERANCES (UNLESS SPECIFIED)					
ANGULAR TOL	± 3.0 °				
4 PLACES	± 0.0	EC NO: 726698			
3 PLACES	± 0.0	DRWN: HKOBAYASHI 2022/10/11			
2 PLACES	± 0.2	CHK'D: AIDA 2022/11/04			
1 PLACE	± 0.2	APPR: SAKIYAMA 2022/11/04			
0 PLACES	± 0.2	INITIAL REVISION:			
DRAFT WHERE APPLICABLE MUST REMAIN WITHIN DIMENSIONS		DRWN: NITO 2001/04/13		2001/04/13	
THIRD ANGLE PROJECTION		DRAWING	SERIES	MATERIAL NUMBER	CUSTOMER
		A3-SIZE	51242		GENERAL MARKET

MICROCLASP 2.0 W-B CONN. DUAL ROW RCPT HSG

PRODUCT CUSTOMER DRAWING

DOCUMENT NUMBER: SD-51242-002 DOC TYPE: PSD DOC PART: 001 REVISION: D

SHEET NUMBER: 1 OF 1