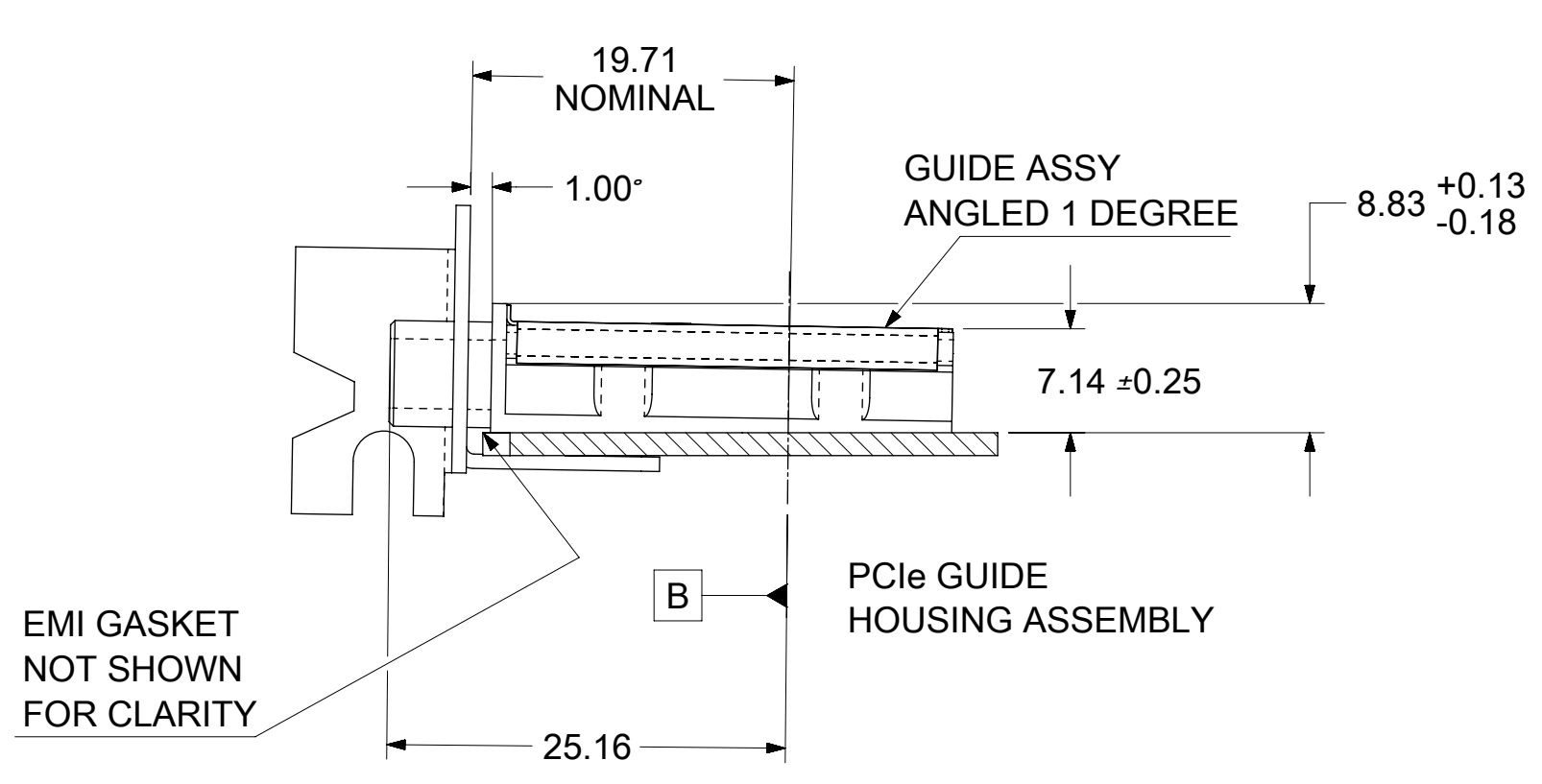


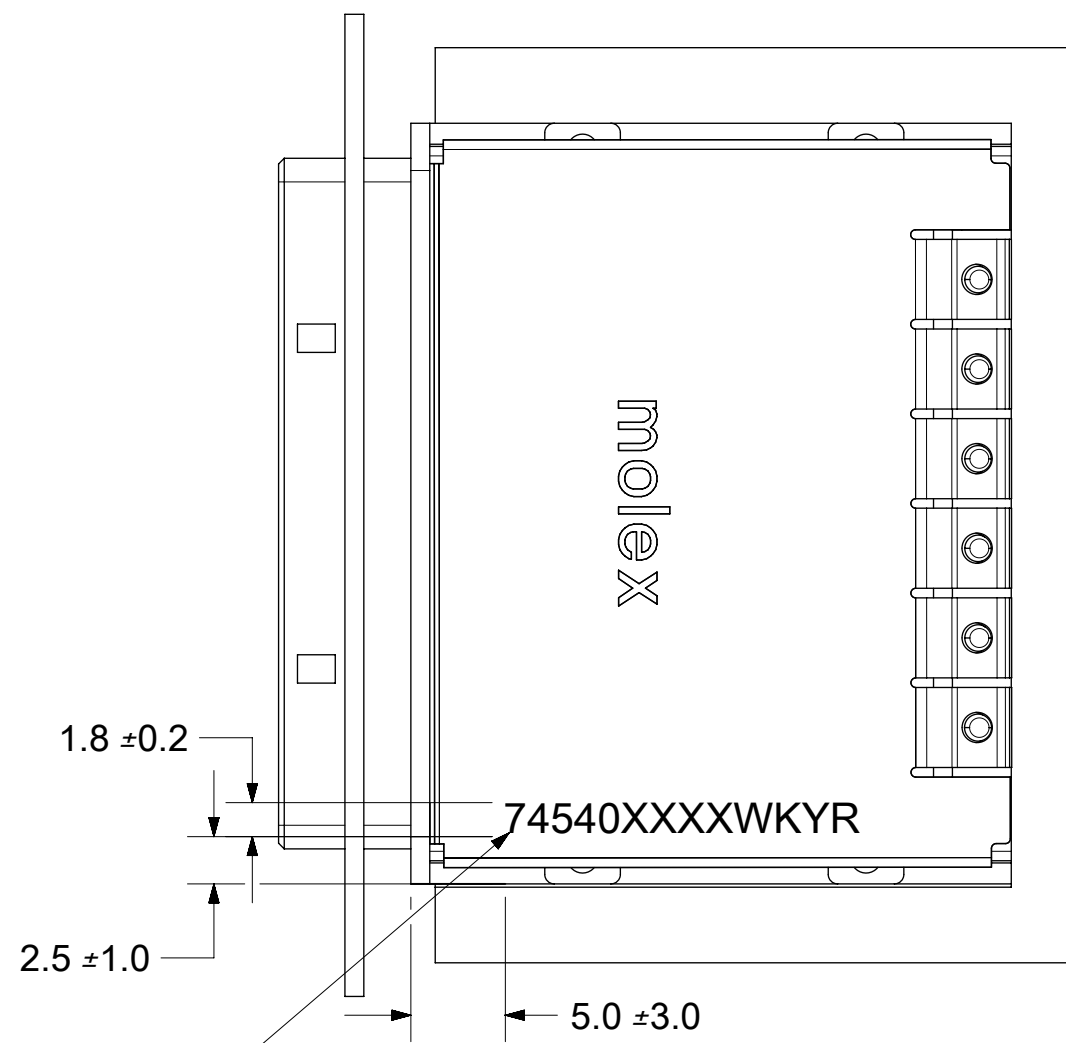
- NOTES:
- REF. PCI EXPRESS CARD ELECTROMECHANICAL SPECIFICATION, REV 1.0a FOR IO BRACKET WINDOW LOCATION.
  - PCB AND IO BRACKET SHOWN FOR REFERENCE ONLY.
  - REFER TO SHEET 2 FOR ATCA GUIDE HOUSING ASSY. SEE SHEET 3 FOR SCREEN LENGTH + TORQUE SPEC.
  - GUIDE HOUSING MOUNTING THREAD=M2 X 0.4
  - PCB NOTCH IS SHOWN FOR PCI COMPLIANT BOARD.
  - THIS PRODUCT MEETS THE RESTRICTIONS OF HAZARDOUS SUBSTANCES IN ELECTRICAL AND ELECTRONIC EQUIPMENT (RoHS) DIRECTIVE (2002/95/EC)
  - PLATE GROUND PAD WITH EMERSION SILVER OR GOLD.
  - MATES WITH MOLEX 8X CABLE SERIES 74546-080X.
  - GUIDE HOUSING PEGS FOR ALIGNMENT ONLY. "DO NOT SOLDER"

PCIe EXPANSION CARD APPLICATION SHOWN USING 1 DEGREE GUIDE HOUSING ASSEMBLY



iPass™ is a trademark of Molex

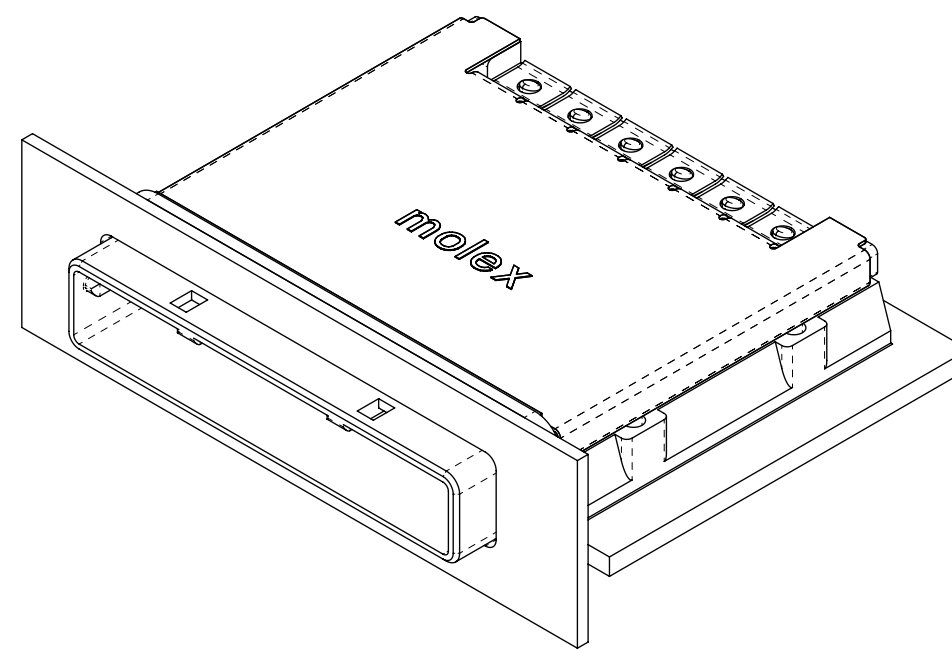
SYMBOLS										THIS DRAWING CONTAINS INFORMATION THAT IS PROPRIETARY TO MOLEX ELECTRONIC TECHNOLOGIES, LLC AND SHOULD NOT BE USED WITHOUT WRITTEN PERMISSION																			
DIMENSION UNITS					SCALE					CURRENT REV DESC: SEE REVISION TABLE																			
mm					2:1					EC NO: 610421																			
GENERAL TOLERANCES (UNLESS SPECIFIED)										DRWN: NMUTHARAYAPP 2018/12/13																			
ANGULAR TOL ± 0.5°										CHK'D: VK10 2019/01/15																			
4 PLACES ±										APPR: RCHEN08 2019/01/15																			
3 PLACES ±										INITIAL REVISION:																			
2 PLACES ± 0.05										DRWN: NMUTHARAYAPP 2018/12/13																			
1 PLACE ± 0.1										APPR: RCHEN08 2019/01/15																			
0 PLACES ±										DRAFT WHERE APPLICABLE MUST REMAIN WITHIN DIMENSIONS																			
THIRD ANGLE PROJECTION					DRAWING					SERIES					MATERIAL NUMBER					CUSTOMER					SHEET NUMBER				
C-SIZE					74540					SEE TABLE					745400100					PSD ASY R					1 OF 4				



P/N AND WEEK/YEAR DATE CODE TO BE PRINTED ON THE TOP OF COMPLETED CAGE ASSEMBLY AS SHOWN. SEE TABLE BELOW FOR DATE CODE INFORMATION.

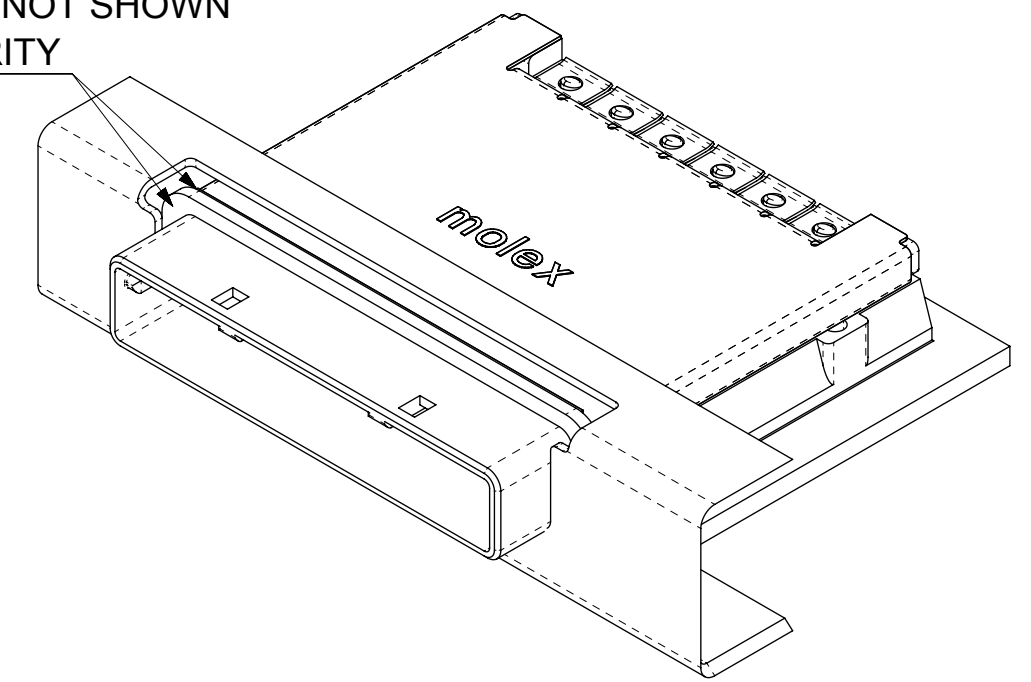
WEEK/YEAR DATE CODE TABLE

WK	WEEK OF THE YEAR 01 THRU 52 (EXAMPLE: 01= FIRST WEEK OF YEAR 52= LAST WEEK OF YEAR)
YR	19, 20, 21,, ETC.. (EXAMPLE: YEAR 2019= 19)

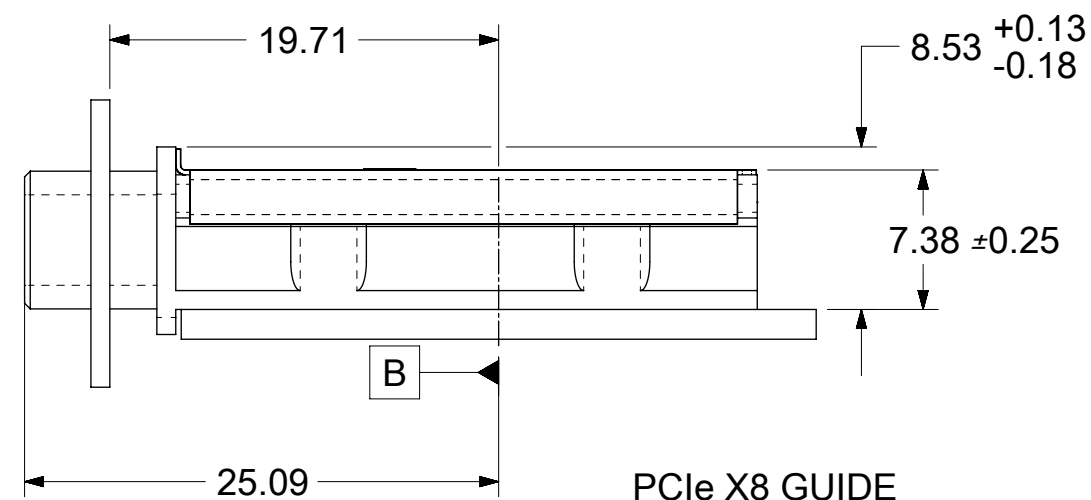
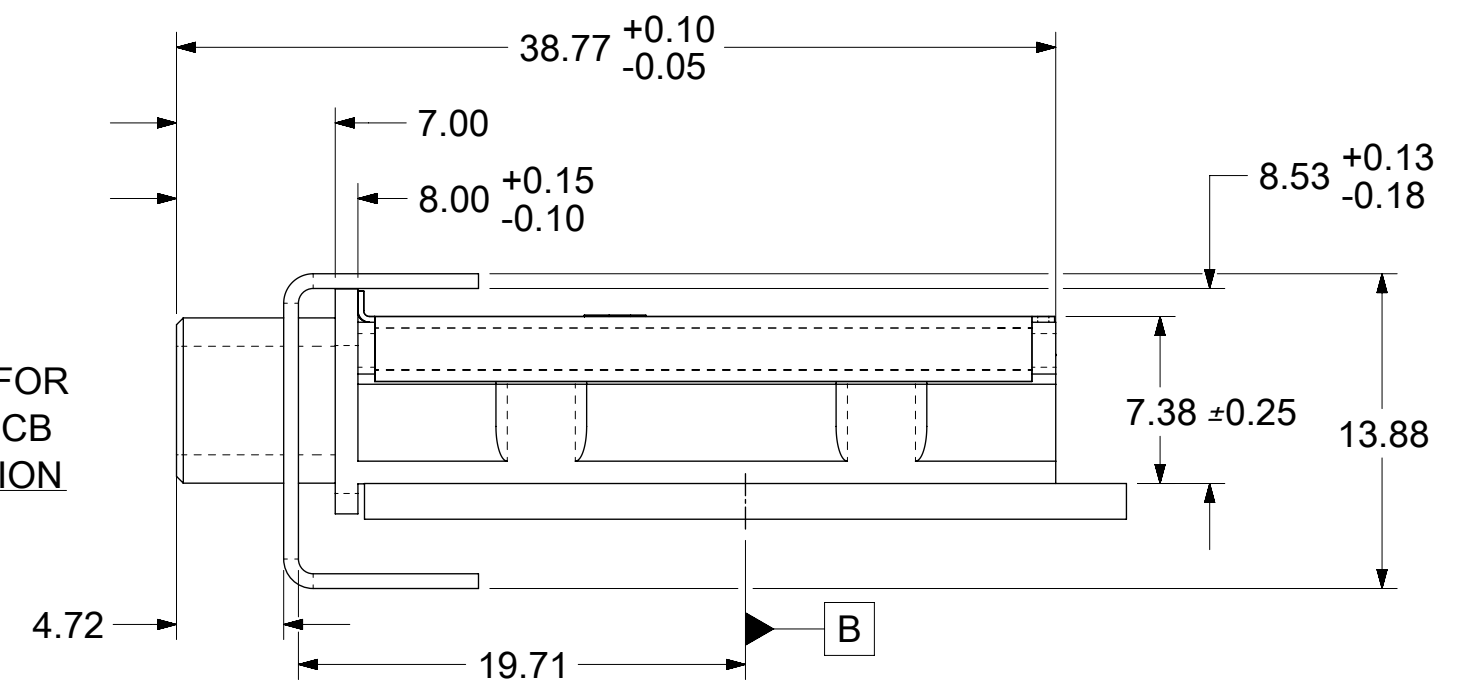
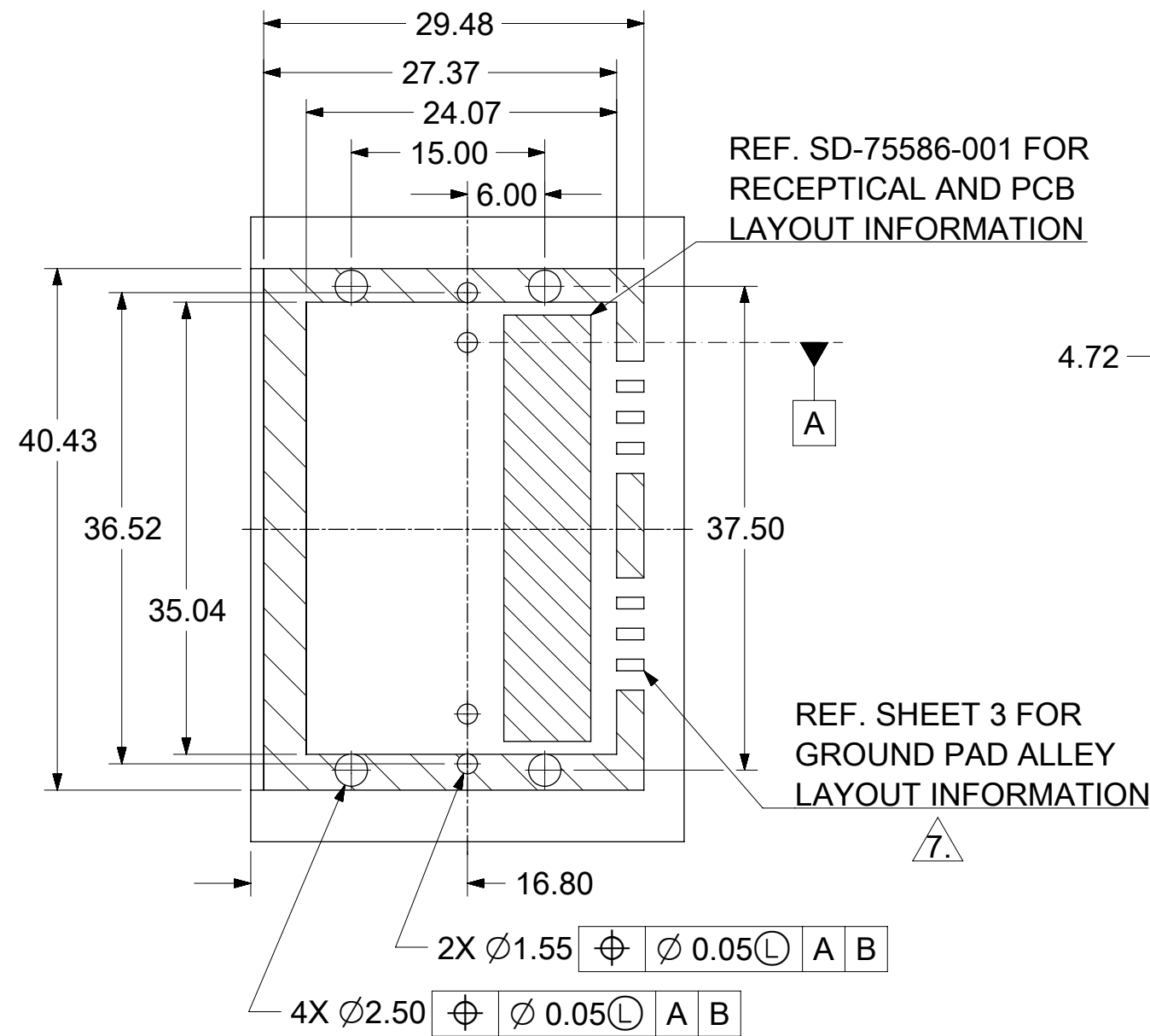


STANDARD APPLICATION SHOWN USING 0 DEG GUIDE HOUSING ASSEMBLY

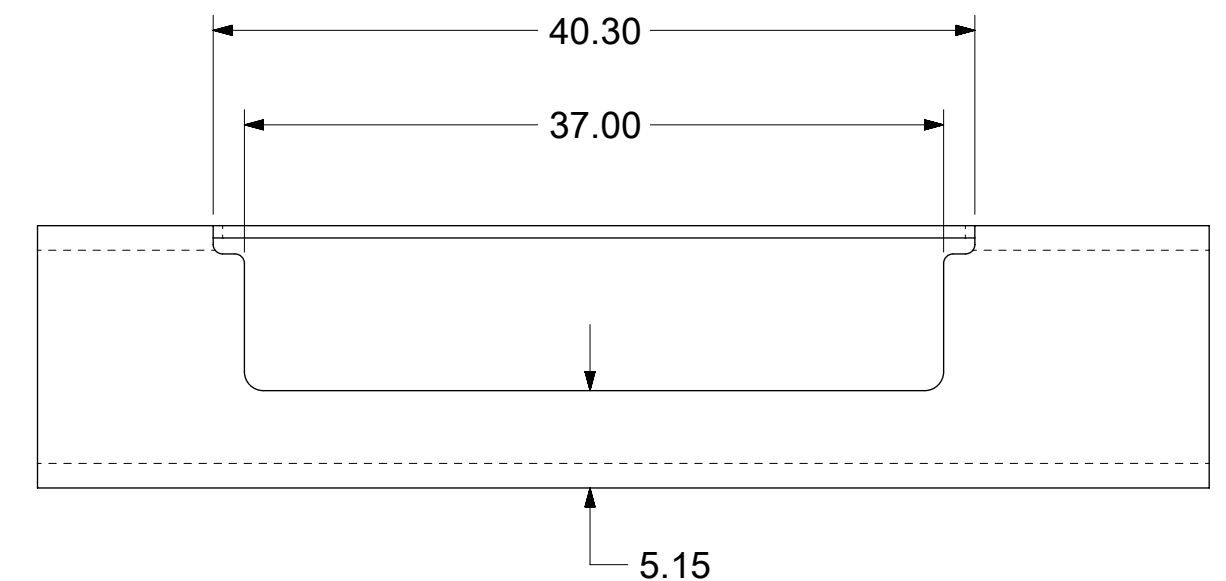
GASKETS NOT SHOWN FOR CLARITY



ADVANCED TCA APPLICATION USING 0 DEG GUIDE HOUSING ASSEMBLY



PCIe X8 GUIDE HOUSING ASSEMBLY

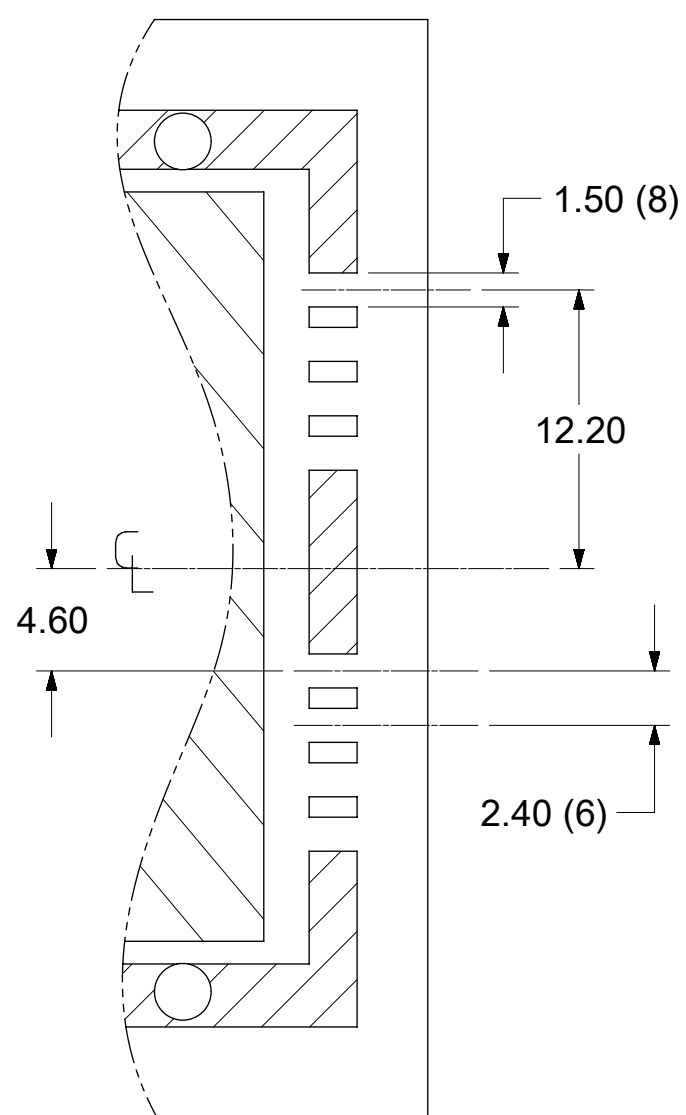


iPass™ is a trademark of Molex

SYMBOLS		THIS DRAWING CONTAINS INFORMATION THAT IS PROPRIETARY TO MOLEX ELECTRONIC TECHNOLOGIES, LLC AND SHOULD NOT BE USED WITHOUT WRITTEN PERMISSION		CURRENT REV DESC: SEE REVISION TABLE	
▽ = 0	0	mm	1:1	<b>molex</b> I-PASS X8 EMI GUIDE HOUSING ASSEMBLY PRODUCT CUSTOMER DRAWING	
▽ = 0	0	GENERAL TOLERANCES (UNLESS SPECIFIED)			
▽ = 0	0	ANGULAR TOL ± 0.5°			
▽ = 0	0	4 PLACES ±			
▽ = 0	0	3 PLACES ±			
▽ = 0	0	2 PLACES ± 0.05		EC NO: 610421 DRWN: NMUTHARAYAPP 2018/12/13 CHK'D: VK10 2019/01/15 APPR: RCHEN08 2019/01/15	
▽ = 0	0	1 PLACE ± 0.1		INITIAL REVISION: DRWN: NMUTHARAYAPP 2018/12/13 APPR: RCHEN08 2019/01/15	
▽ = 0	0	0 PLACES ±		DOCUMENT NUMBER <b>745400100</b>	
▽ = 0	0	DRAFT WHERE APPLICABLE MUST REMAIN WITHIN DIMENSIONS		DOC TYPE DOC PART REVISION PSD ASY R	
		THIRD ANGLE PROJECTION		MATERIAL NUMBER SEE TABLE	
		DRAWING		CUSTOMER SEE TABLE	
		SERIES		SHEET NUMBER 2 OF 4	
		C-SIZE		74540	

MOLEX P/N	DESCRIPTION	GEN
745400100	8x EMI Guide Housing Assembly - PCIe /1 Deg	Gen 1
745400200	8x EMI Guide Housing Assembly - ATCA /0 Deg	Gen 1
745400205	8x EMI Guide Housing Assembly - W/O Gasket - ATCA / 0 Deg	Gen 1

PCB THICKNESS	SCREW LENGTH	TORQUE(IN LBS)
1.6	5MM	2.3
2.38	6MM	2.3
3.2	6MM	2.3
	+4MM MAX	2.3

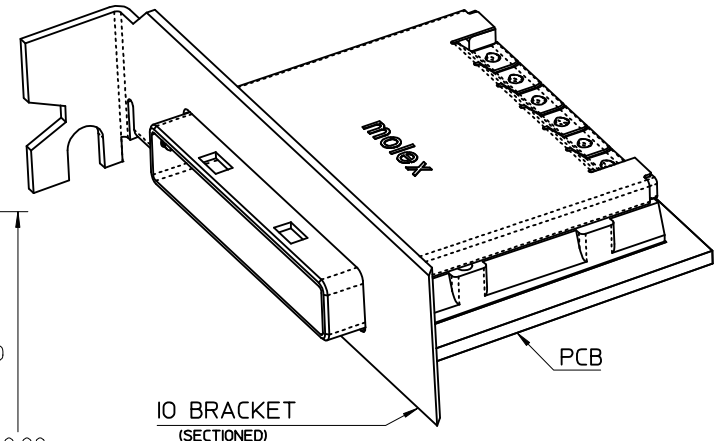
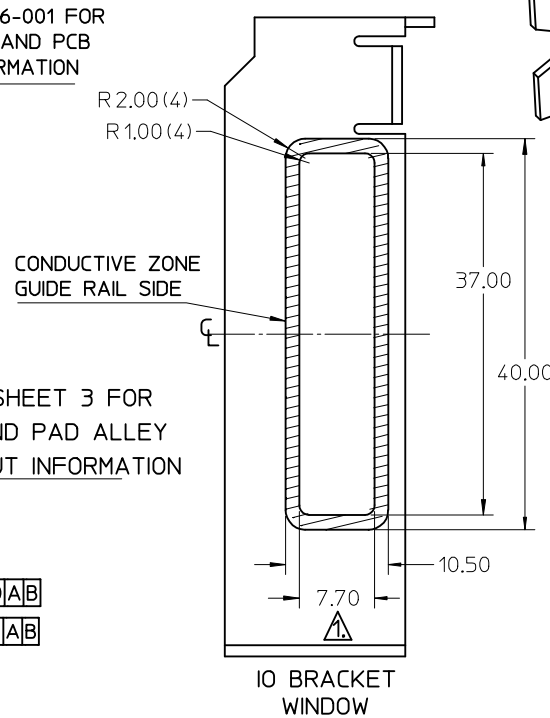
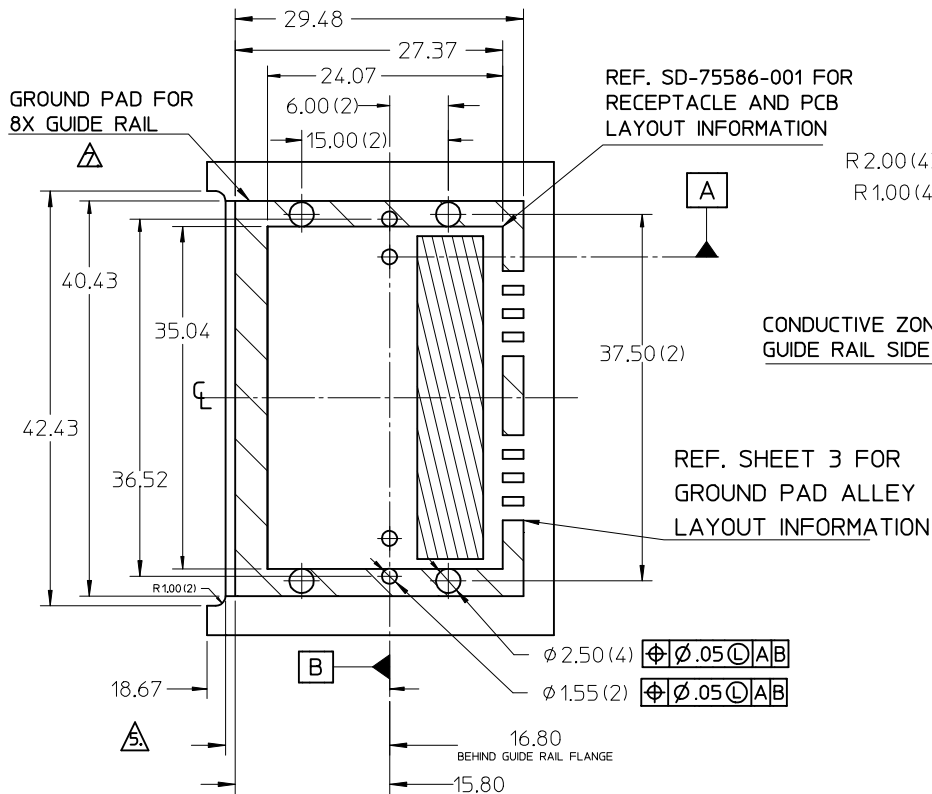


PARTIAL1  
SCALE 2:1  
GROUND PAD ALLEY  
LAYOUT INFORMATION



THIS DRAWING CONTAINS INFORMATION THAT IS PROPRIETARY TO MOLEX ELECTRONIC TECHNOLOGIES, LLC AND SHOULD NOT BE USED WITHOUT WRITTEN PERMISSION									
SYMBOLS	DIMENSION UNITS	SCALE	CURRENT REV DESC: SEE REVISION TABLE						
	mm	1:1	<b>molex</b> I-PASS X8 EMI GUIDE HOUSING ASSEMBLY PRODUCT CUSTOMER DRAWING						
	GENERAL TOLERANCES (UNLESS SPECIFIED)								
	ANGULAR TOL ± 0.5°		EC NO: 610421 DRWN: NMUTHARAYAPP 2018/12/13 CHK'D: VK10 2019/01/15 APPR: RCHEN08 2019/01/15						
	4 PLACES ±		INITIAL REVISION: DRWN: NMUTHARAYAPP 2018/12/13 APPR: RCHEN08 2019/01/15						
	3 PLACES ±								
	2 PLACES ± 0.05		DOCUMENT NUMBER		DOC TYPE	DOC PART	REVISION		
	1 PLACE ± 0.1		745400100		PSD	ASY	R		
	0 PLACES ±		MATERIAL NUMBER		CUSTOMER		SHEET NUMBER		
	DRAFT WHERE APPLICABLE MUST REMAIN WITHIN DIMENSIONS		SEE TABLE				3 OF 4		
	THIRD ANGLE PROJECTION		DRAWING		SERIES				
			C-SIZE		74540				





PCIe EXPANSION CARD APPLICATION SHOWN USING 1 DEGREE GUIDE HOUSING ASSEMBLY

- NOTES:
- REF. PCI EXPRESS CARD ELECTROMECHANICAL SPECIFICATION, REV 1.0a FOR IO BRACKET WINDOW LOCATION.
  - PCB AND IO BRACKET SHOWN FOR REFERENCE ONLY.
  - REFER TO SHEET 2 FOR ATCA GUIDE HOUSING ASSY. SEE SHEET 3 FOR SCREEN LENGTH + TORQUE SPEC.
  - GUIDE HOUSING MOUNTING THREAD- M2 X 0.4
  - PCB NOTCH IS SHOWN FOR PCI COMPLIANT BOARD.
  - THIS PRODUCT MEETS THE RESTRICTIONS OF HAZARDOUS SUBSTANCES IN ELECTRICAL AND ELECTRONIC EQUIPMENT (RoHS) DIRECTIVE (2002/95/EC)
  - PLATE GROUND PAD WITH EMERSON SILVER OR GOLD.
  - MATES WITH MOLEX 8X CABLE SERIES 74546-080X.
  - GUIDE HOUSING PEGS FOR ALIGNMENT ONLY. 'DO NOT SOLDER'

iPass™ is a trademark of Molex

I-PASS X8 EMI GUIDE HOUSING ASSEMBLY

MOLEX INCORPORATED

DOCUMENT NO. SD-74540-100

SHEET NO. 1 OF 3

ADD P/N TO TABLE	EC NO: CPG2012-2100
	DRWN:TPRATT 2012/06/28
	CHKD:AJOHNSTON 2012/06/28
	APPR:KLLLOYD 2012/07/06
REV	DESCRIPTION

QUALITY SYMBOLS	▽=0
	▽=0

GENERAL TOLERANCES (UNLESS SPECIFIED)	mm	INCH
	4 PLACES ± ---	± ---
	3 PLACES ± ---	± ---
	2 PLACES ± 0.05	± ---
	1 PLACE ± 0.10	± ---
	ANGULAR ± 1/2°	
DRAFT WHERE APPLICABLE MUST REMAIN WITHIN DIMENSIONS		

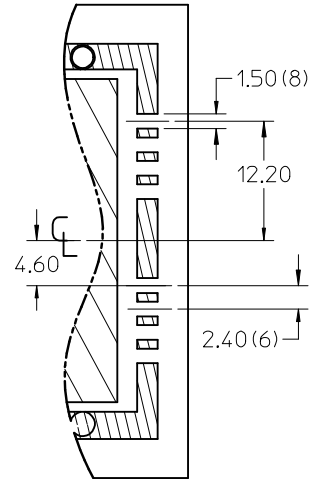
DIMENSION STYLE		SCALE	DESIGN UNITS	THIRD ANGLE PROJECTION
MM ONLY		2:1	METRIC	
DRAWN BY	DATE	TITLE		
BREED	2004/11/11	I-PASS X8 EMI GUIDE HOUSING ASSEMBLY		
CHECKED BY	DATE	MOLEX INCORPORATED		
DDOYE	2004/11/11			
APPROVED BY	DATE	DOCUMENT NO.		
DDOYE	2004/11/11	SD-74540-100		
MATERIAL NO.	SEE TABLE	SHEET NO.		
SIZE	B	1 OF 3		

THIS DRAWING CONTAINS INFORMATION THAT IS PROPRIETARY TO MOLEX INCORPORATED AND SHOULD NOT BE USED WITHOUT WRITTEN PERMISSION



MOLEX P/N	DESCRIPTION	GEN
745400100	8x EMI Guide Housing Assembly - PCIe / 1 Deg	Gen 1
745400200	8x EMI Guide Housing Assembly - ATCA / 0 Deg	Gen 1
745400205	8x EMI Guide Housing Assembly - W/O Gasket - ATCA / 0 Deg	Gen 1

PCB THICKNESS	SCREW LENGTH	TORQUE (IN LBS)
1.6 (.063")	5MM	2.3
2.38 (.093")	6MM	2.3
3.2 (.125")	6MM	2.3
	+4MM MAX	2.3



PARTIAL1  
SCALE 2:1  
GROUND PAD ALLEY  
LAYOUT INFORMATION



ADD P/N TO TABLE EC NO: CPG2012-2100 DRAWN: TPRAATT 2012/06/28 CHKD: A JOHNSTON 2012/06/28 APPR: K LLOYD 2012/07/06	DESCRIPTION REV	QUALITY SYMBOLS	GENERAL TOLERANCES (UNLESS SPECIFIED)	DIMENSION STYLE	SCALE	DESIGN UNITS	THIRD ANGLE PROJECTION	
		▼=0 ▽=0	mm INCH 4 PLACES ± --- ± --- 3 PLACES ± --- ± --- 2 PLACES ± 0.05 ± --- 1 PLACE ± 0.10 ± --- ANGULAR ± 1/2°	MM ONLY	1:1	METRIC	DRAWN BY DATE BREED 2004/11/11 CHECKED BY DATE DDOYE 2004/11/11 APPROVED BY DATE DDOYE 2004/11/11	TITLE I-PASS X8 EMI GUIDE HOUSING ASSEMBLY
		DRAFT WHERE APPLICABLE MUST REMAIN WITHIN DIMENSIONS	MATERIAL NO. SEE TABLE	MOLEX INCORPORATED	DOCUMENT NO. SD-74540-100	SHEET NO. 3 OF 3		
		THIS DRAWING CONTAINS INFORMATION THAT IS PROPRIETARY TO MOLEX INCORPORATED AND SHOULD NOT BE USED WITHOUT WRITTEN PERMISSION						