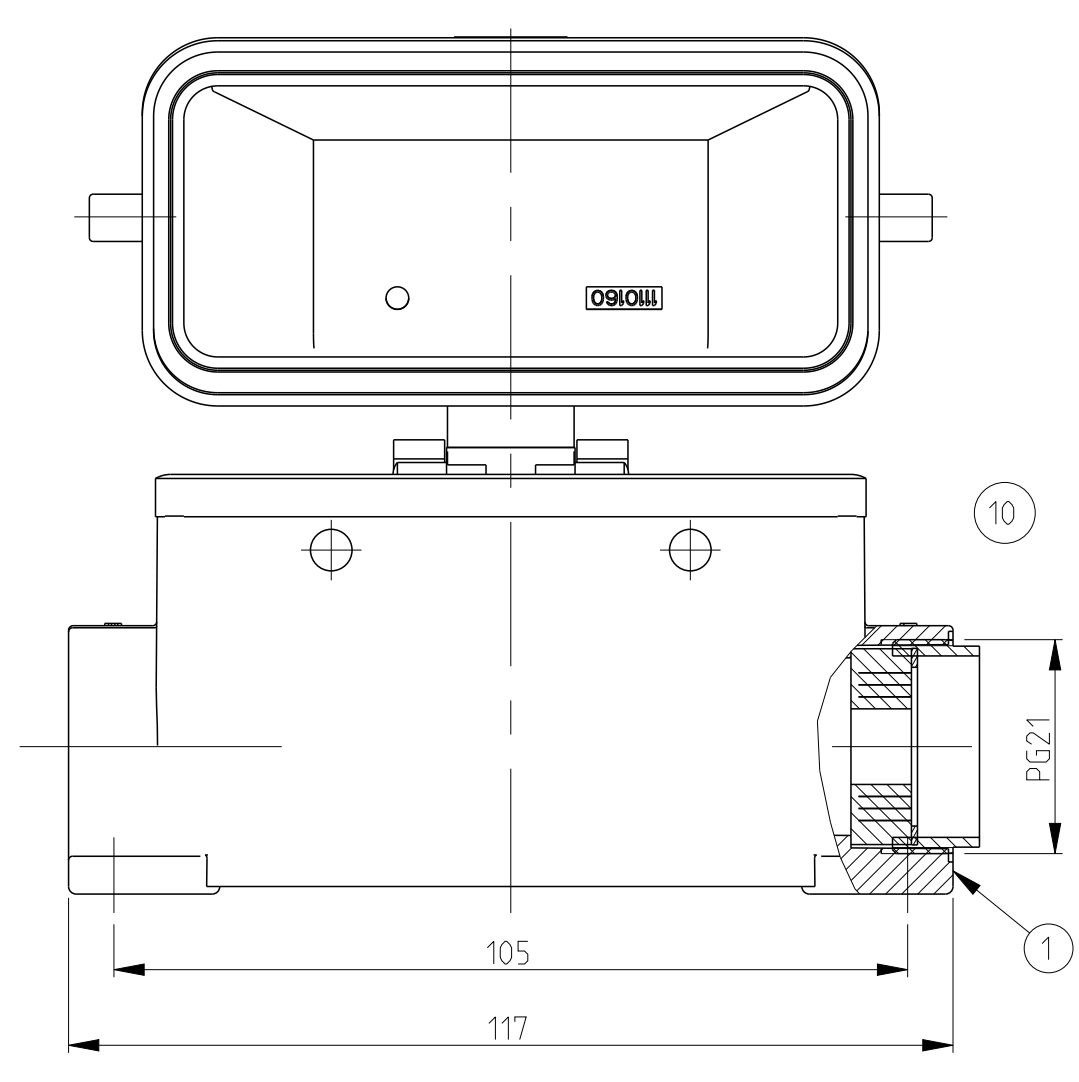
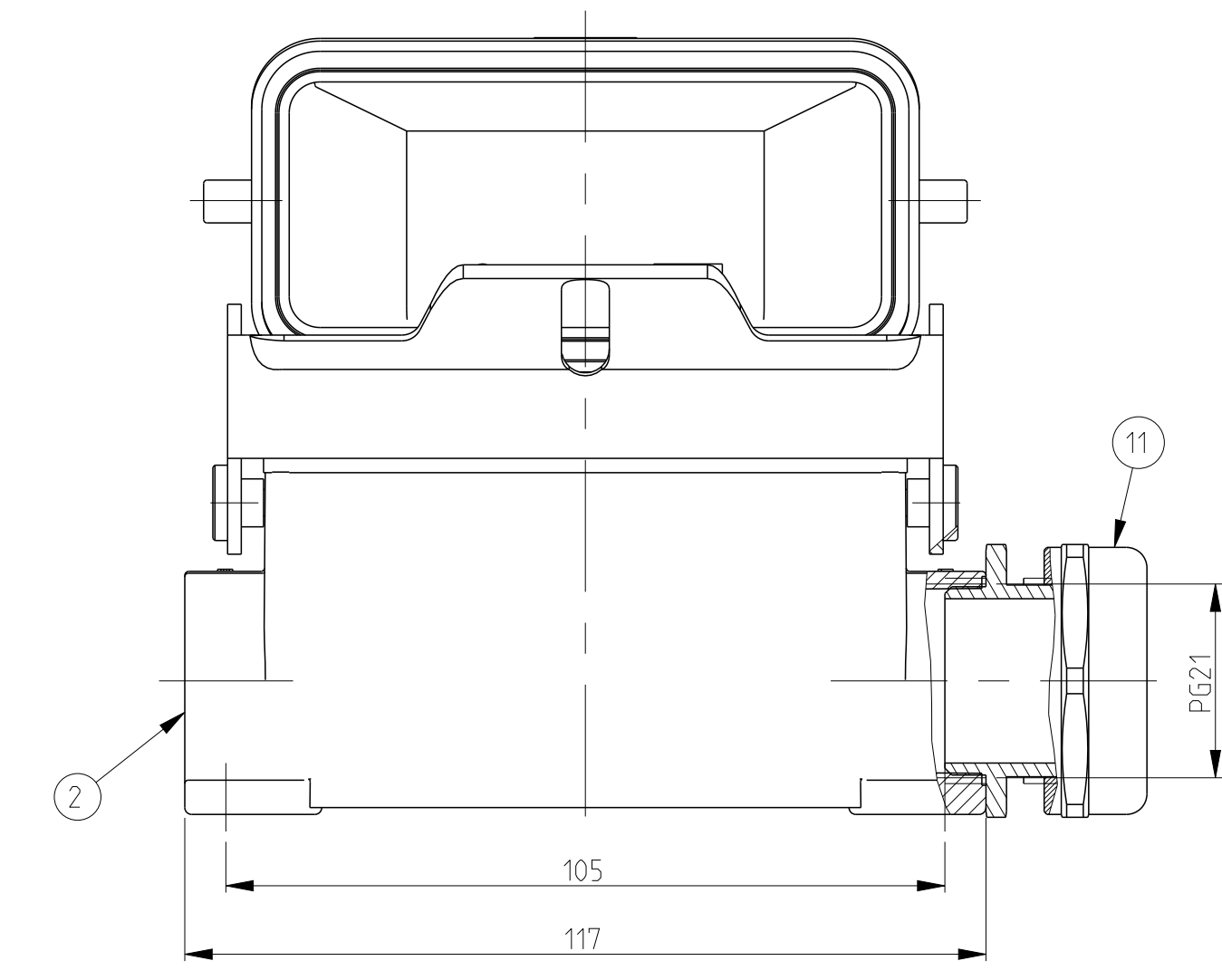
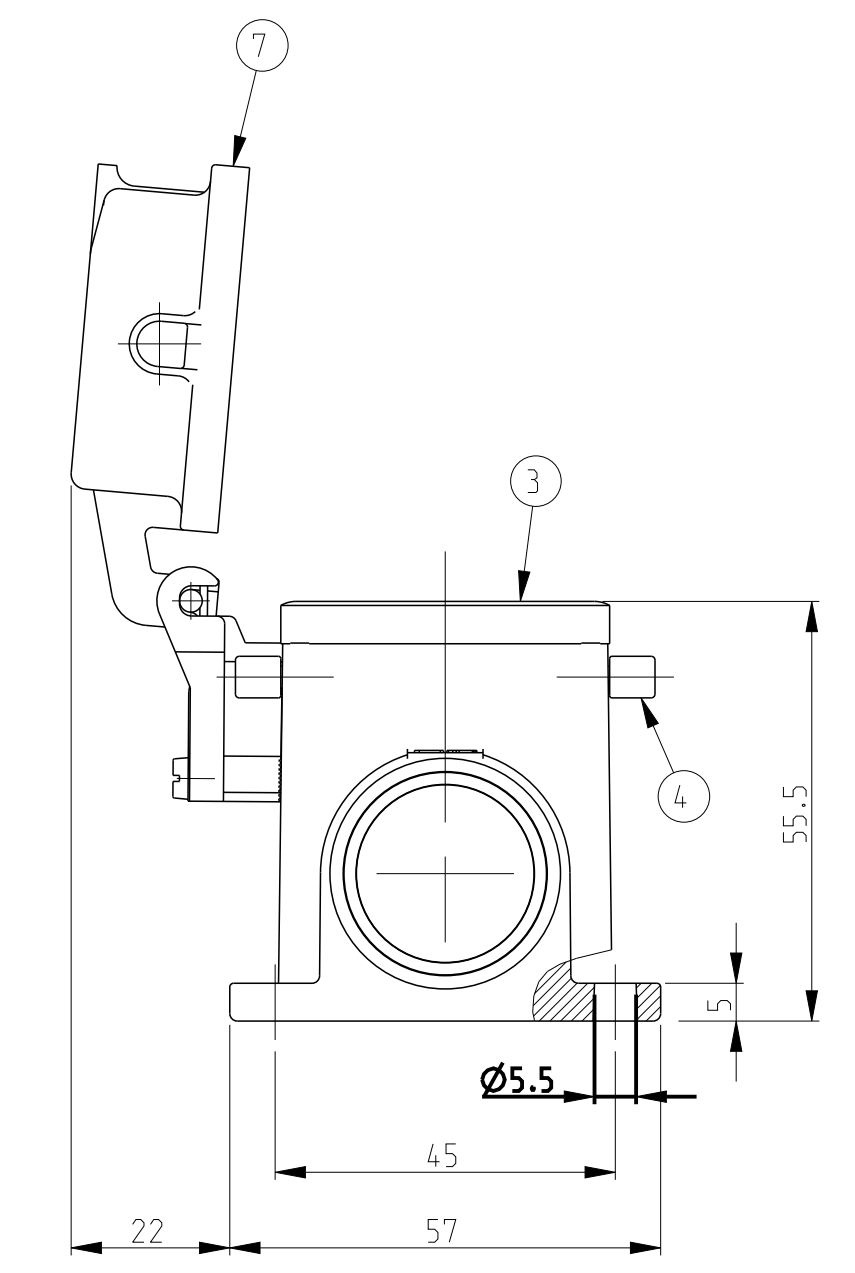


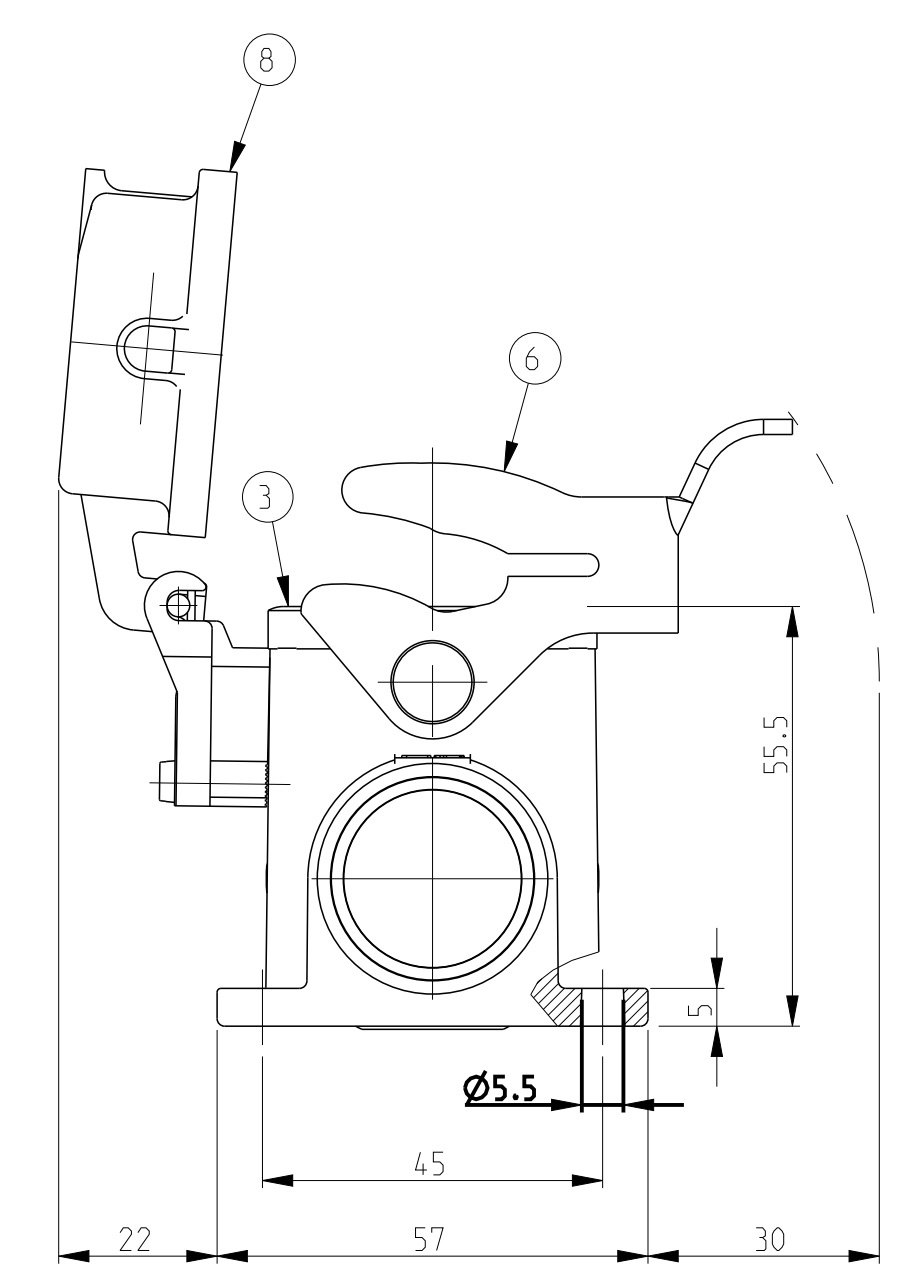
REVISIONS			
NO.	DATE	DESCRIPTION	BY
A3	16 July 2008	Released as per ECR-08-017827	SP TS
A4	10 JAN 2020	REVISED PER ECR-20-000199	SB MKO



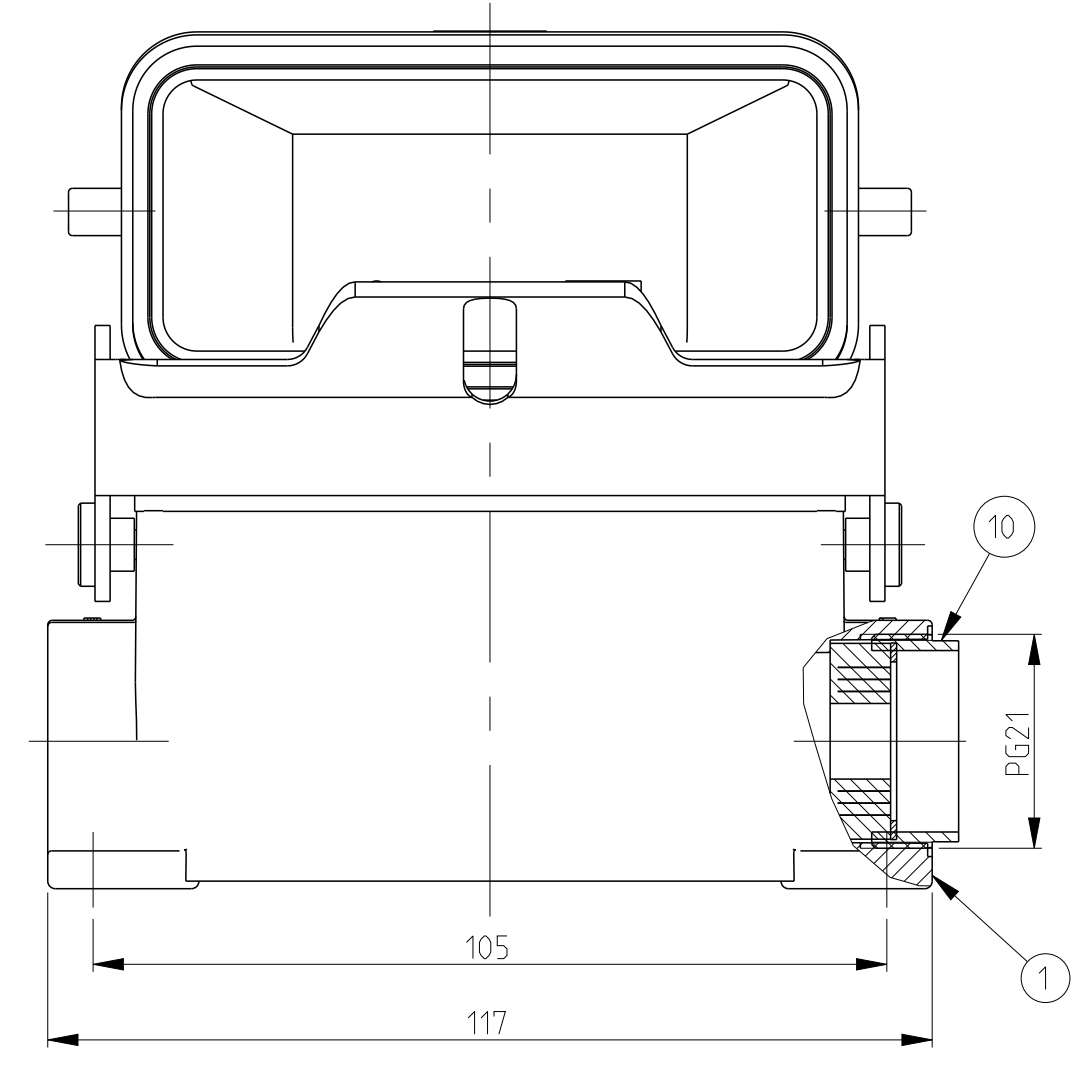
PN 4-6 OBSOLETE



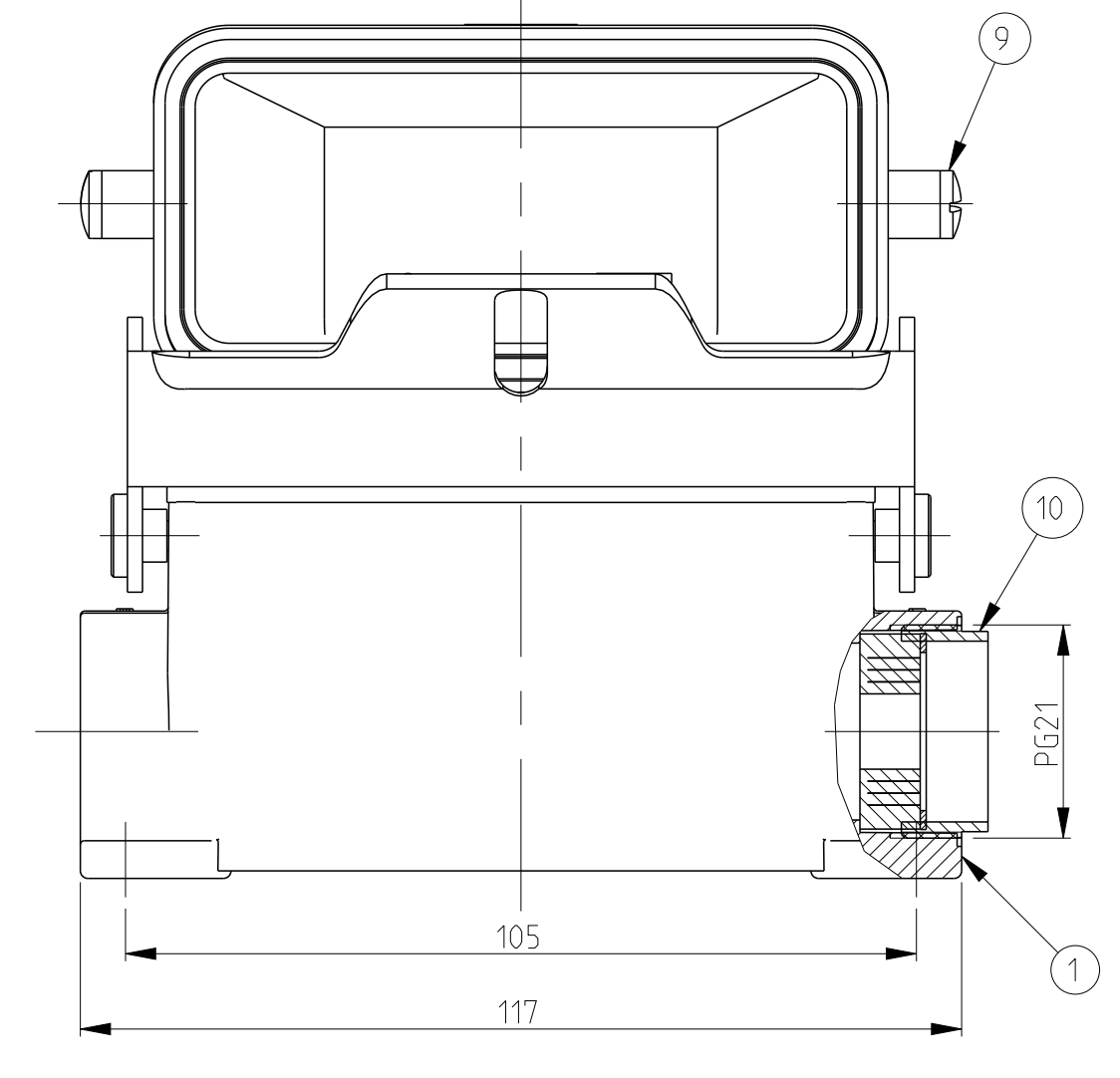
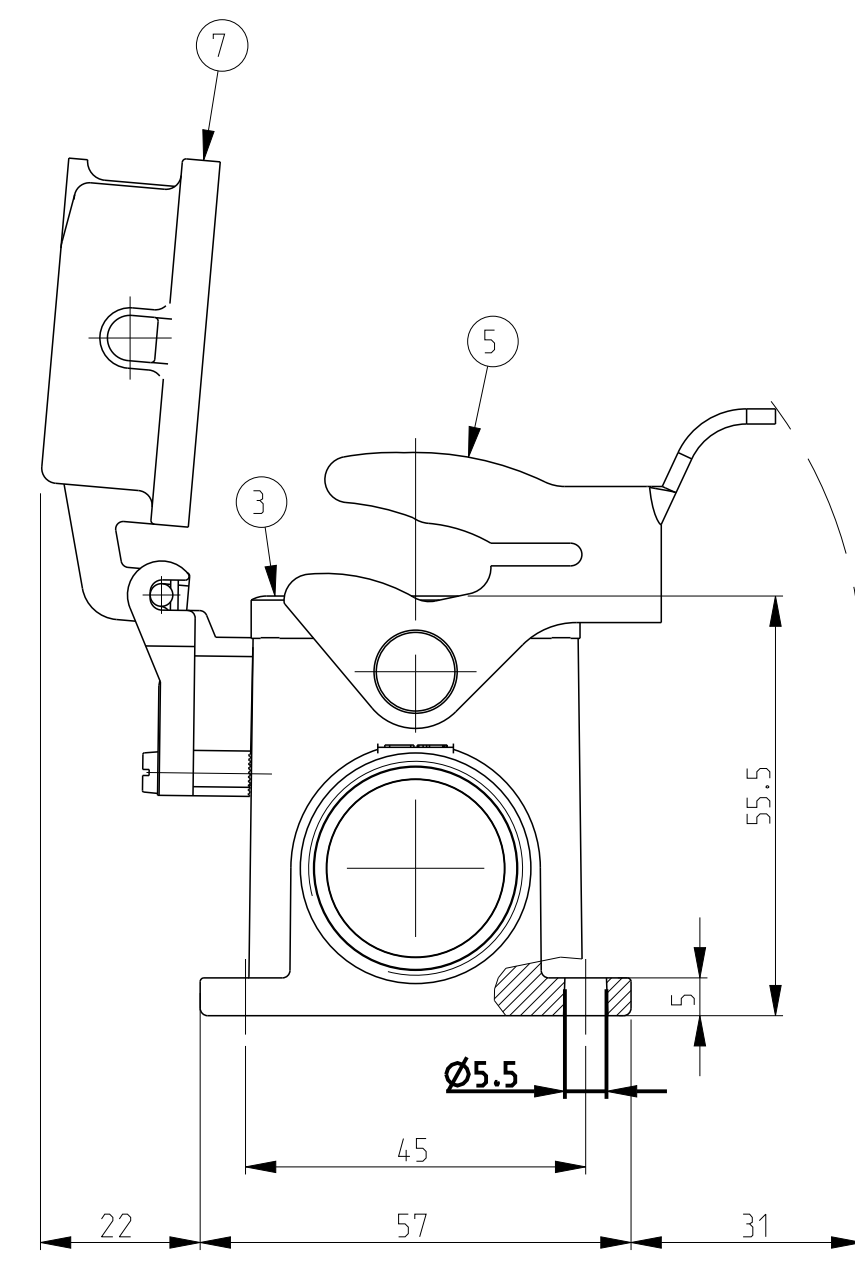
PN 2-2



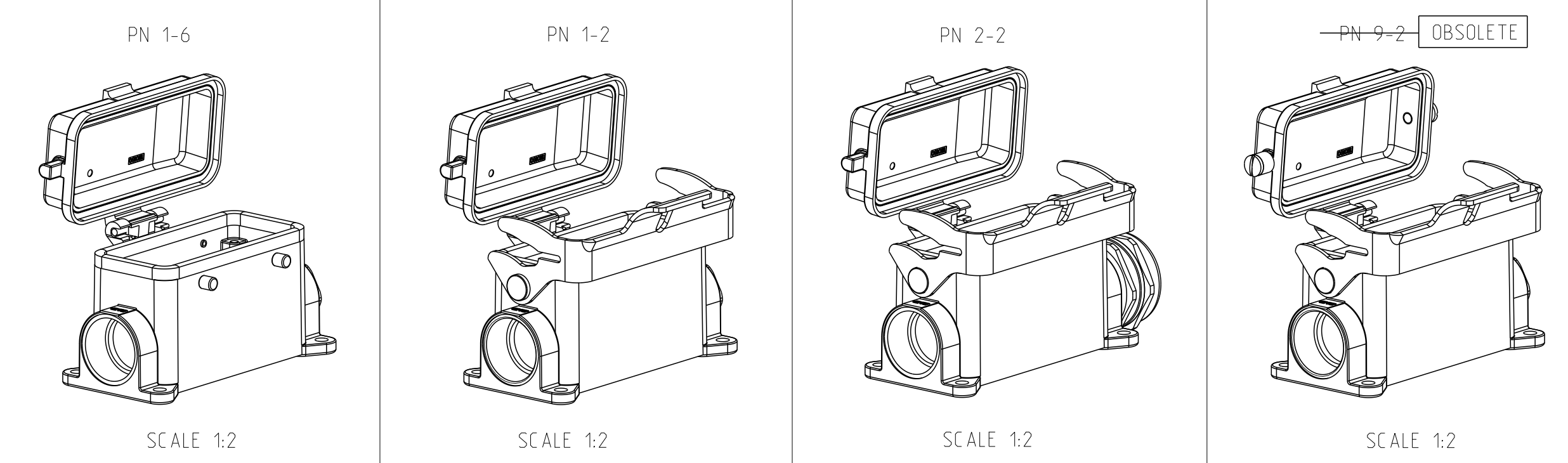
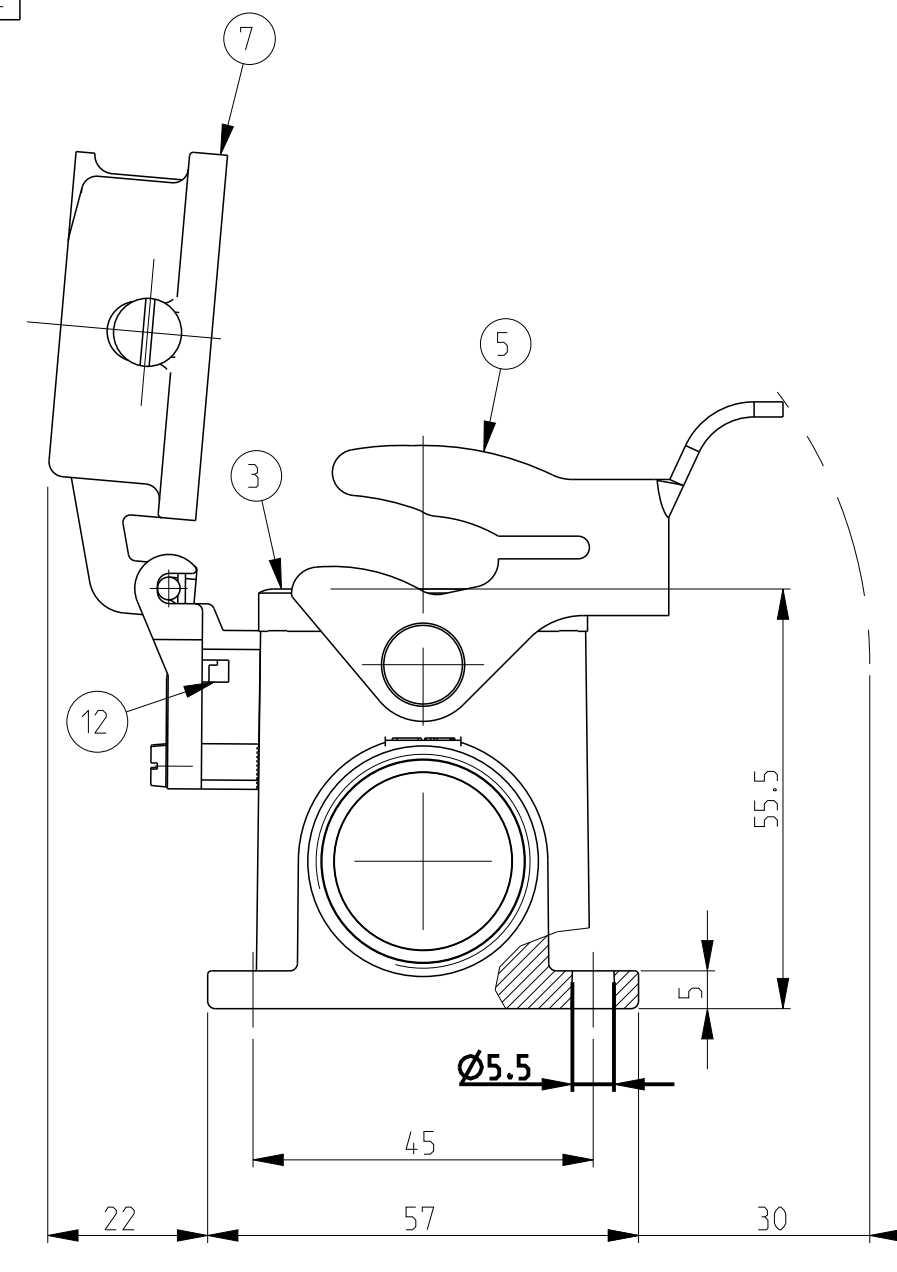
- NOTES.
- 1 Material:Housing-Aluminium Diecasting Alloy  
Seals:Neoprene
  - 2 Surface:Varnish  
-Aluminium Oxide +Varnish Black  
-Grey
  - 3 Varnish on the inside not necessary
  - 4 Packaging  
Quantity 5 Pieces in a box



PN 1-2



PN 2-2 OBSOLETE



QTY	DESCRIPTION	MATERIAL	SURFACE	COLOR	ITEM NO	REMARKS
1	Screw, Slotted Cheese Head	Steel	Zinc plated	Blue	12	M3x8
1	Gland Fitting round	Brass	Nickel plated	Blue	11	P1021
1	Cable fitting round	Brass	Nickel plated	Blue	10	P1021
2	LB-Clip Bolt	Steel	Zinc plated	Blue	9	
1	Cover finished product HB-K	Aluminium	Aluminium oxide	Black RAL 9005	8	
1	Cover finished product HB	Aluminium		Grey RAL 7001	7	
1	LB-Side Clip	Stainless steel	Blank	Grey RAL 7001	6	
1	LB-Side Clip	Steel	Zinc plated	Blue	5	
4	VS-Clip bolt	Steel	Zinc plated	Blue	4	
1	Profile seal	Neoprene		Black	3	
1	Surface mounted housing side entry HB-K	Aluminium	Aluminium oxide	Black RAL 9005	2	
1	Surface mounted housing side entry HB	Aluminium		Grey RAL 7001	1	

ORDERING TEXT  
 HB-16-SGD-1B.1.21  
 HB-16-SGD-1B.1.21  
 HB-K-16-SGD-1B.1.21  
 HB-W-SGD-1B.1.21

THIS DRAWING IS A CONTROLLED DOCUMENT.

DATE: 20.07.1999  
 BY: Schneider  
 DATE: 20.07.1999  
 BY: Schneider

TE Connectivity

PRODUCT SPEC: Surface mounted housing side entry HB-16-SGD.1.21

APPLICATION SPEC: 114-74.001.74.003

WEIGHT: -

CUSTOMER DRAWING

SCALE: 1:1

SHEET: 1 OF 1

REV: A5