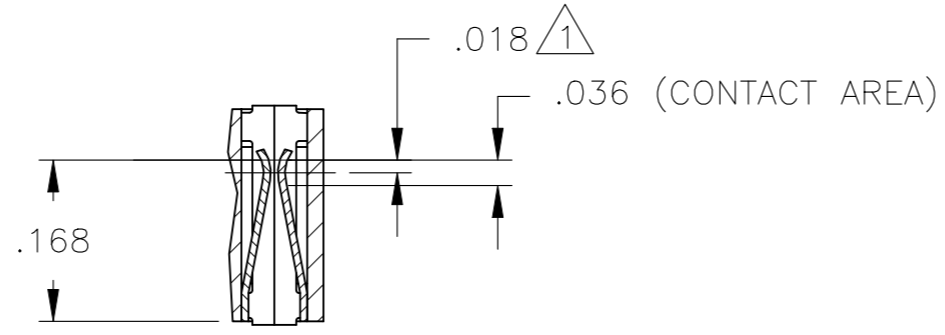
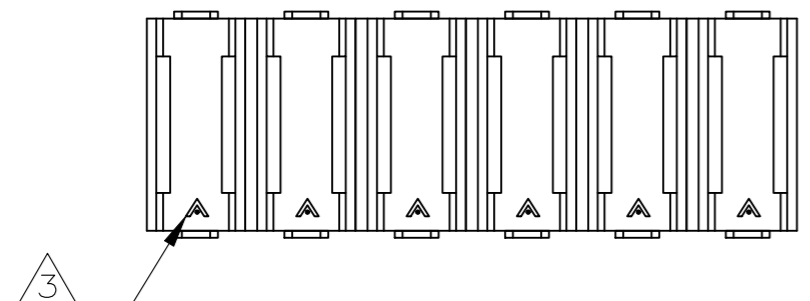
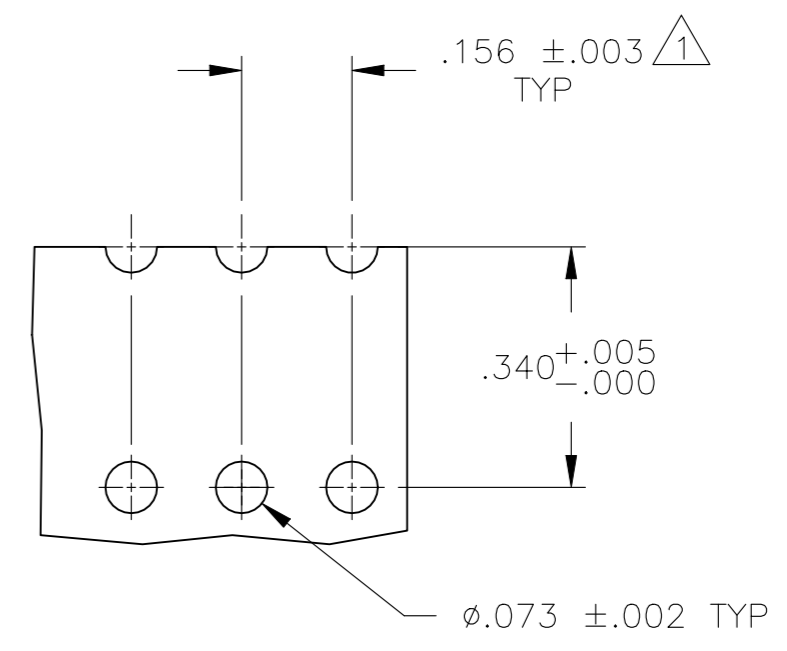
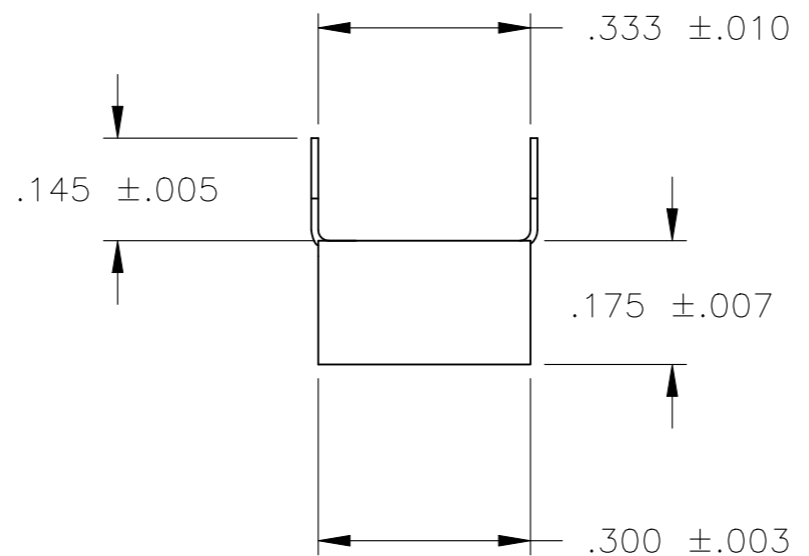
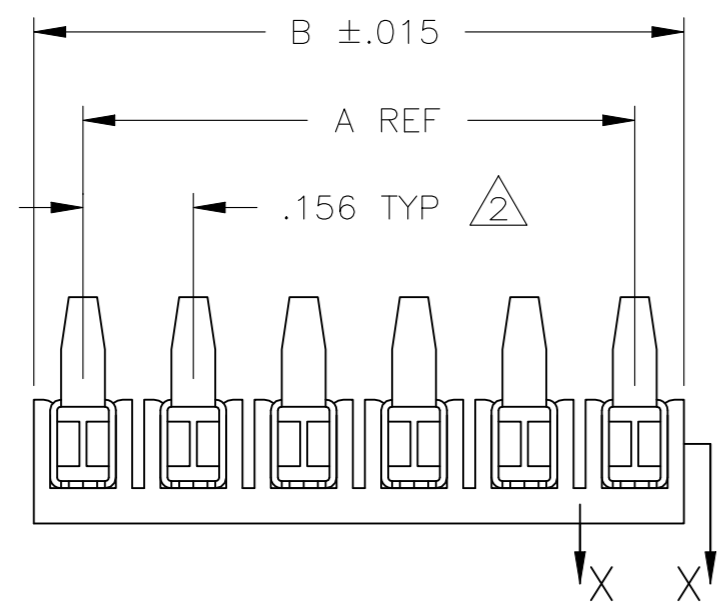


REVISIONS					
P	LTR	DESCRIPTION	DATE	DWN	APVD
C		RESIN SUPPLIER CHANGE FOR THE HOUSING	10MAY2022	SCB	PS

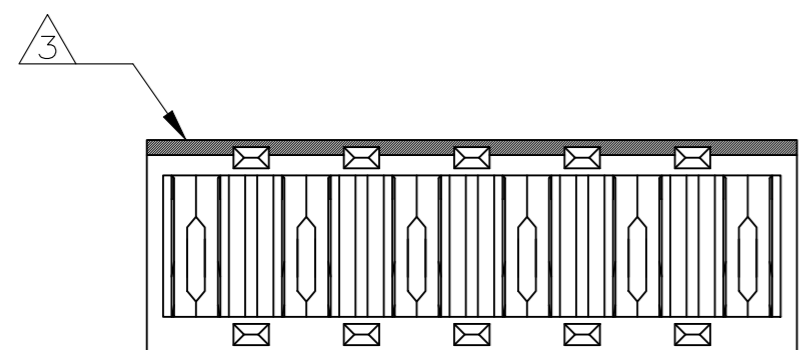


SECTION X-X

- ① POINT OF MEASUREMENT FOR PLATING THICKNESS (INSIDE OF BEAMS).
- ② TOLERANCE NON-CUMULATIVE.
- ③ THE MATING END OF THE CONTACT IS IDENTIFIED BY THE LETTER "A" STAMPED ON THE RECEPTACLE BOX AS WELL AS THE WHITE STRIPE LOCATED ON THE TOP OF THE HOUSING.
- ④ MATERIAL: HOUSING - FLAME RETARDANT THERMOPLASTIC, COLOR- BLACK. CONTACTS - PHOS BRONZE.
- ⑤ FINISH: CONTACTS- .000079 MIN THK TIN PLATE.



RECOMMENDED BOARD MOUNTING (RECOMMENDED BOARD THICKNESS: .055-.103)



1.872	1.716	12	1-147534-2
B	A	NO OF POSN	ASSEMBLY PART NUMBER

THIS DRAWING IS A CONTROLLED DOCUMENT.		DWN R BROWN 03NOV00	<b>TE</b> TE Connectivity	
DIMENSIONS: INCHES		CHK M ZITTO 02NOV00		
TOLERANCES UNLESS OTHERWISE SPECIFIED:		APVD M ZITTO 02NOV00	NAME	
0 PLC ± -		PRODUCT SPEC	ASSY, MOD I, BOARD MOUNT RECP, .156 CL, HIGH PRESSURE, TYPE C, FOR ROUND HOLE MOUNTING	
1 PLC ± -		108-25,016	SIZE	RESTRICTED TO
2 PLC ± -		APPLICATION SPEC	A2	-
3 PLC ± .005		114-25,004	CAGE CODE	DRAWING NO
4 PLC ± -		WEIGHT	00779	C=147534
ANGLES ± -		CUSTOMER DRAWING	SCALE	SHEET
FINISH		SEE NOTE 5	4:1	1 OF 1
SEE NOTE 4			REV	C