

PART NUMBER	ENG. NO	FINISHED LENGTH
1300240214	DND10A-M005	1FT 8IN [0.5M]
1300240215	DND10A-M010	3FT 3IN [1.0M]
1300240223	DND10A-M100	32FT 10IN [10.0M]

(B) CABLE LENGTH TOLERANCES

<.3M [1FT]: +19mm-0 [ +.75in-0]

.3 - .9M [1 - 3FT]: +44.5mm-0 [+1.75in-0]

.9 - 1.8M [3 - 6FT]: +55.6mm-0 [+2.19in-0]

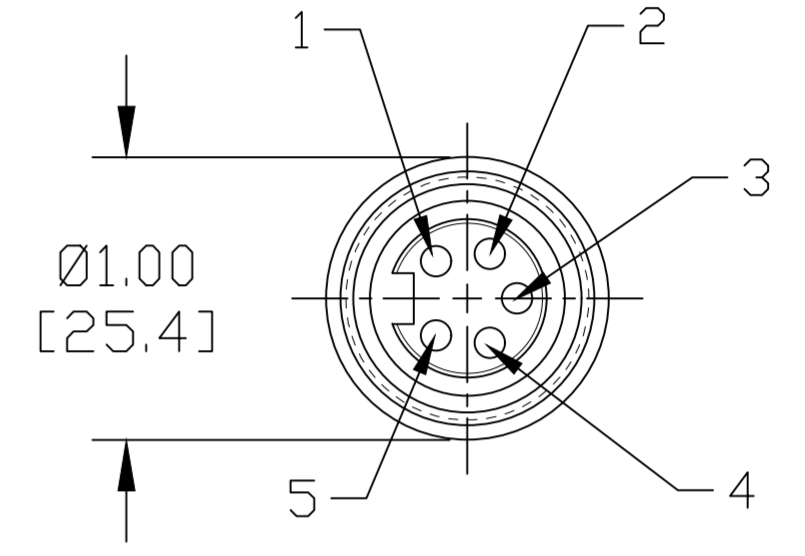
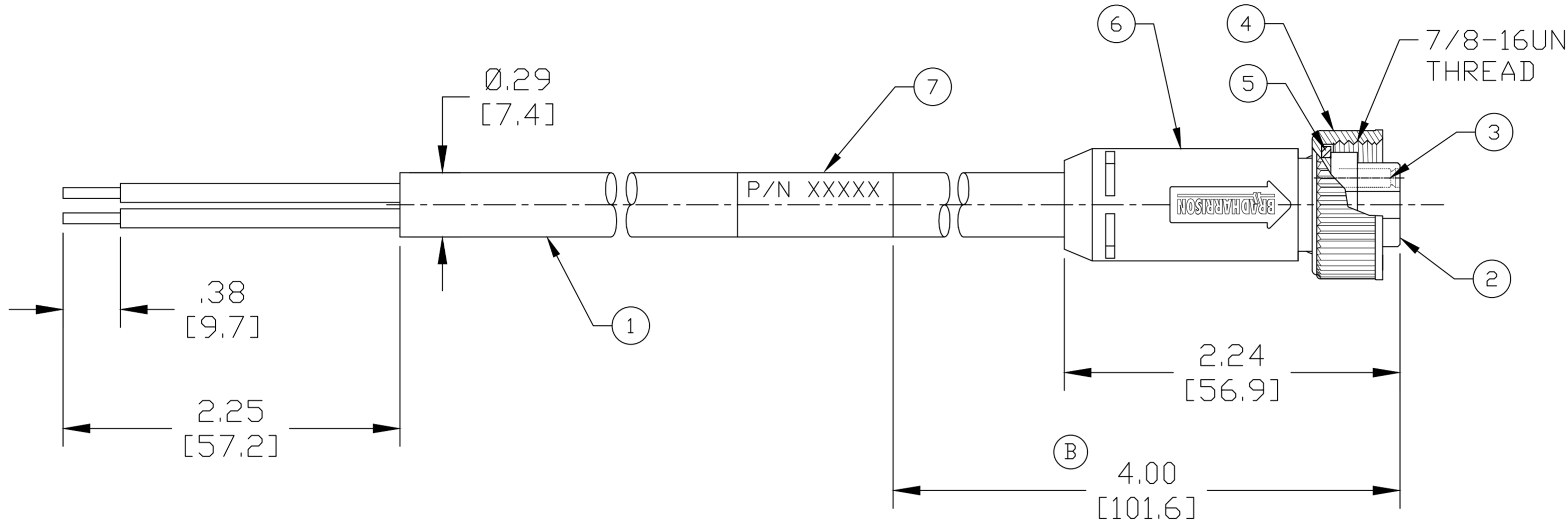
1.8 - 3.7M [6 - 12FT]: +88.9mm-0 [+3.50in-0]

3.7 - 7.3M [12 - 24FT]: +165.1mm-0 [+6.50in-0]

7.3-14.6M [24 - 48FT]: +317.5mm-0 [+12.50in-0]

14.6 - 30.5M [48-100FT]: +622.3mm-0 [+24.50in-0]

OVER 30M [100FT] +2% OF FINISHED LENGTH



FEMALE FACE VIEW

WIRING DIAGRAM

1	DRAIN
2	RED
3	BLACK
4	WHITE
5	BLUE

- NOTES:
- MATERIAL: AS NOTED
  - FINISH: AS NOTED
  - ELECTRICAL:
    - VOLTAGE: 300V PER IEC 60664 (B)
    - 300V PER UL 2238
    - CURRENT: 4A
  - TEMP RATING: -20°C TO +80°C
  - PROTECTION: IP67 (WHEN MATED)
  - COUPLING THREAD: AS NOTED
  - UL RECOGNIZED FILE: E152210  
CSA RECOGNIZED FILE: LR6837
  - ALL DIMS ARE FOR REFERENCE UNLESS TOLERANCED OR NOTED OTHERWISE

PART NO. LEGEND

**DND10A-M010**

CABLE TYPE DEVICE-NET

FINISHED LENGTH  
M005----0.5 Meter  
M010----1 Meter  
M100----10 Meter

ITEM	DESCRIPTION	MATERIAL	FINISH
7	WRAP LABEL	VINYL	BLACK/YELLOW
6	OVERMOLD	TPE (B)	GRAY
5	FRICTION RING	NYLON	WHITE
4	COUPLING NUT, INT. THD	ZINC DIE-CAST	BLACK E-COAT
3	CONTACT SOCKET	COPPER ALLOY	GOLD PLATED
2	FEMALE INSERT	TPE (B)	BLACK (B)
1	CABLE, 22AWG DEV-NET DROP	PVC JACKET	GRAY

THIS DRAWING CONTAINS INFORMATION THAT IS PROPRIETARY TO MOLEX ELECTRONIC TECHNOLOGIES, LLC AND SHOULD NOT BE USED WITHOUT WRITTEN PERMISSION

FUNCTIONAL SYMBOLS	DIMENSION UNITS	SCALE	CURRENT REV DESC: REV NOTES, LABEL DIM WAS 12/14 IN, O-MOLD WAS PVC, INSERT WAS PVC GRAY ADD CABLE LENGTH TOL, UPDATE BORDER
FA=0	INCH/MM	NTS	
EC=0	GENERAL TOLERANCES (UNLESS SPECIFIED)		
EP=0	mm	INCH	
DIVISIONAL SYMBOLS	4 PLACES	±----	EC NO: 688872
	3 PLACES	±----	DRWN: RSTONE 2021/12/14
	2 PLACES	±----	CHK'D: ALEON01 2021/12/15
	1 PLACE	±----	APPR: BWOODMAN 2021/12/15
	0 PLACES	±----	INITIAL REVISION:
	ANGULAR TOL ± ---- °		DRWN: E BRACKEN 2013/09/12
	DRAFT WHERE APPLICABLE MUST REMAIN WITHIN DIMENSIONS	THIRD ANGLE PROJECTION	APPR: BWOODMAN 2013/10/07

<b>molex</b>	
MINI-CHANGE DEVICE-NET CABLE ASSY	
5 POLE STRAIGHT FEMALE, SINGLE KEY 22/4 DROP CABLE, GRAY PVC	
PRODUCT CUSTOMER DRAWING	
DOCUMENT NUMBER	DOC TYPE/DOC PART/REVISION
SD-130024-018	PSD 001 B
MATERIAL NUMBER	CUSTOMER
SEE P/N LEGEND	GENERAL MARKET
SHEET NUMBER	
1 OF 1	