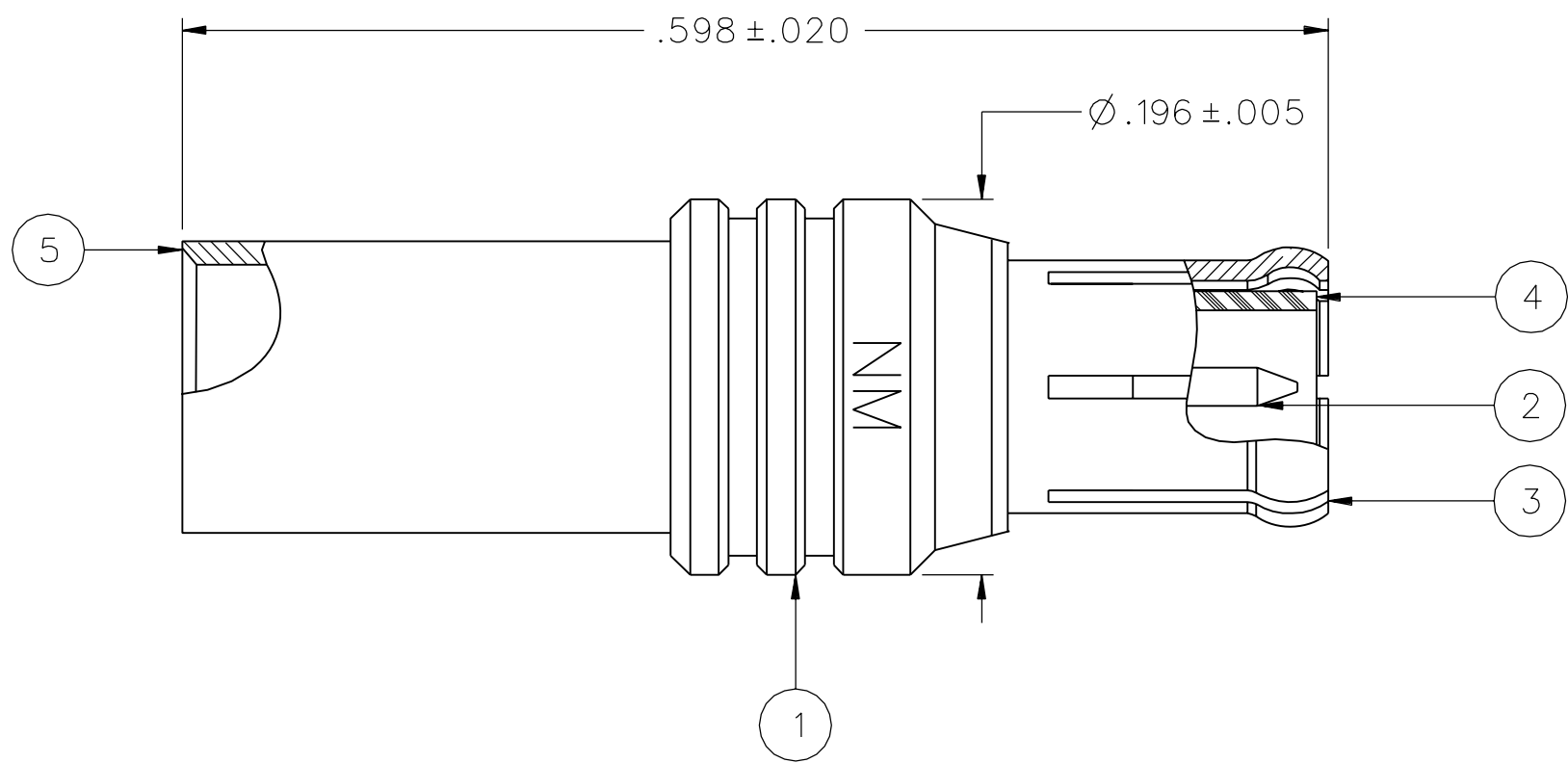


PART NUMBER	ITEM ① BODY	ITEM ② CONTACT	ITEM ③ INTERFACE	ITEM ④ INSULATOR	ITEM ⑤ CRIMP SLEEVE
133-9403-001	COPPER ALLOY GOLD PL .00005 MIN OVER COPPER PL .00005 MIN	COPPER ALLOY GOLD PL .00005 MIN OVER COPPER PL .00005 MIN	BERYLLIUM COPPER GOLD PL .00005 MIN OVER COPPER PL .00005 MIN	TEFLON	COPPER COPPER GOLD PL .00005 MIN OVER COPPER PL .00005 MIN
133-9403-004	COPPER ALLOY SILVER PL .00005 MIN OVER COPPER PL .00005 MIN	COPPER ALLOY SILVER PL .00005 MIN OVER COPPER PL .00005 MIN	BERYLLIUM COPPER SILVER PL .00005 MIN OVER COPPER PL .00005 MIN	TEFLON	COPPER COPPER SILVER PL .00005 MIN OVER COPPER PL .00005 MIN

DRAWING NO. C - 133-9403-001/010	
0	REVISIONS
ENGINEERING RELEASE	
1	7-18-03 R H T A K J B ECN 48901
COPPER ALLOY WAS COPPER, END VERSION UPDATE	
2	2-21-07 P A T J D S A K T M J U ECN 1



NOTES:

IMPEDANCE: 50 OHMS  
 FREQUENCY RANGE: 0-6 GHz  
 VSWR: 1.13+.04F MAX (F IN GHz)  
 WORKING VOLTAGE: 335 VRMS MAX AT SEA LEVEL  
 DIELECTRIC WITHSTANDING VOLTAGE: 1000 VRMS MIN AT SEA LEVEL  
 INSULATION RESISTANCE: 10000 MEGOHM MIN  
 CONTACT RESISTANCE:  
 CENTER CONTACT - INITIAL 5 MILLIOHM MAX, AFTER ENVIRONMENTAL 8 MILLIOHM MAX  
 OUTER CONDUCTOR - INITIAL 1 MILLIOHM MAX, AFTER ENVIRONMENTAL 1.5 MILLIOHM MAX  
 BODY TO CABLE - INITIAL 1 MILLIOHM MAX, AFTER ENVIRONMENTAL NOT APPLICABLE  
 CORONA LEVEL: 250 VOLTS MINIMUM AT 70,000 FEET  
 INSERTION LOSS: .1DB MAX AT 1GHz  
 RF LEAKAGE: -55 DB AT 2.5 GHz  
 RF HIGH POTENTIAL WITHSTANDING VOLTAGE: 700 VRMS AT 4 AND 7 MHz

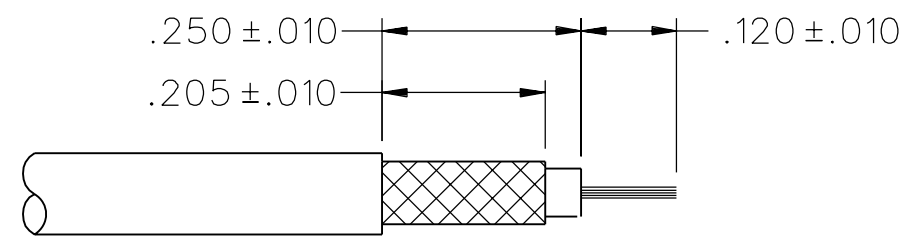
MECHANICAL:

ENGAGE/DISENGAGE FORCE: 5.6 LBS MAX ENGAGEMENT  
 1.0/8.0 LBS MIN/MAX DISENGAGEMENT  
 CONTACT RETENTION FORCE: 2.3 LBS MIN AXIAL FORCE  
 CONTACT RETENTION TORQUE: NOT APPLICABLE  
 COUPLING MECHANISM RETENTION: NOT APPLICABLE  
 CABLE ACCEPTABILITY: RG 188/U, RG 316/U, RG 161/U, RG 174/U  
 CABLE HEX CRIMP SIZE: .128  
 CABLE RETENTION: 20 LBS MIN AXIAL FORCE  
 DURABILITY: 500 CYCLES MIN

ENVIRONMENTAL:

(MEETS OR EXCEEDS THE APPLICABLE PARAGRAPH OF MIL-PRF-39012)  
 THERMAL SHOCK: MIL-STD-202, METHOD 107, CONDITION F  
 OPERATING TEMPERATURE: -65 DEG C TO 165 DEG C  
 CORROSION: MIL-STD-202, METHOD 101, CONDITION B  
 SHOCK: MIL-STD-202, METHOD 213, CONDITION B  
 VIBRATION: MIL-STD-202, METHOD 204, CONDITION B  
 MOISTURE RESISTANCE: MIL-STD-202, METHOD 106

2. CONNECTOR MARKED "NM" FOR NON-MAGNETIC



CABLE STRIP DIMENSIONS


4:1

CUSTOMER DRAWING

THIS DRAWING TO BE INTERPRETED PER ASME Y 14.5M - 1994

"μSTATION"

COMPANY CONFIDENTIAL

TOLERANCE UNLESS OTHERWISE SPECIFIED	DRAWN BY <b>RSH</b>	DATE 2-3-03	 <b>Cinch</b> <small>CONNECTIVITY SOLUTIONS</small> <small>a bel group</small>	Cinch Connectivity Solutions P.O. Box 1732 Waseca, MN 56093 1-800-247-8256
DECIMALS _____ mm _____	CHECKED BY TAK	DATE 7-29-03		TITLE PLUG ASSEMBLY STRAIGHT CABLED, RG 316 NON-MAGNETIC MCX
.XX _____	APPROVED BY RJB	DATE 7-29-03	SHEET 2 OF 2	DRAWING NO. C - 133-9403-001/010
.XXX ±.003 _____	RELEASE DATE 7-29-03	SCALE 10:1		
MATL _____	U/M INCH			
FINISH _____				