

Pin strip - PST 1,3/ 4-LH-5,0 - 1704327

Please be informed that the data shown in this PDF Document is generated from our Online Catalog. Please find the complete data in the user's documentation. Our General Terms of Use for Downloads are valid (<http://phoenixcontact.com/download>)


Pin strip, number of positions: 4, pitch: 5 mm, color: black, Specifically for PT 2,5/..-PVH



The figure shows a 10-position version of the product



Key Commercial Data

Packing unit	250 pc
GTIN	 4 017918 994938
GTIN	4017918994938

Technical data

Dimensions

Length [l]	1.8 mm
Width	19.86 mm
Pitch	5 mm
Dimension a	15 mm
Width [w]	19.86 mm
Height [h]	14.7 mm
Height	11.2 mm
Length of the solder pin	3.5 mm
Length	1.8 mm

General

Range of articles	PST 1,3/..-LH
Insulating material group	IIIb
Rated surge voltage (III/3)	4 kV
Rated surge voltage (III/2)	4 kV
Rated surge voltage (II/2)	4 kV
Rated voltage (III/3)	250 V

Pin strip - PST 1,3/ 4-LH-5,0 - 1704327

Technical data

General

Rated voltage (III/2)	400 V
Rated voltage (II/2)	400 V
Connection in acc. with standard	EN-VDE
Nominal current I_N	13.5 A (depends on the plug used)
Maximum load current	13.5 A (depends on the plug used)
Insulating material	PA
Flammability rating according to UL 94	V0
Color	black
Number of positions	4

Standards and Regulations

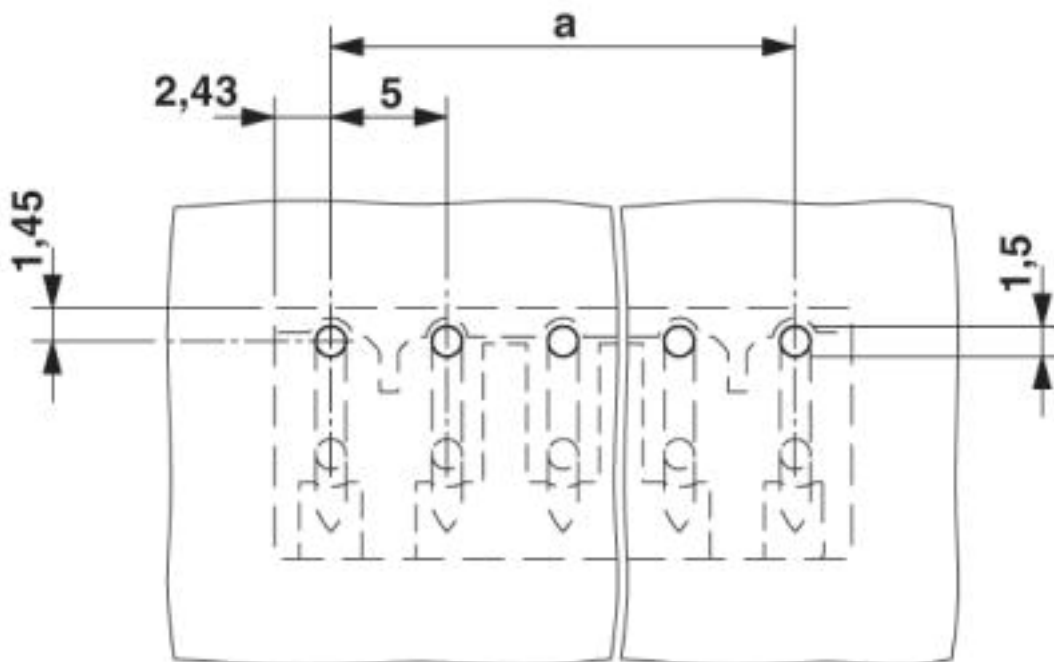
Connection in acc. with standard	EN-VDE
	CUL
Flammability rating according to UL 94	V0

Environmental Product Compliance

China RoHS	Environmentally friendly use period: unlimited = EFUP-e
	No hazardous substances above threshold values

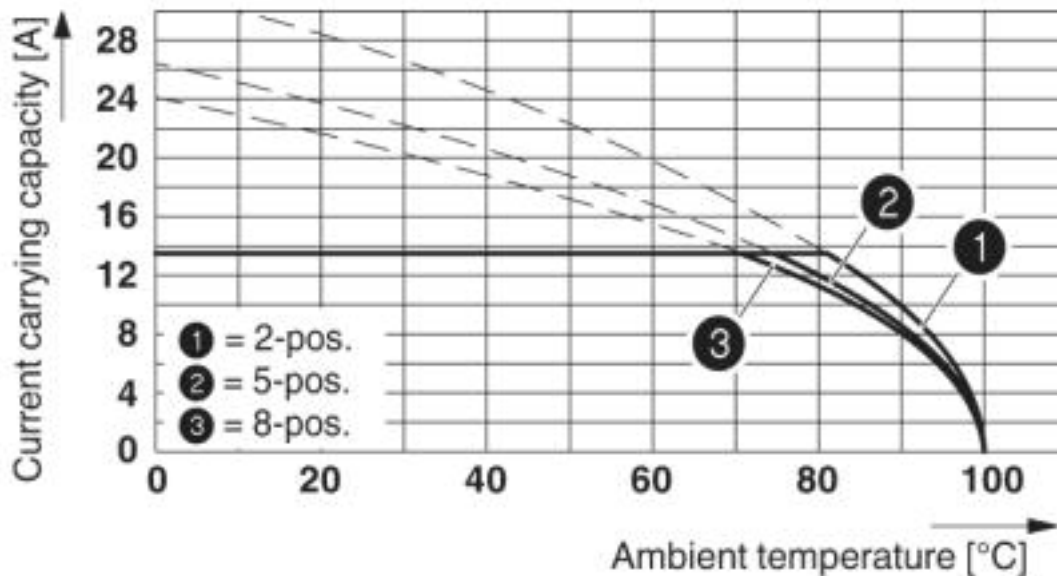
Drawings

Drilling diagram



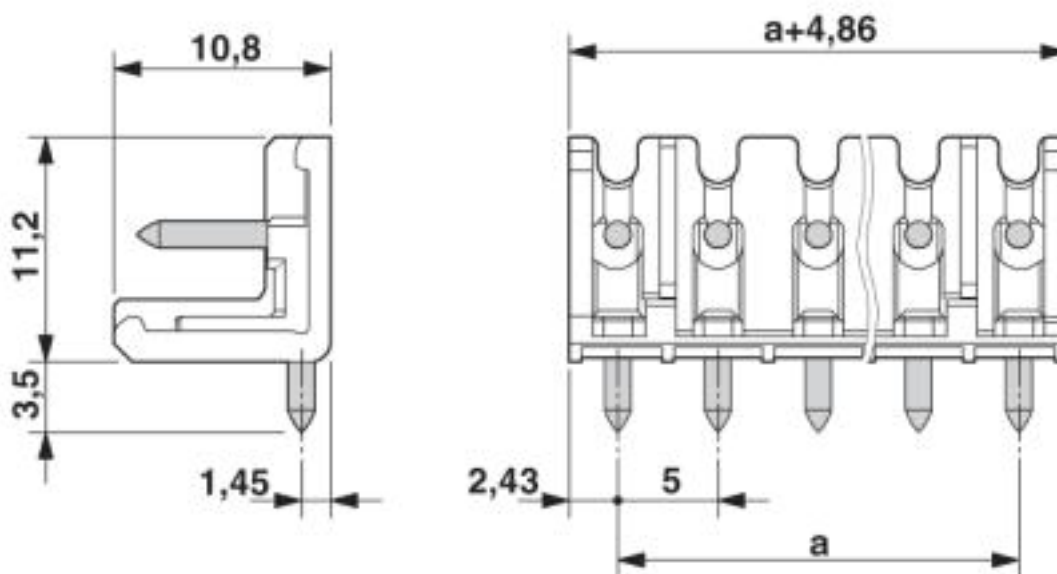
Pin strip - PST 1,3/ 4-LH-5,0 - 1704327

Diagram



Derating diagram in connection with PT 2,5/...-PVH-5,0; reduction factor=0.8; conductor cross section=4 mm²

Dimensional drawing



Approvals

Approvals

Approvals


EAC / cULus Recognized


Pin strip - PST 1,3/ 4-LH-5,0 - 1704327

Approvals

Ex Approvals

Approval details

EAC		B.01742
-----	-----------------------------------------------------------------------------------	---------

cULus Recognized		http://database.ul.com/cgi-bin/XYV/template/LISEXT/1FRAME/index.htm	E60425-20030211
	B	D	
Nominal voltage UN	300 V	300 V	
Nominal current IN	10 A	10 A	

Phoenix Contact 2019 © - all rights reserved
<http://www.phoenixcontact.com>

PHOENIX CONTACT GmbH & Co. KG
Flachsmarktstr. 8
32825 Blomberg
Germany
Tel. +49 5235 300
Fax +49 5235 3 41200
<http://www.phoenixcontact.com>