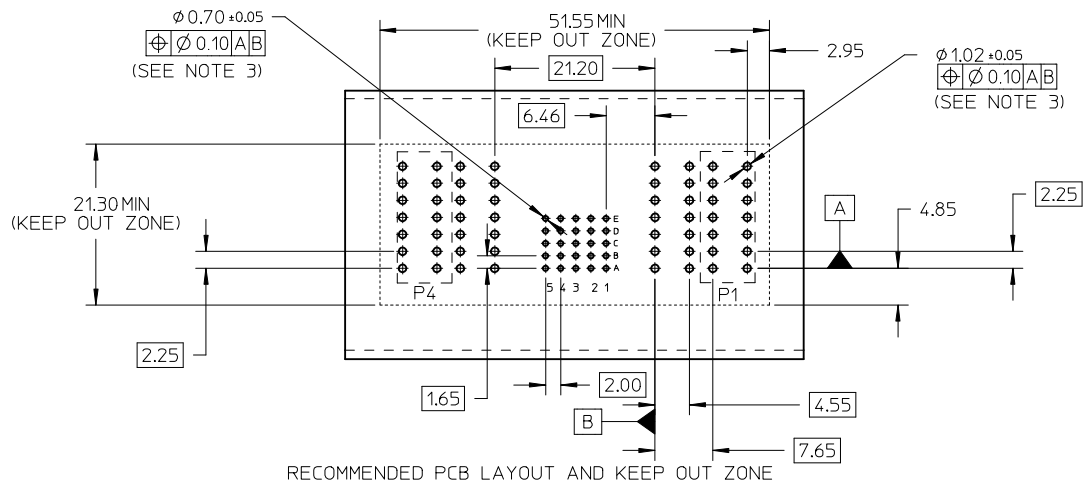
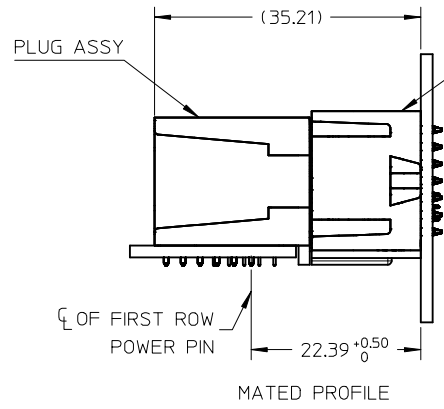
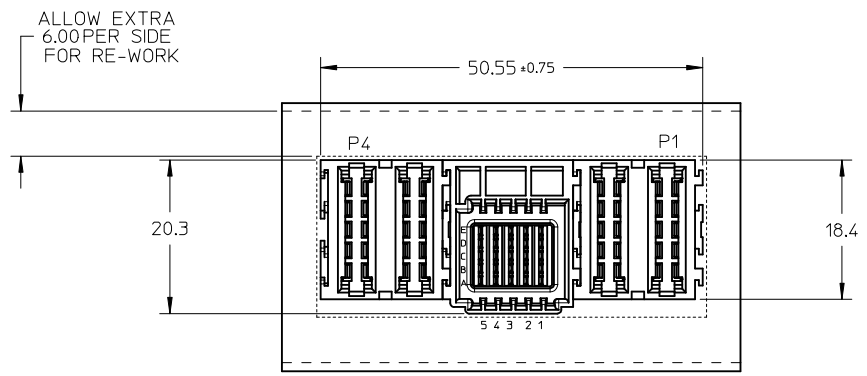
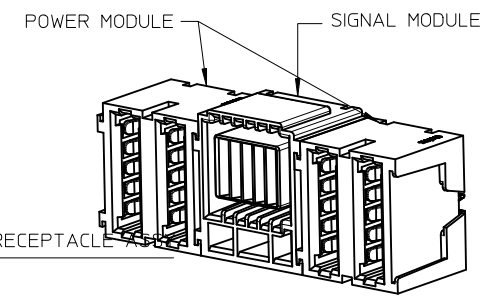
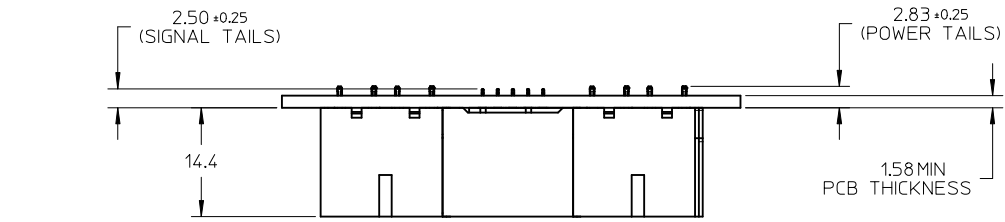


10 9 8 7 6 5 4 3 2 1

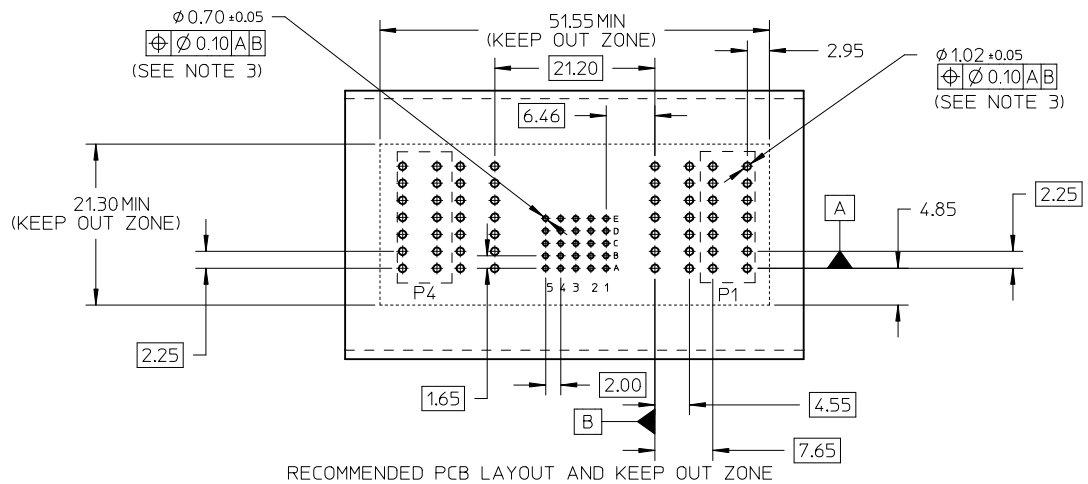
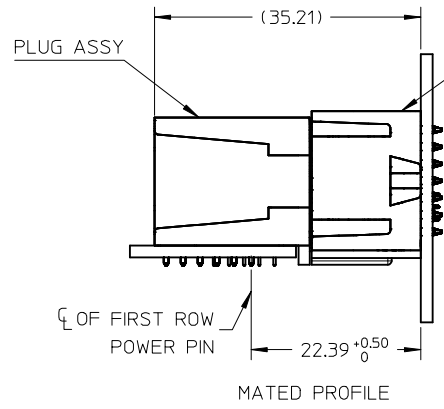
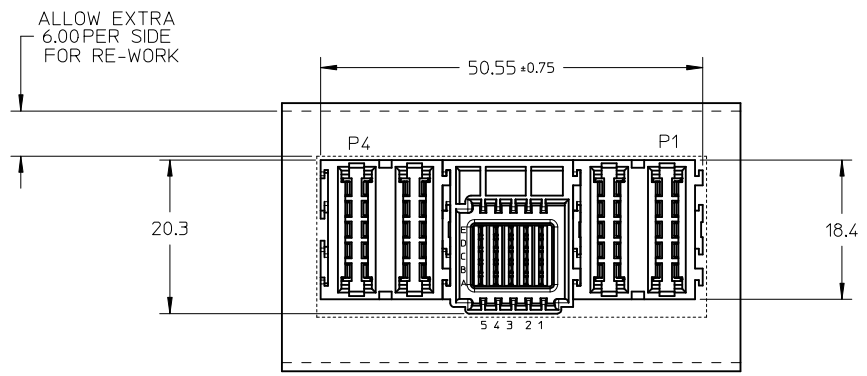
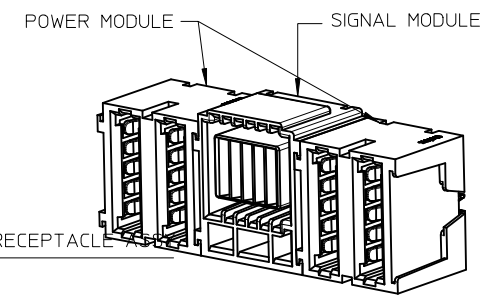
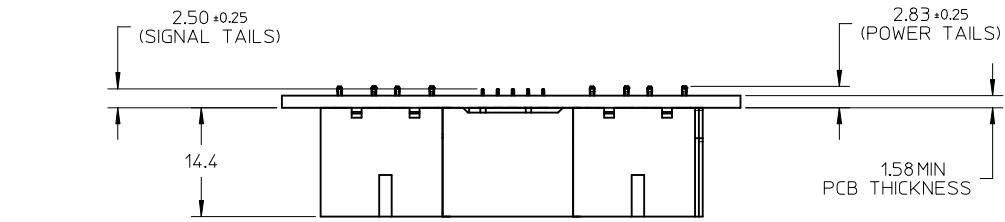


- NOTE:
- MATERIAL:
    - HOUSINGS: LCP UL94, V-0, COLOR: BLACK
    - TERMINALS: COPPER ALLOY
    - PLATING: 1.27 $\mu$ m (50 $\mu$ ) NICKEL OVERALL WITH 2.54 $\mu$ m (100 $\mu$ ) SELECTIVE TIN ON TAILS AND 0.762 $\mu$ m (30 $\mu$ ) SELECTIVE GOLD ON CONTACT AREA
  - PACKAGING SPECIFICATION: PK-172186-0002
  - PLATED THRU HOLE SIZE, REFER TO PS-172185-0001 FOR DETAILS
  - PRODUCT SPEC: PS-172185-0001
  - PRODUCT TO MEET RoHS REQUIREMENTS
  - FOR MATING PARTS SEE PLUG ASSEMBLY SD-172185-0008
  - TAIL DESIGN: COMPLIANT PIN
  - POWER AND SIGNAL CONTACTS ARE LUBRICATED

UPDATE PK SPEC EC NO: S2018-0069 DRWN:CGOH 2017/08/03 CHYKDEANG 2017/08/18 APPR:KHLIM 2017/08/18	QUALITY SYMBOLS $F_A=0$ $F_C=0$ $F_P=0$	GENERAL TOLERANCES (UNLESS SPECIFIED)		DIMENSION STYLE		SCALE	DESIGN UNITS	THIRD ANGLE PROJECTION		
				MM ONLY		NTS	METRIC			
				mm	INCH	DRAWN BY		DATE		TITLE
						CGOH	2015/01/04		2P-25S-2P VERTICAL RECEPTACLE MODULAR ENERGETIC POWER	
A1	DESCRIPTION	4 PLACES ± --- ± ---		CHECKED BY		DATE		molex DOCUMENT NO. SD-172186-0008 SHEET NO. 1 OF 1		
		3 PLACES ± --- ± ---		CGOH		2015/01/04				
		2 PLACES ± 0.13 ± ---		APPROVED BY		DATE				
		1 PLACE ± 0.25 ± ---		KHLIM		2015/06/09				
0 PLACE ± --- ± ---		ANGULAR ± 3 °		MATERIAL NO.		172186-0008				
DRAFT WHERE APPLICABLE MUST REMAIN WITHIN DIMENSIONS		SIZE		THIS DRAWING CONTAINS INFORMATION THAT IS PROPRIETARY TO MOLEX INCORPORATED AND SHOULD NOT BE USED WITHOUT WRITTEN PERMISSION						

9 8 7 6 5 4 3 2 1

10 9 8 7 6 5 4 3 2 1



- NOTE:
- MATERIAL:
    - HOUSINGS: LCP UL94, V-0, COLOR: BLACK
    - TERMINALS: COPPER ALLOY
    - PLATING: 1.27 $\mu$ m (50 $\mu$ ) NICKEL OVERALL WITH 2.54 $\mu$ m (100 $\mu$ ) SELECTIVE TIN ON TAILS AND 0.762 $\mu$ m (30 $\mu$ ) SELECTIVE GOLD ON CONTACT AREA
  - PACKAGING SPECIFICATION: PK-172186-0002
  - PLATED THRU HOLE SIZE, REFER TO PS-172185-0001 FOR DETAILS
  - PRODUCT SPEC: PS-172185-0001
  - PRODUCT TO MEET RoHS REQUIREMENTS
  - FOR MATING PARTS SEE PLUG ASSEMBLY SD-172185-0008
  - TAIL DESIGN: COMPLIANT PIN
  - POWER AND SIGNAL CONTACTS ARE LUBRICATED

UPDATE PK SPEC EC NO: S2018-0069 DRWN:CGOH 2017/08/03 CHYKDEANG 2017/08/18 APPR:KHLIM 2017/08/18	QUALITY SYMBOLS $F_A=0$ $F_C=0$ $F_P=0$	GENERAL TOLERANCES (UNLESS SPECIFIED)		DIMENSION STYLE		SCALE	DESIGN UNITS	THIRD ANGLE PROJECTION		
				MM ONLY		NTS	METRIC			
				mm	INCH	TITLE		2P-25S-2P		
						DRAWN BY CGOH DATE 2015/01/04		VERTICAL RECEPTACLE		
				CHECKED BY CGOH DATE 2015/01/04		MODULAR ENERGETIC POWER				
				APPROVED BY KHLIM DATE 2015/06/09		molex				
				MATERIAL NO. 172186-0008		DOCUMENT NO. SD-172186-0008		SHEET NO. 1 OF 1		
				SIZE A3		THIS DRAWING CONTAINS INFORMATION THAT IS PROPRIETARY TO MOLEX INCORPORATED AND SHOULD NOT BE USED WITHOUT WRITTEN PERMISSION				

9 8 7 6 5 4 3 2 1