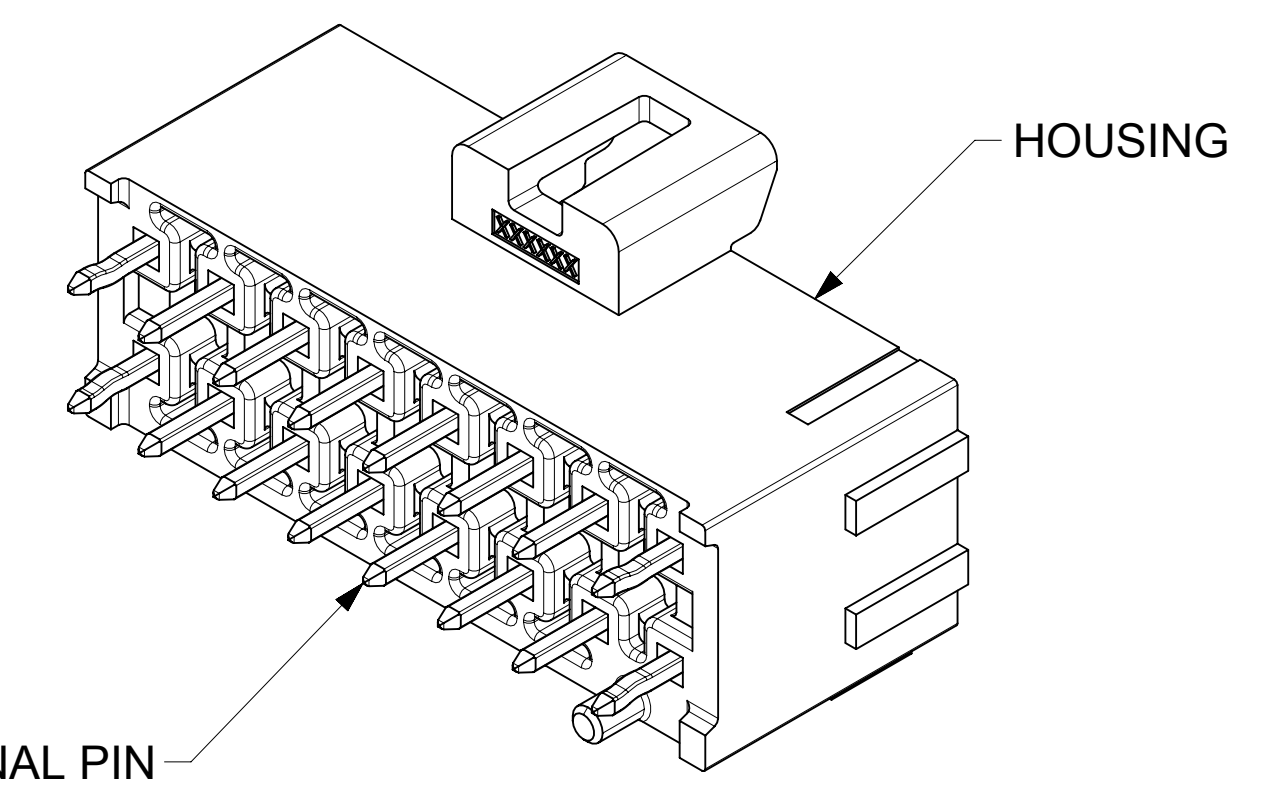
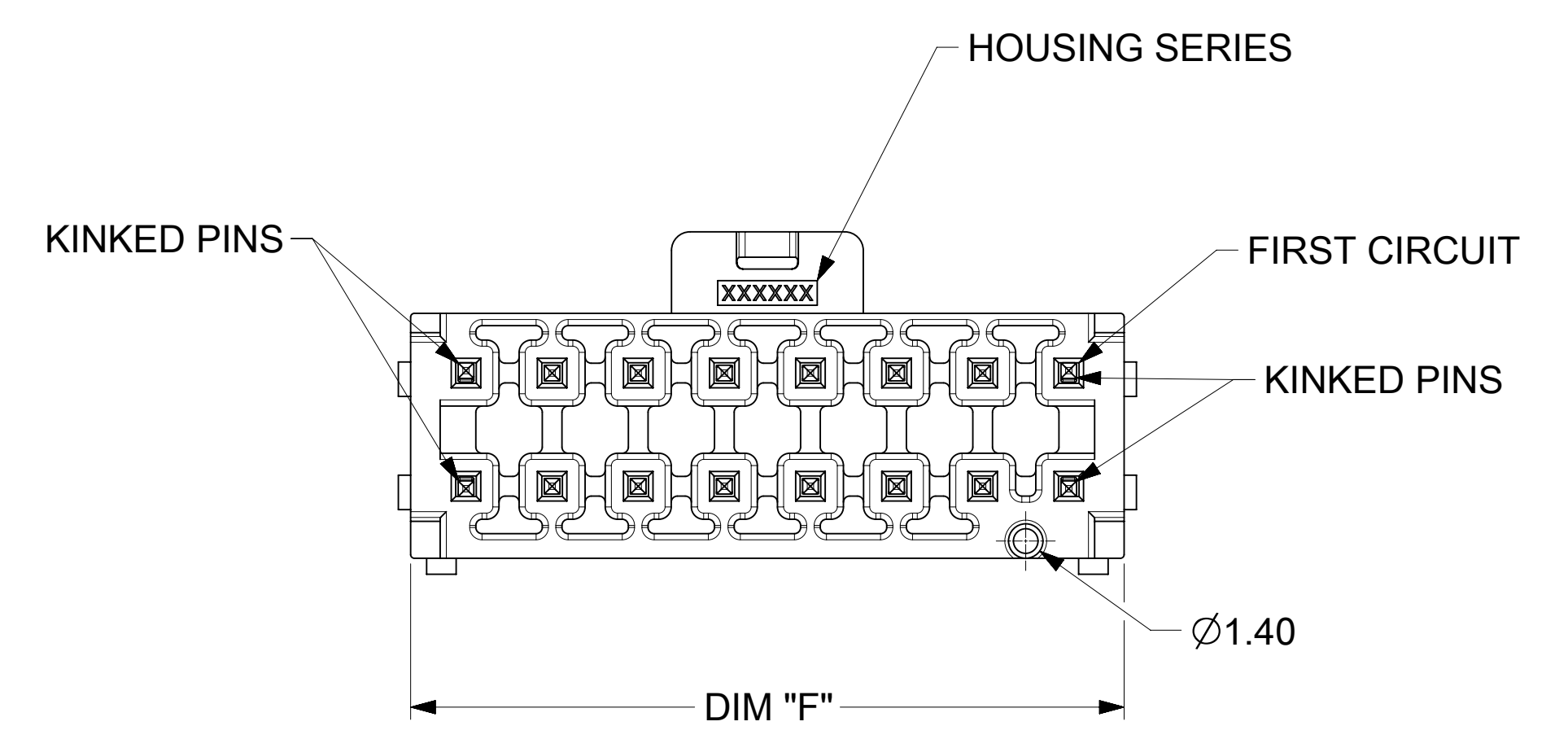
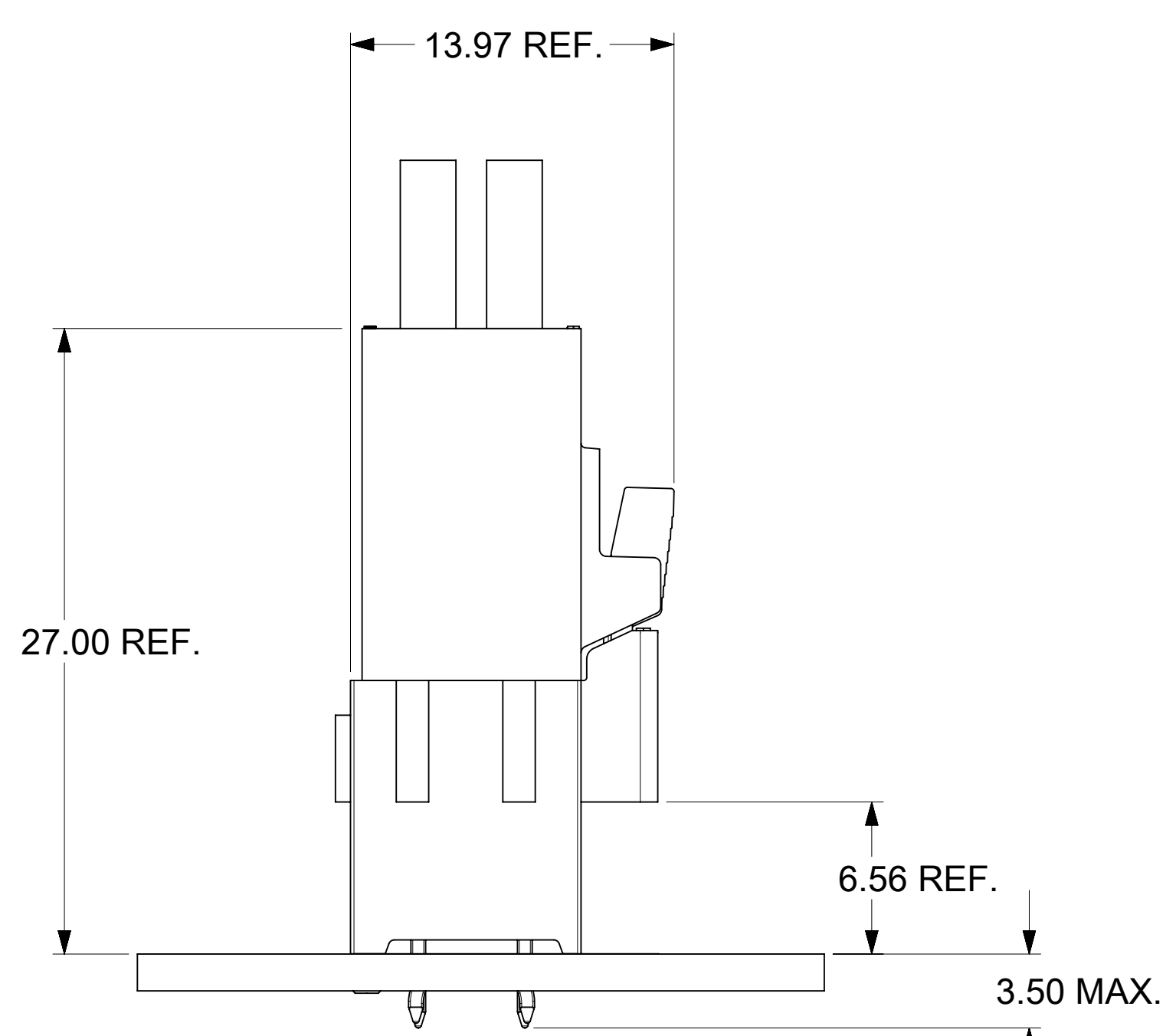


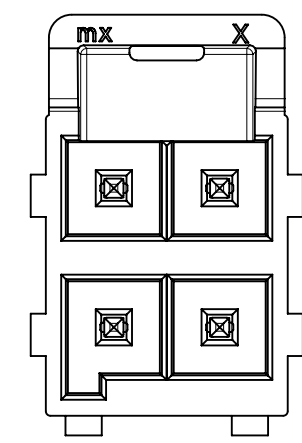
SECTION Y-Y
SCALE 8:1



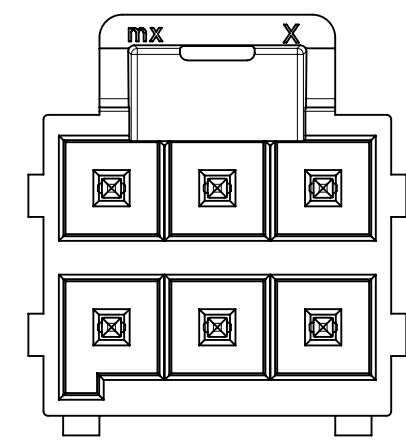
- NOTES:
- MATERIAL :
HOUSING
OPTION 1: LCP BLACK, UL94 V-0
OPTION 2: LCP NATURAL, UL94 V-0
TERMINAL: COPPER ALLOY
 - PLATING FINISH:
OPTION 1 - 1.52µm(60µin)-2.54µm(100µin) TIN OVER,
1.27µm(50µin)-2.54µm(100µin) NICKEL OVERALL,
OPTION 2 - 0.38µm(15µin) GOLD CONTACT AREA,
1.52µm(60µin)-2.54µm(100µin) TIN TAIL AREA OVER,
1.27µm(50µin)-2.54µm(100µin) NICKEL OVERALL.
OPTION 3 - 0.76µm(30µin) GOLD CONTACT AREA,
1.52µm(60µin)-2.54µm(100µin) TIN TAIL AREA OVER,
1.27µm(50µin)-2.54µm(100µin) NICKEL OVERALL.
 - PACKAGE SPECIFICATION REFER TO CHART IN SHEET 3.
 - PRODUCT SPECIFICATION PS-172323-0001.
 - PART MATES WITH MOLEX RECEPTACLE HOUSING 172258 AND 172262.
 - PART CONFORMS TO CLASS "C" REQUIREMENTS OF SPECIFICATION PS-45499-002 WITH 0.13 MM MAXIMUM FLASH ALLOWED IN CORE HOLES AND FRONT SURFACE.
 - DISCOLORATION IN THE BANDOLIER AREA OF THE PIN IS INHERENT TO THE PLATING PROCESS AND IS DUE TO THE MASKING EFFECT OF THE CARRIER. THIS DISCOLORATION IS IN A NON-FUNCTIONAL AREA OF THE PIN AND WILL NOT AFFECT THE PERFORMANCE OF THE HEADER ASSEMBLY.
 - APPLICATION SPECIFICATION: AS-172323-0001



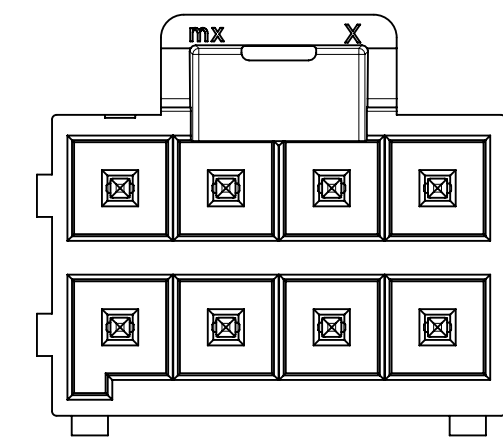
FUNCTIONAL SYMBOLS FA = 0 FE = 0 FP = 0	THIS DRAWING CONTAINS INFORMATION THAT IS PROPRIETARY TO MOLEX ELECTRONIC TECHNOLOGIES, LLC AND SHOULD NOT BE USED WITHOUT WRITTEN PERMISSION		CURRENT REV DESC:				
	DIMENSION UNITS	SCALE					
	mm	4:1			ULTRA-FIT VERT HEADER 4-16 CKTS DUAL ROW KINKED PINS		
	GENERAL TOLERANCES (UNLESS SPECIFIED)				PRODUCT CUSTOMER DRAWING		
ANGULAR TOL ± °				DOCUMENT NUMBER			
4 PLACES ±				SD-172298-1000			
3 PLACES ±				DOC TYPE			
2 PLACES ± 0.25				PSD			
1 PLACE ± 0.5				DOC PART			
0 PLACES ±				000			
DRAFT WHERE APPLICABLE MUST REMAIN WITHIN DIMENSIONS		THIRD ANGLE PROJECTION		SERIES		REVISION	
		D-DRAWING		172298		D1	
		SERIES		MATERIAL NUMBER		CUSTOMER	
		D-SIZE		GENERAL MARKET		SHEET NUMBER	
						1 OF 3	



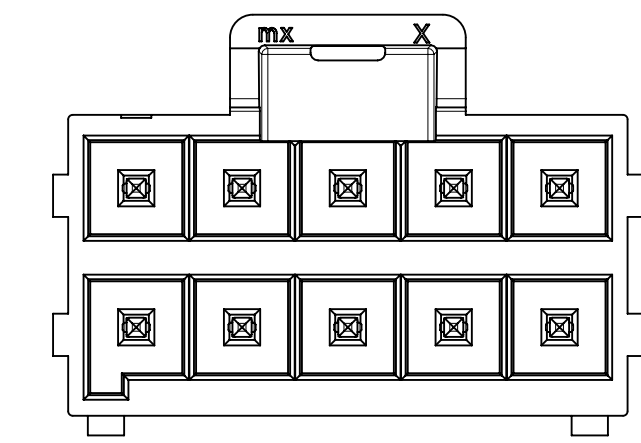
4 CKT



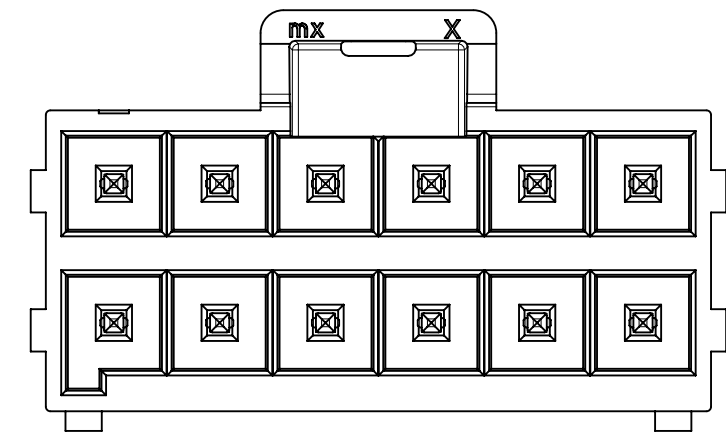
6 CKT



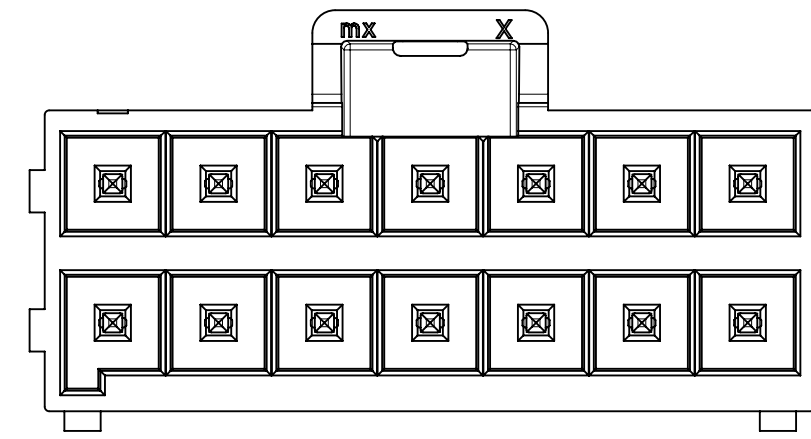
8 CKT



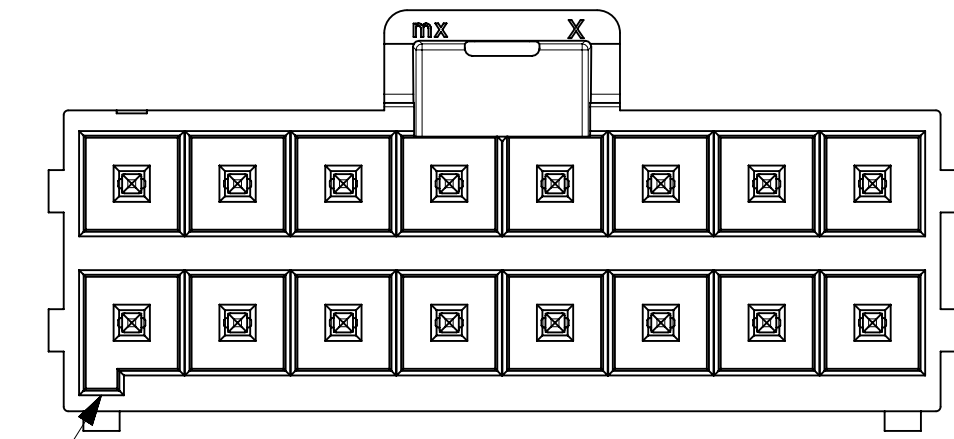
10 CKT



12 CKT

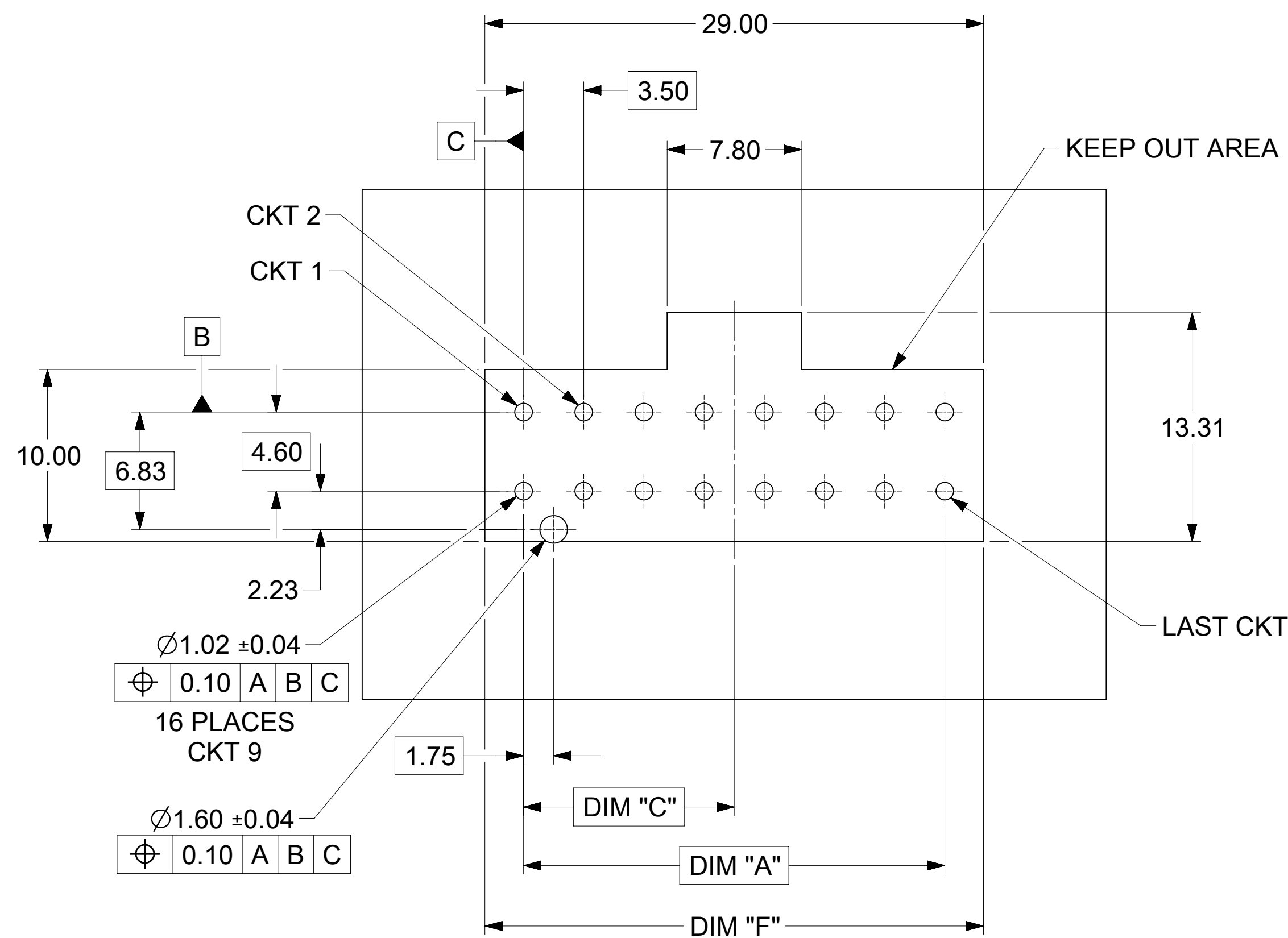


14 CKT



KEY A
(BLACK)

16 CKT



NOTE: DATUM -A- IS ON PCB COMPONENT SIDE

COLOR OPTION	KEY A BLACK	KEY B NATURAL
KAPTON OPTION	WITHOUT KAPTON	KAPTON WITH KAPTON

FUNCTIONAL SYMBOLS FA = 0 FC = 0 FD = 0	THIS DRAWING CONTAINS INFORMATION THAT IS PROPRIETARY TO MOLEX ELECTRONIC TECHNOLOGIES, LLC AND SHOULD NOT BE USED WITHOUT WRITTEN PERMISSION		CURRENT REV DESC:	
	DIMENSION UNITS mm	SCALE 4:1		
DIVISIONAL SYMBOLS	GENERAL TOLERANCES (UNLESS SPECIFIED)		EC NO: 693485	
	ANGULAR TOL ± °		DRWN: GLLI 2022/01/21	
	4 PLACES ±		CHK'D: XQZHANG 2022/01/26	
	3 PLACES ±		APPR: XQZHANG 2022/01/26	
	2 PLACES ± 0.25		INITIAL REVISION:	
1 PLACE ± 0.5		DRWN: DROSCA 2014/03/04		
0 PLACES ±		APPR: JCOMERCI 2014/04/24		
DRAFT WHERE APPLICABLE MUST REMAIN WITHIN DIMENSIONS		THIRD ANGLE PROJECTION	DRAWING D-SIZE	SERIES 172298
DOCUMENT STATUS	P1	RELEASE DATE	2022/01/26 13:35:15	

molex

ULTRA-FIT VERT HEADER
4-16 CKTS DUAL ROW KINKED PINS

PRODUCT CUSTOMER DRAWING

DOCUMENT NUMBER	DOC TYPE	DOC PART	REVISION
SD-172298-1000	PSD	000	D1

MATERIAL NUMBER	CUSTOMER	SHEET NUMBER
	GENERAL MARKET	2 OF 3

