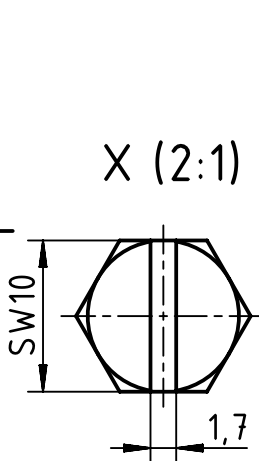


A

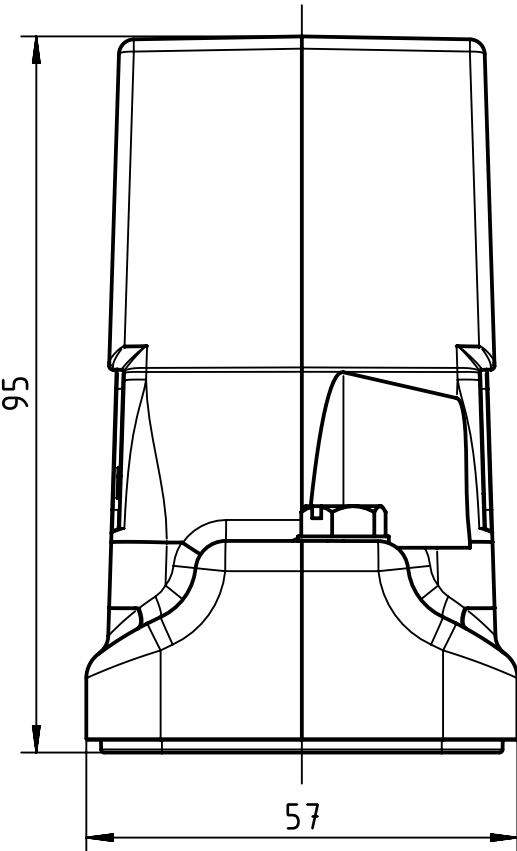
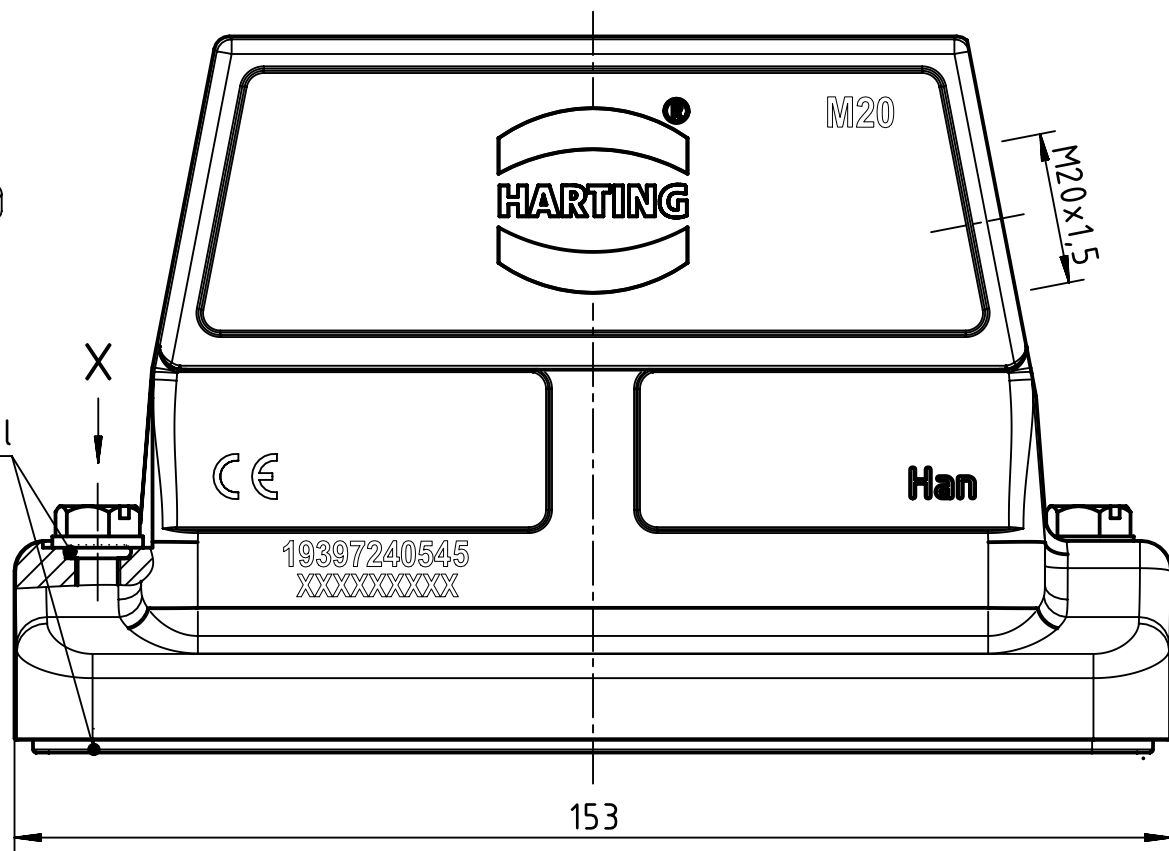
B

C

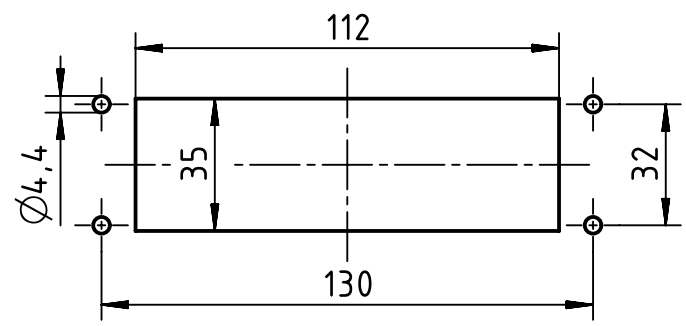
D



Seal



Panel cut out (1:2)



	All Dimensions in mm Original Size DIN A4		Scale 1:1	Free size tol.		Ref.	
	All rights reserved		Created by ZHUANGJ	Inspected by LUOK	Standardisation 302077	Date 2021-02-23	State Final Release
Department EL PD		Title Han 24HP Direct/M-HSE-M20				Doc-Key / ECM-Nr. 100664908/UGD/002/F 500000187461	
HARTING (Zhuhai) Manufacturing Co., Ltd. 519085 Zhuhai, China		Type TB	Number 19 39 724 0545			Rev. F	Page 1/1