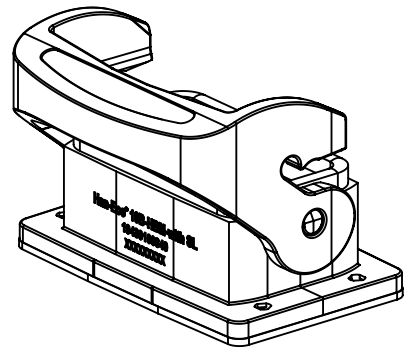
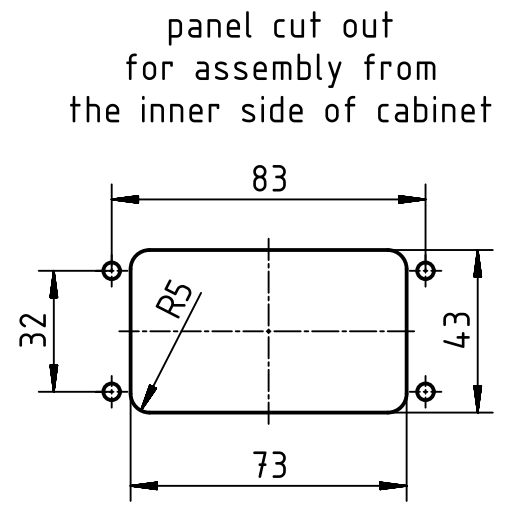
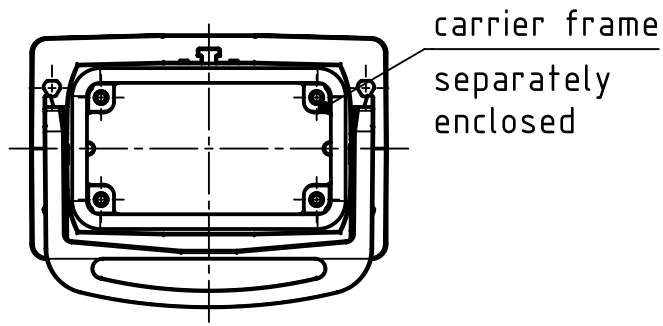
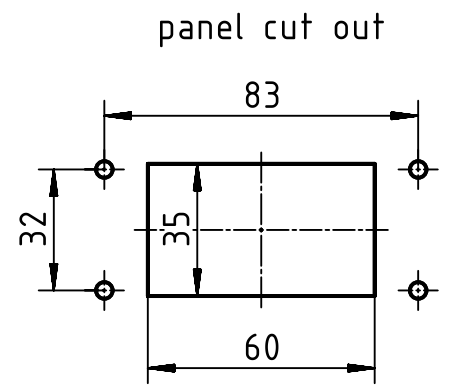
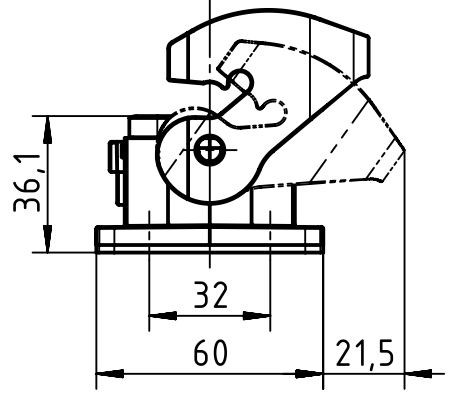
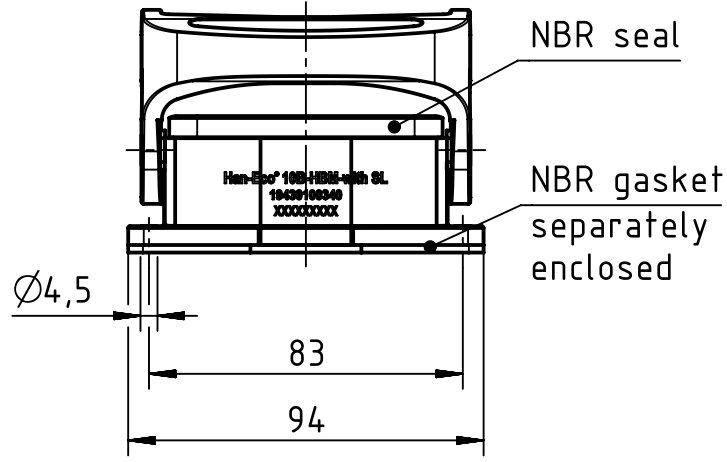


1 2 3 4 5 6

A  
B  
C  
D



	All Dimensions in mm Original Size DIN A4		Scale 1:2	Free size tol.		Ref.	
	All rights reserved Department EL PD - DE		Created by ROEBEN	Inspected by SCHENK	Standardisation RUETERA	Date 2018-04-09	State Final Release
HARTING Electric GmbH & Co. KG D-32339 Espelkamp			Title <b>Han-Eco 10B-HBM-with SL</b>			Doc-Key / ECM-Nr. 100739512/UGD/001/B 500000133000	
			Type TB	Number 19 43 010 0340		Rev. B	Page 1/1