

4

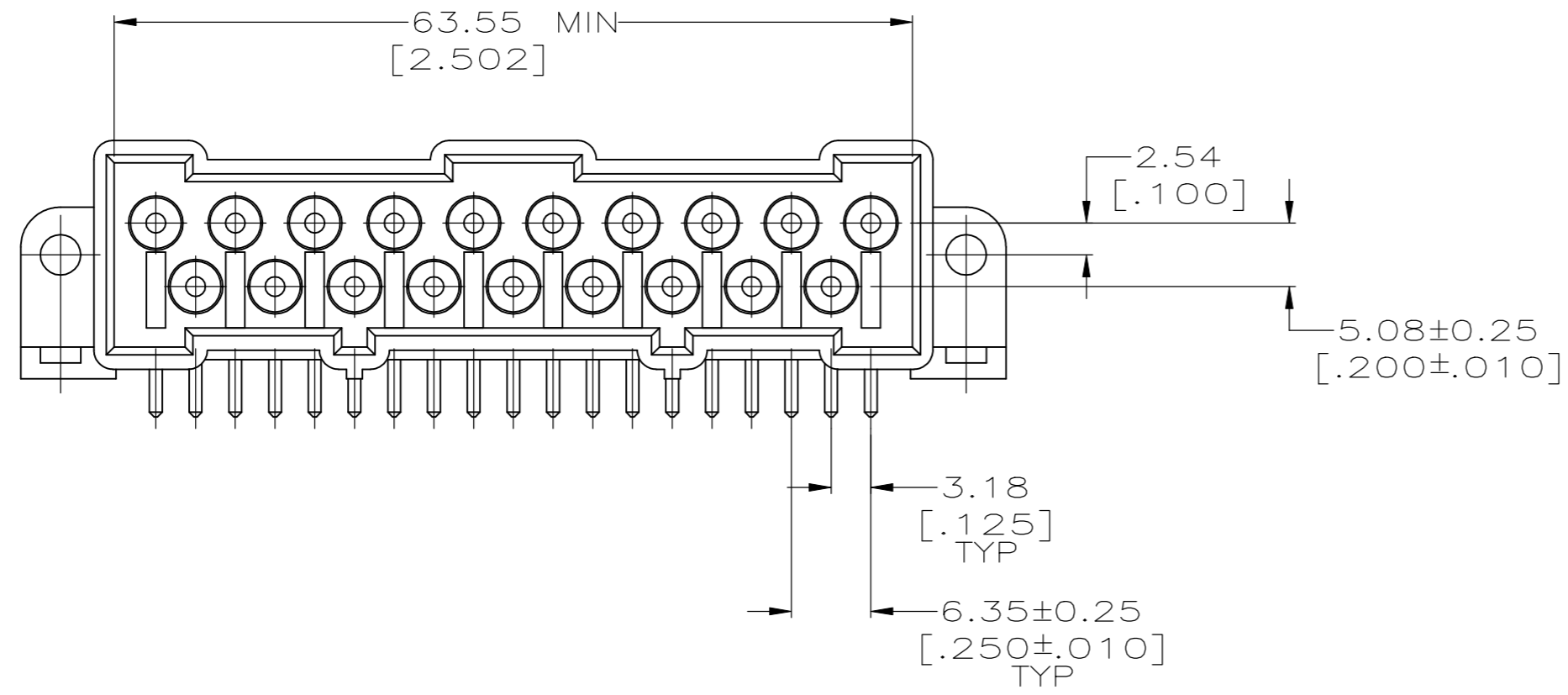
3

2

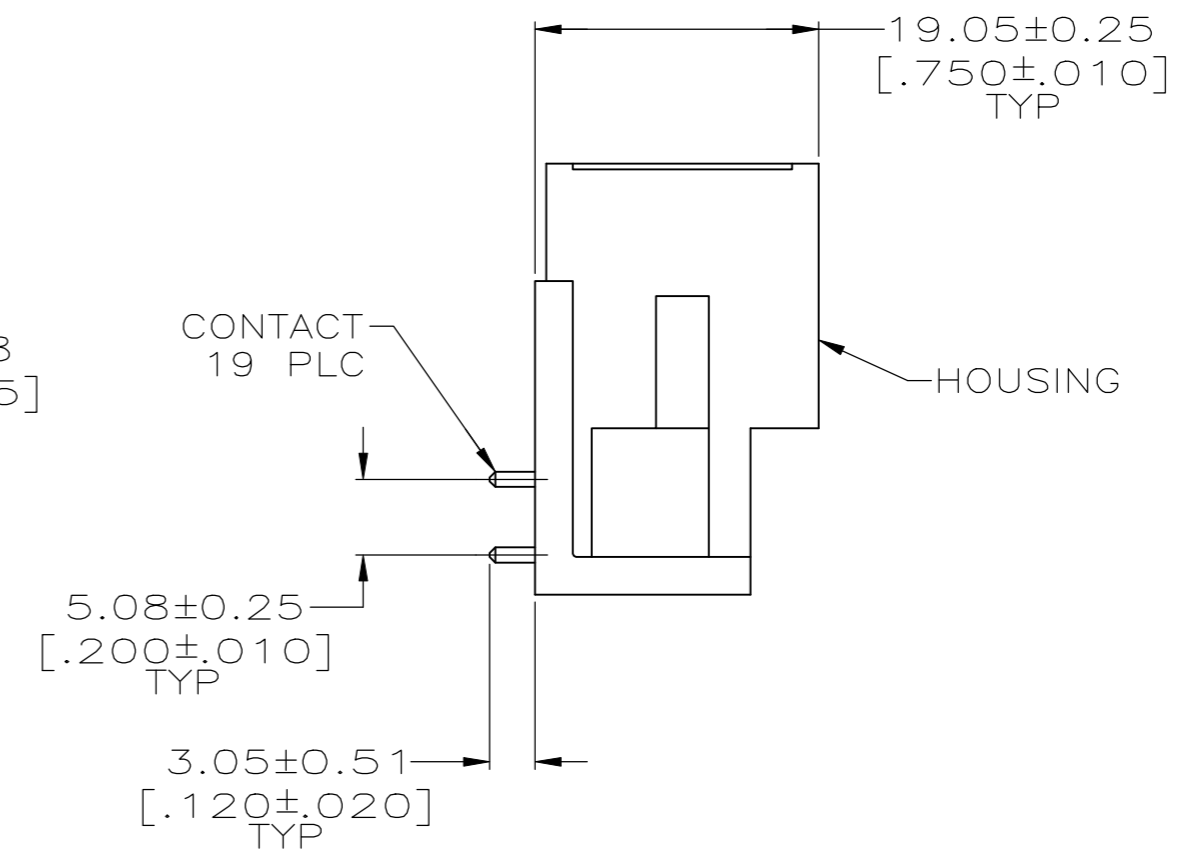
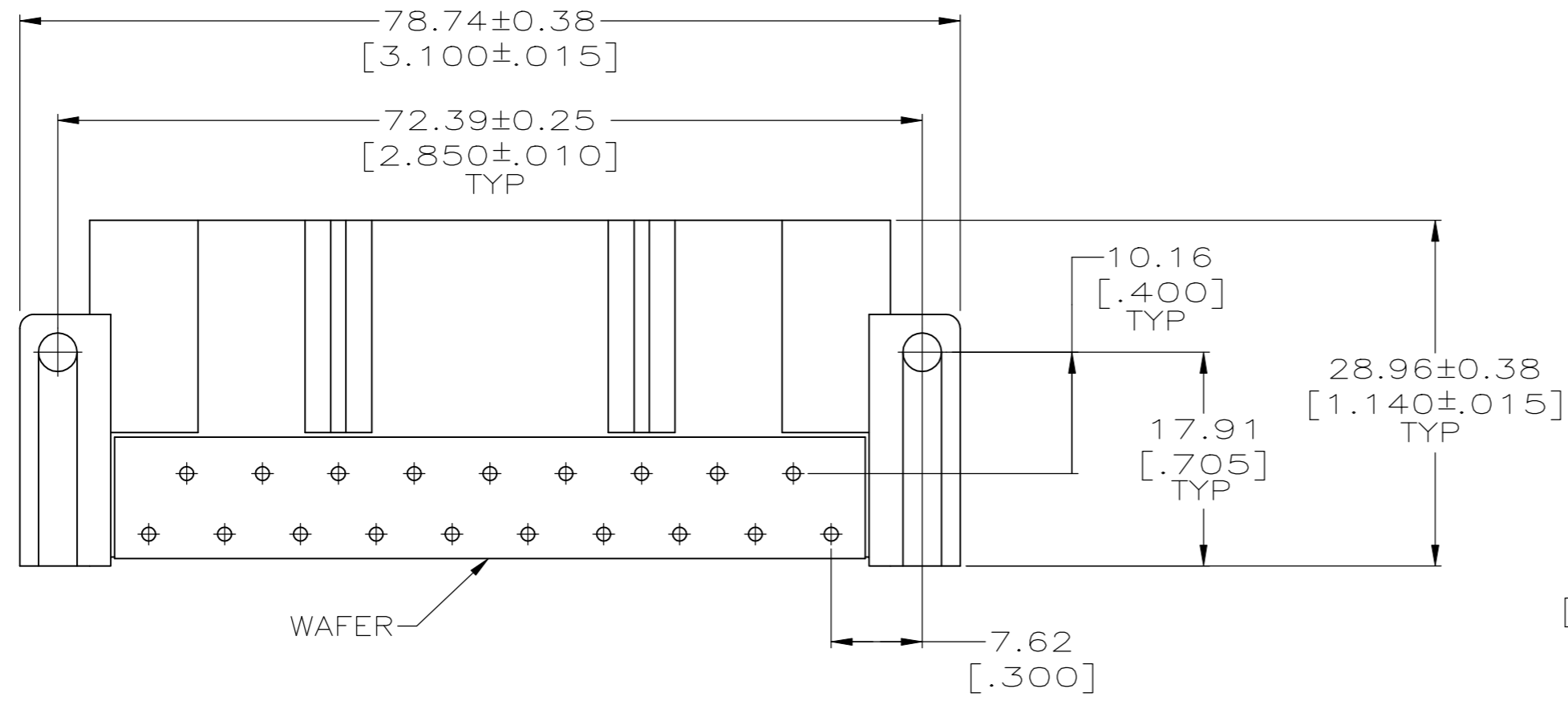
1

THIS DRAWING IS UNPUBLISHED. RELEASED FOR PUBLICATION
 © COPYRIGHT - TE Connectivity Ltd. ALL RIGHTS RESERVED.

REVISIONS					
P	LTR	DESCRIPTION	DATE	DWN	APVD
	K	REVISED PER 0G3B-0354-04	4/23/04	SS	GS
	L	REVISED PER ECO-18-000443	30JAN2018	RS	MZ



- ① NYLON, UL 94V-0 RATED, NATURAL (RED).
- ② PLASTIC LAMINATED SHEET.
- ③ BRASS.
- ④ 3.81μm [.000150] TIN-LEAD OVER COPPER.
- ⑤ .000150 LEAD FREE TIN OVER CU.



OBSOLETE	⑤	208099-3
	④	208099-1
	PLATING	PART NO

THIS DRAWING IS A CONTROLLED DOCUMENT.		DWN	L.SIPE	05/13/92	TE Connectivity Ltd.
DIMENSIONS: INCHES		CHK	W.LENKER	5-14-92	
TOLERANCES UNLESS OTHERWISE SPECIFIED:		APVD	A.TRAVIS	5-14-92	
0 PLC ± - 1 PLC ± - 2 PLC ± 0.13 [.005] 3 PLC ± - 4 PLC ± - ANGLES ± -		NAME	HEADER ASSEMBLY, PIN, 19 POSN, METRIMATE		
MATERIAL	HOUSING: 1	FINISH	CONTACTS: 4	WEIGHT	RESTRICTED TO
CUSTOMER DRAWING				SCALE	2:1
SIZE			A2	CAGE CODE	00779
DRAWING NO			C-208099		REV
SHEET			1 of 1		L

208099