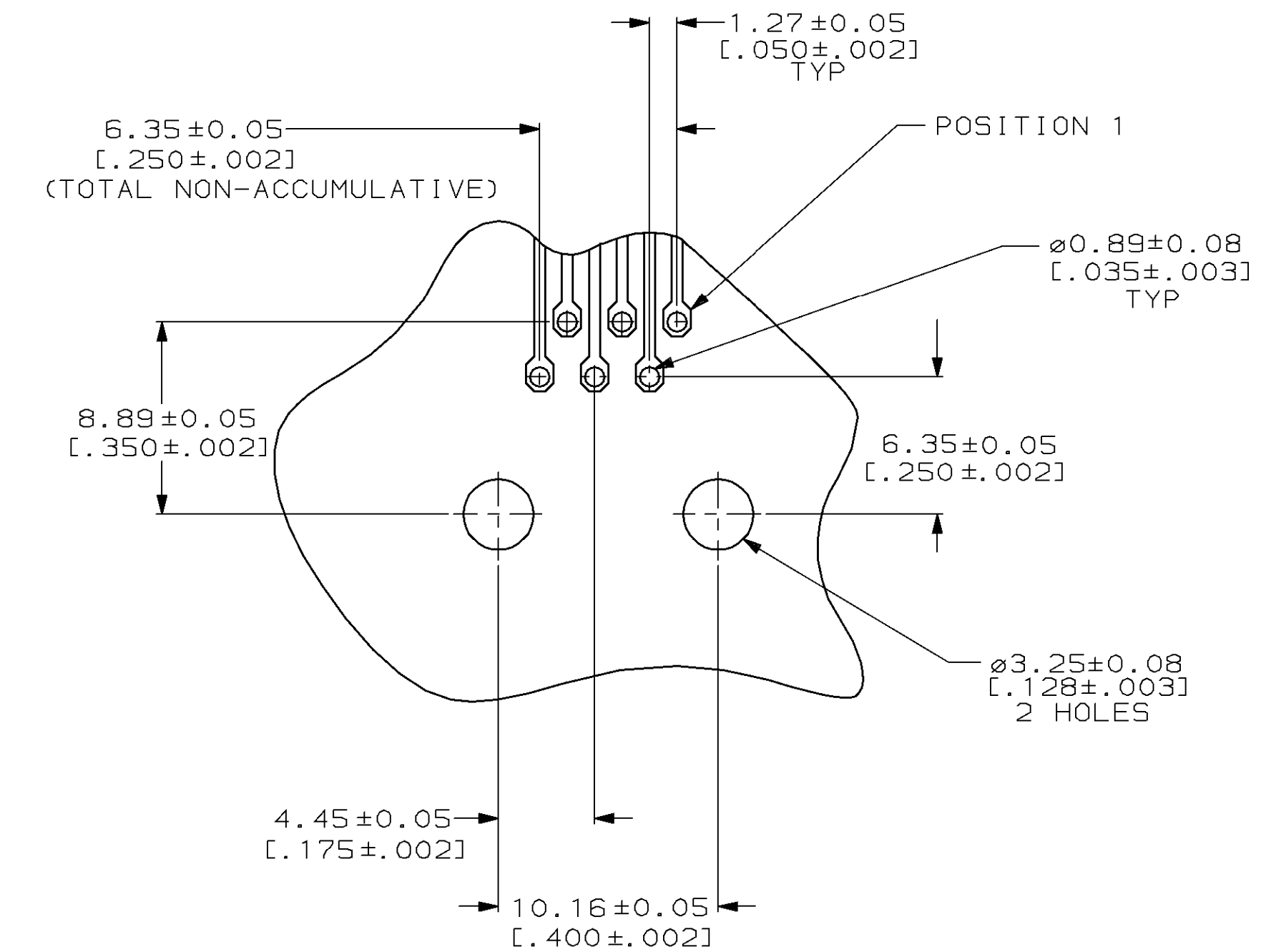
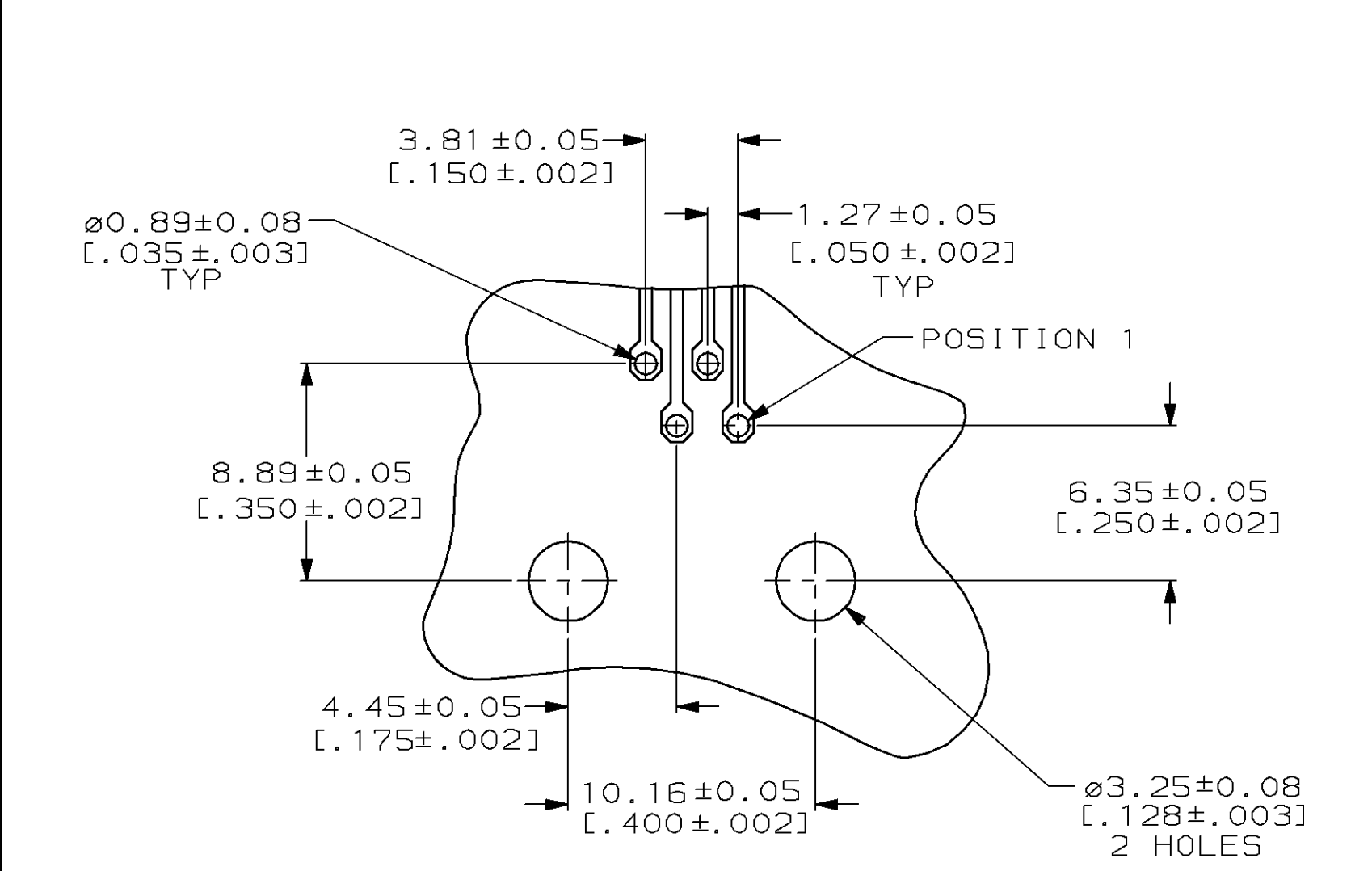
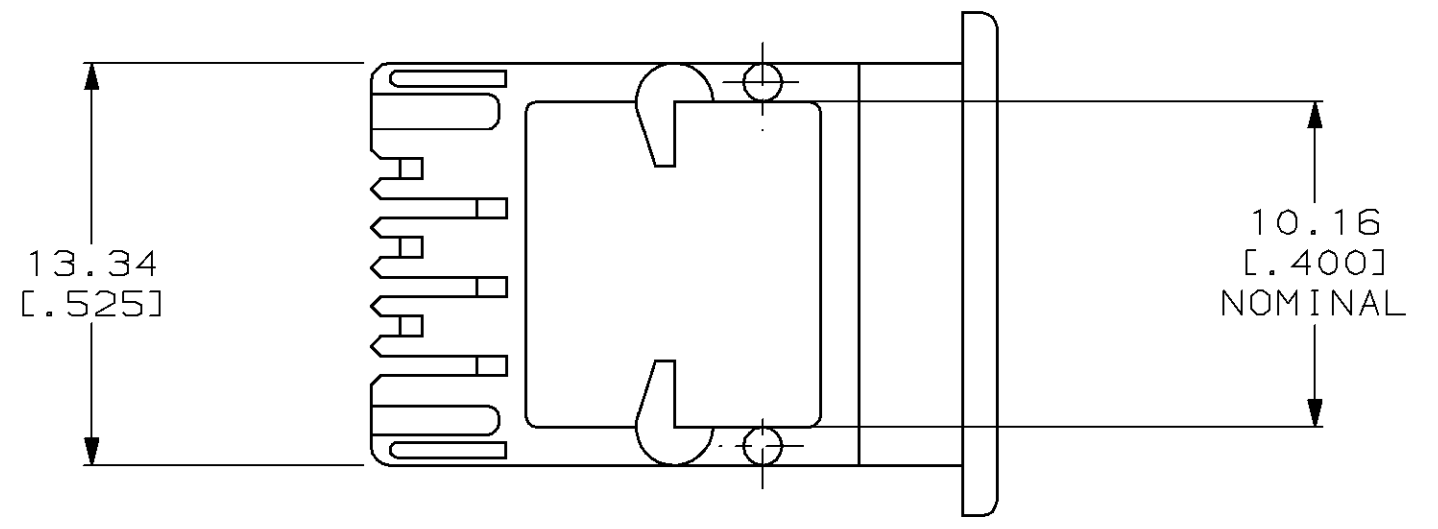
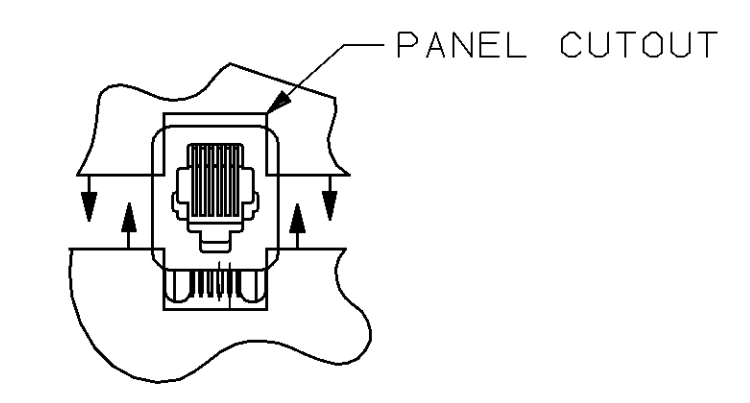
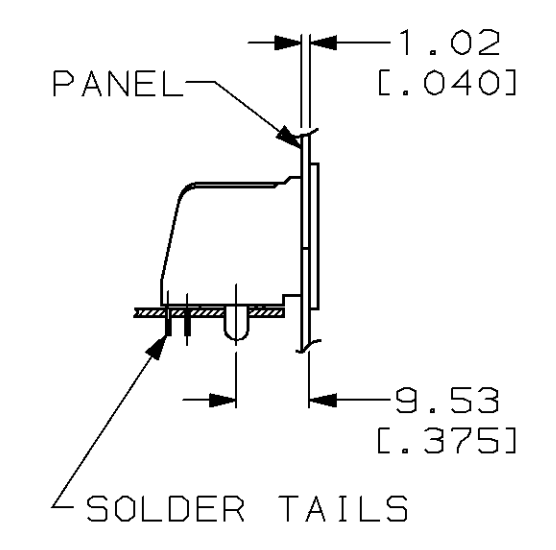
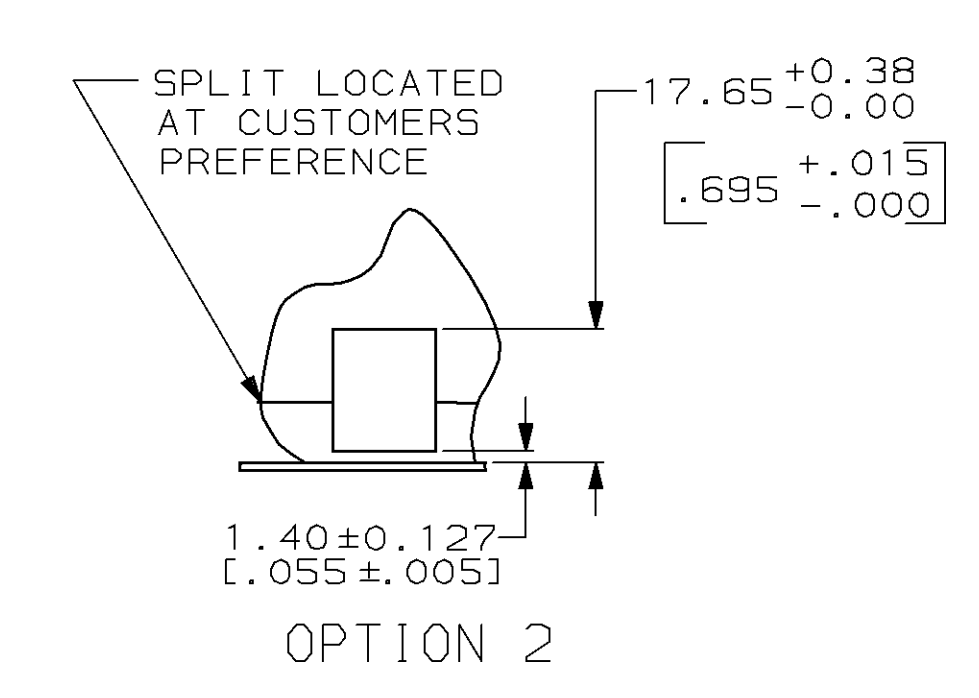
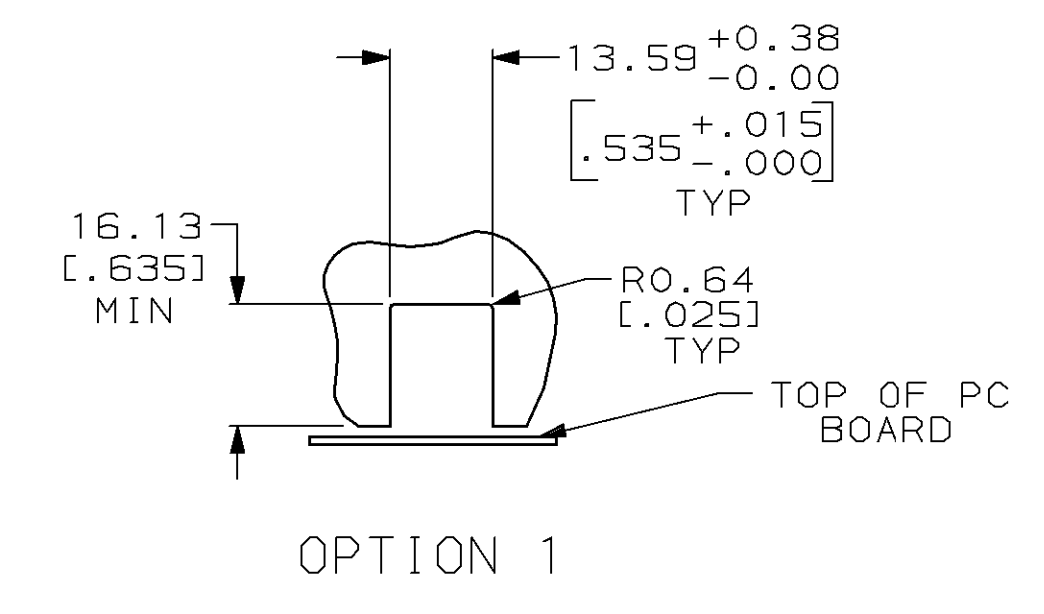
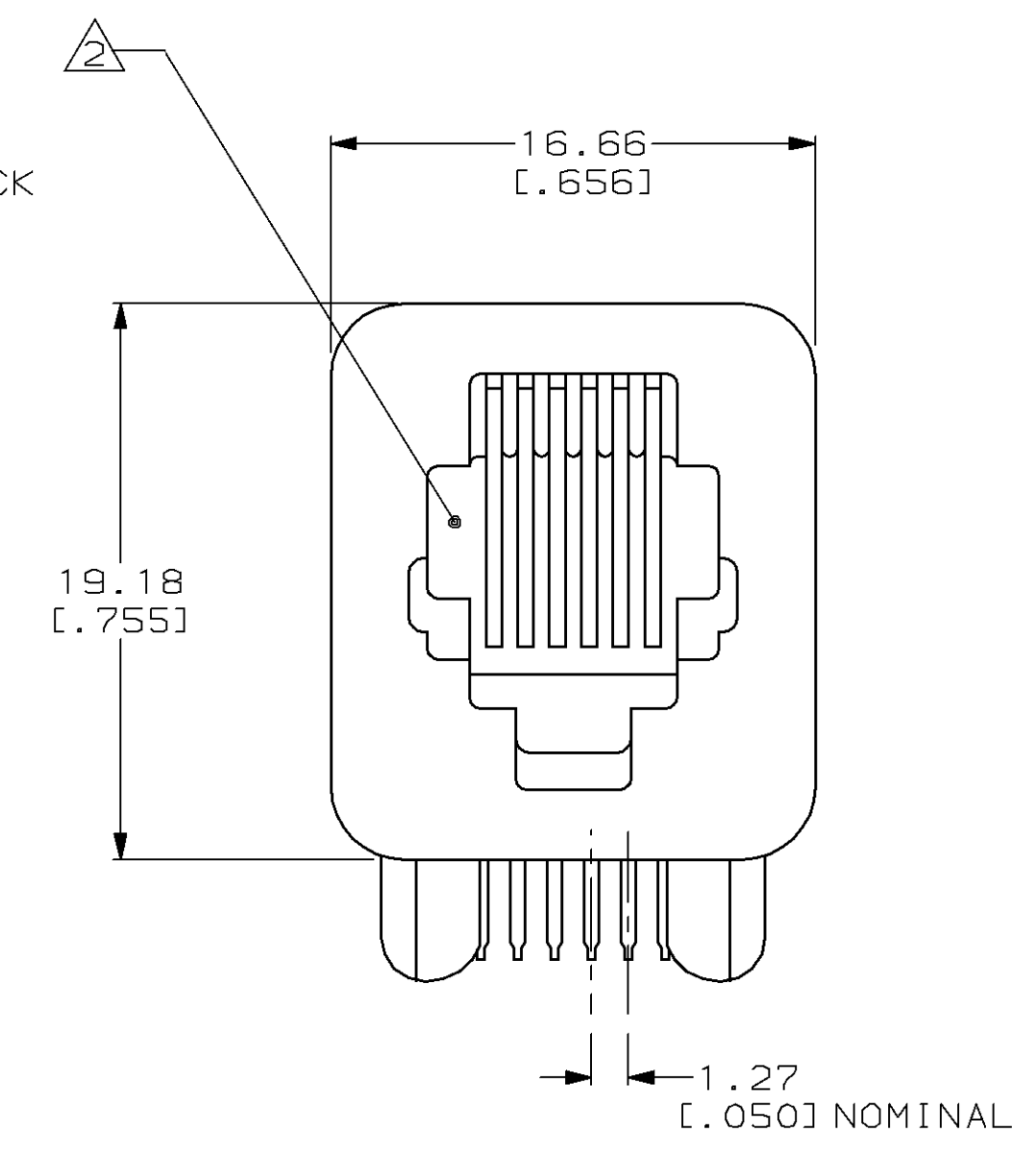
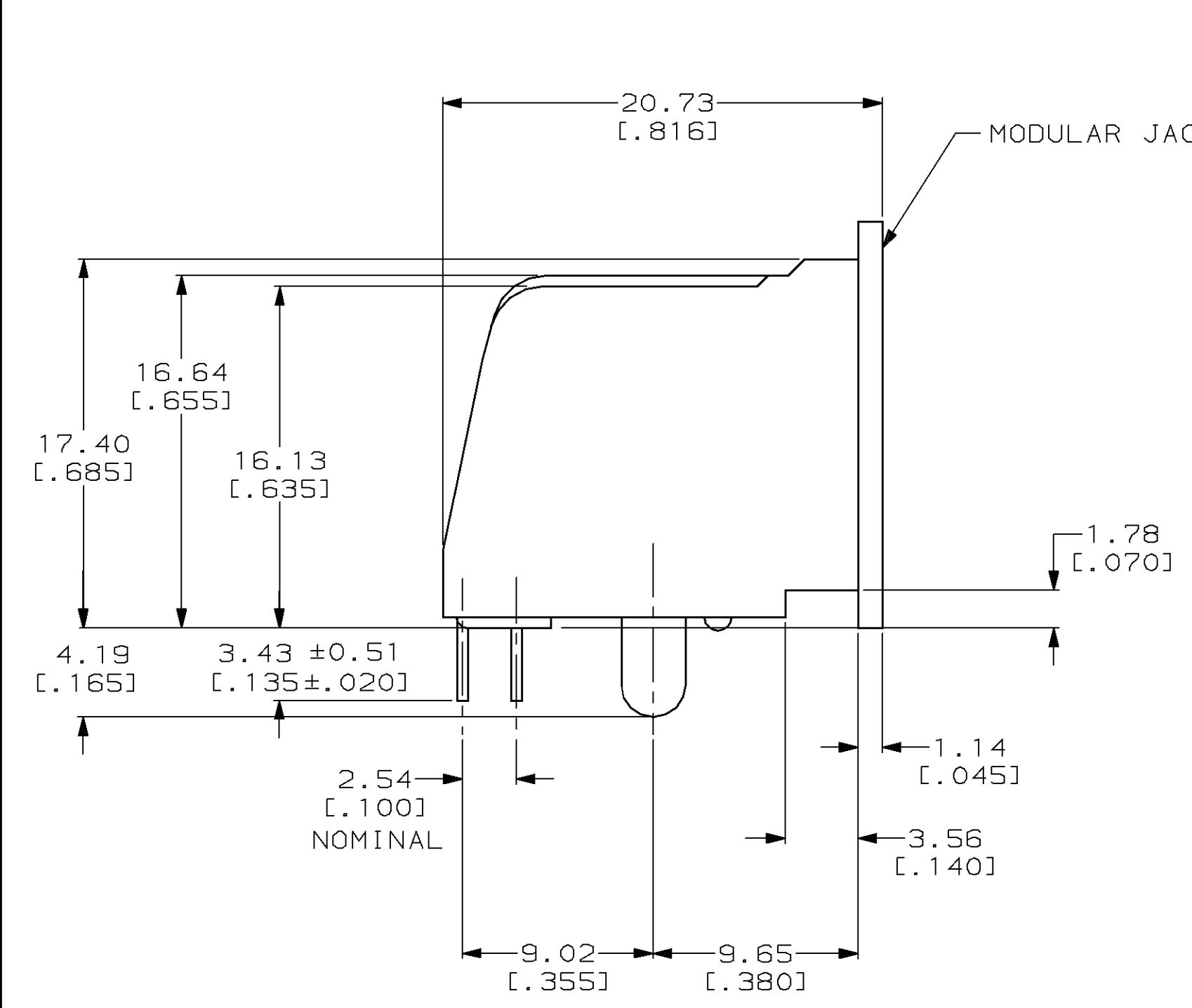


LOC		DIST		P		F		ZONE		LTR		REVISIONS		DATE	APPD	
AA	22												E	REVISED; EC 0210-0052-94	3-9-94	KT



- ⚠ MATERIAL: HOUSING - PBT POLYESTER, BLACK
 TERMINAL - 0.351 [.0138] THICK PHOS-BRONZE PLATED WITH 0.0013 [.00005] THICK HARD GOLD IN LOCALIZED GOLD PLATE AREA AND 0.0020 [.00008] THICK TIN-LEAD IN SOLDER AREA OVER 0.0013 [.00005] THICK NICKEL UNDERPLATE.
- ⚠ CAVITY CONFORMS TO FCC RULES AND REGULATIONS PART 68 AND REA BULLETIN 345-81, PE-76 SPECIFICATION FOR MODULAR TELEPHONE HARDWARE.
- 3. ALL DIMENSIONS ARE MAXIMUM UNLESS OTHERWISE SPECIFIED.

SUGGESTED PRINTED CIRCUIT BOARD LAYOUT FOR 4 CONTACTS
 (VIEW SHOWN IS CIRCUIT SIDE OF BOARD)

SUGGESTED PRINTED CIRCUIT BOARD LAYOUT FOR 6 CONTACTS
 (VIEW SHOWN IS CIRCUIT SIDE OF BOARD)

DO NOT SCALE PRINT. UNLESS SPECIFIED DIMENSIONS IN mm [INCHES]		DR 3-9-94 KTILLMAN/UTA		AMP Incorporated Harrisburg, PA 17105-3608	
TOLERANCES ON:		CHK 3-24-94 N. JONES			
2 PLC DEC ± -		APPD 3-28-94 J. TONEY		NAME	
3 PLC DEC ± -		APPD 3-29-94 H. MCGRATH		PRINTED CIRCUIT BOARD MODULAR JACK ASSEMBLY SIDE ENTRY, 6 POSITION, FLANGED	
ANGLES ± -		PRODUCT SPEC		108-1163	
MATERIAL		FINISH		SIZE	
⚠		⚠		D 00779	
APPLICATION SPEC		CAGE CODE		DRAWING NO	
114-2048		4:1		C-520242	
WEIGHT		SCALE		SHEET	
-		4:1		1 OF 1	

THIS DRAWING IS A CONTROLLED DOCUMENT FOR AMP INCORPORATED. IT IS SUBJECT TO CHANGE AND THE CONTROLLING ENGINEERING ORGANIZATION SHOULD BE CONTACTED FOR THE LATEST REVISION.