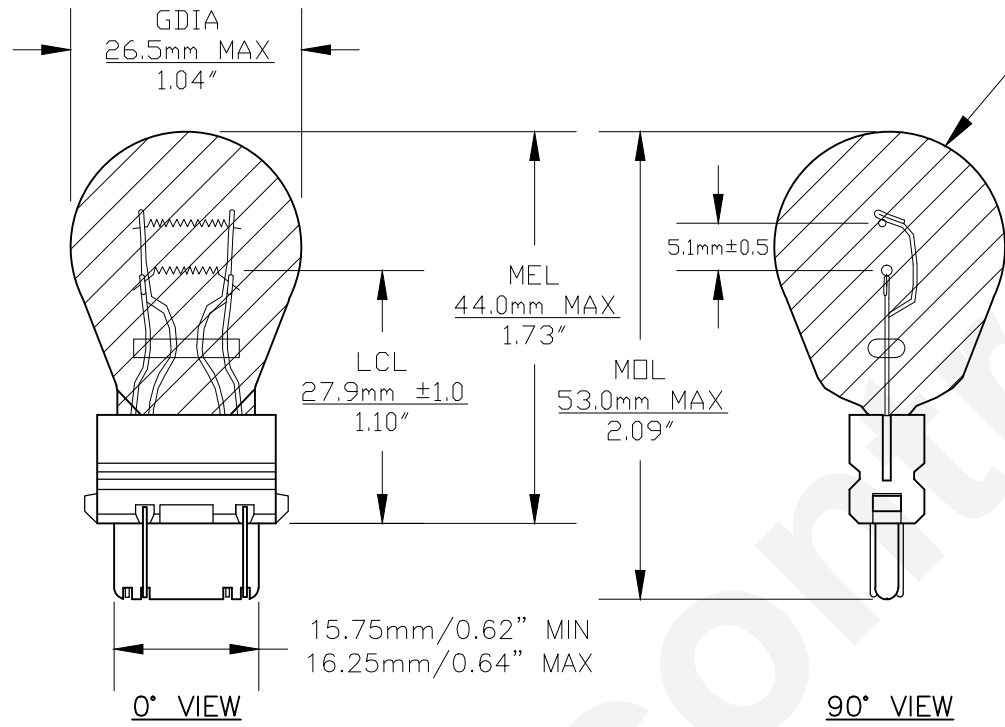




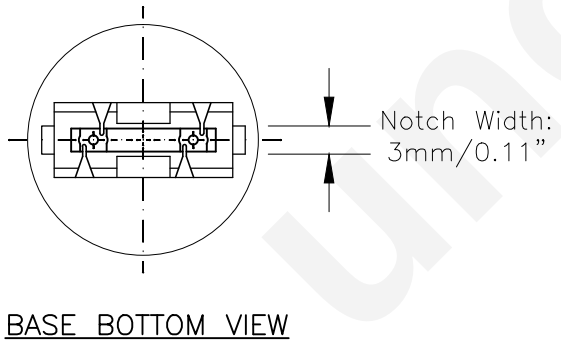
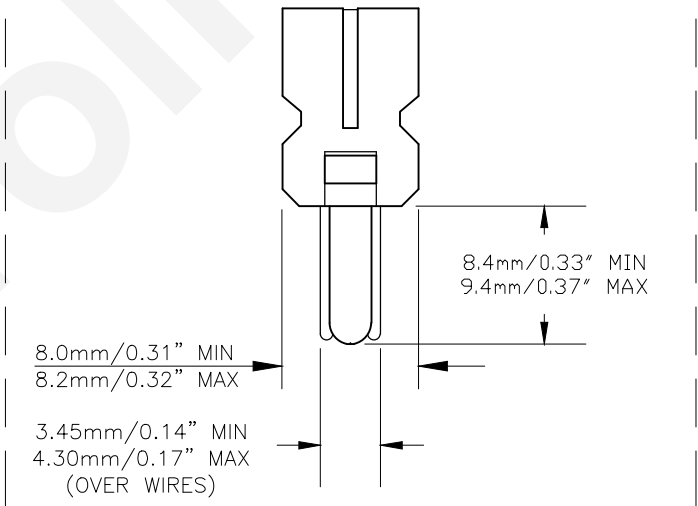
PART NO.	BASE TYPE	DESIGN VOLTS	DESIGN AMPS	MSCD	FILAMENT TYPE	AVERAGE LIFE HOURS
5702NAK	D.F. Plastic Wedge W2.5X16q	12.8V 14.0V	2.23±5% 0.59±8%	24±30% 2.2±30%	C-6 C-6	4000 10000

REVISIONS			
REV #	DESCRIPTION	DATE	APPROVED
1	ISSUED	10/21/2014	R.M.
2	ADDED FILAMENT DISTANCE DIMENSIONS	10/04/2018	R.M.



S-8 BULB SHAPE  
Natural Amber Glass

Plastic Base, Color: BLACK



Note: Made according to SAE specifications



UNLESS OTHERWISE SPECIFIED: DIMENSIONS ARE IN INCHES TOLERANCES		CEC INDUSTRIES LTD	
DECIMALS	ANGULAR	599 BOND STREET LINCOLNSHIRE, IL 60069	
.XX ± .05	± 0.5°		
.XXX ± .010			
FRACTIONAL	± 1/64		
DRAWN ROSE MEDINA	DATE 10/21/2014	TITLE LIGHT BULB NO. 5702NAK	
CHECKED	SIZE A	FSCM NO.	DWG NO. 5702NAK
DESIGN	SCALE	PLOT SCALE	REV 2
MATERIAL	FILE 5702NAK.pdf	SHEET 1 OF 1 DRAWING NOT TO SCALE	