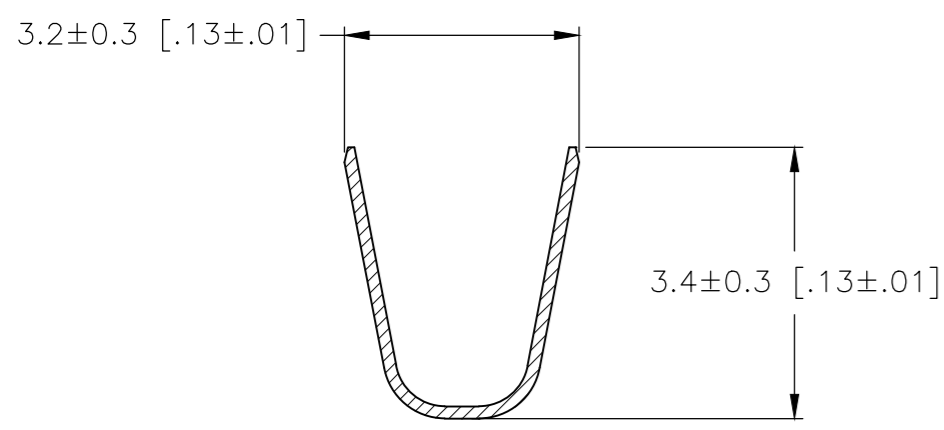
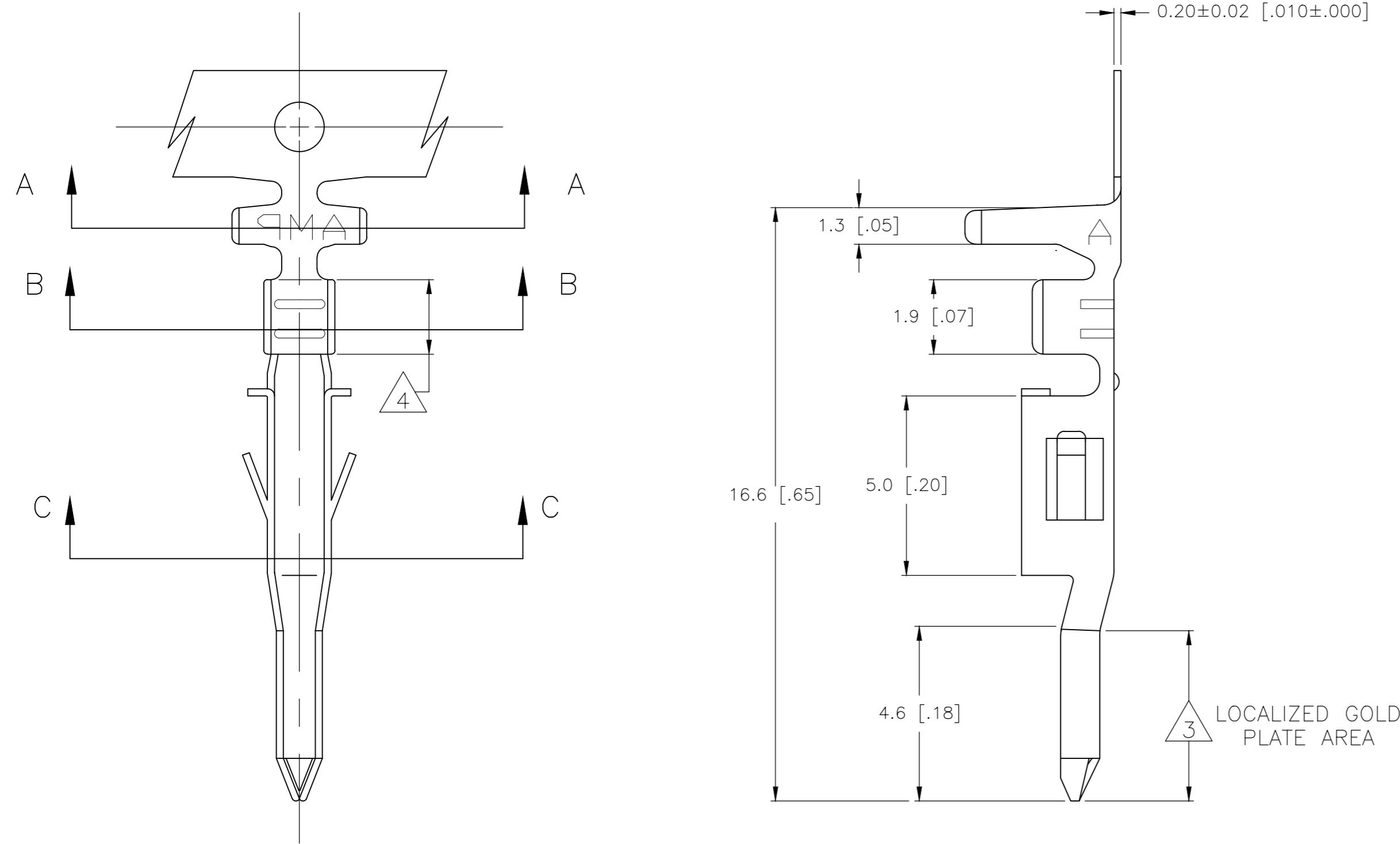


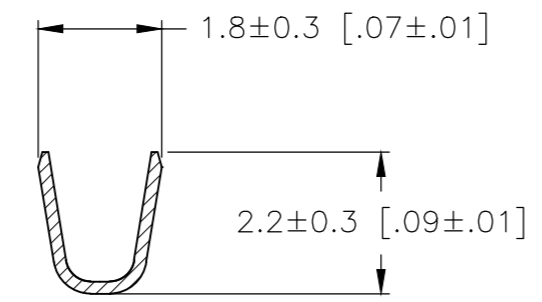
THIS DRAWING IS UNPUBLISHED. RELEASED FOR PUBLICATION  
 © COPYRIGHT - By - ALL RIGHTS RESERVED.

REVISIONS				
P	LTR	DESCRIPTION	DATE	APVD
F4		REVISED PER ECO-18-001979	07FEB2018	J.Z D.Z

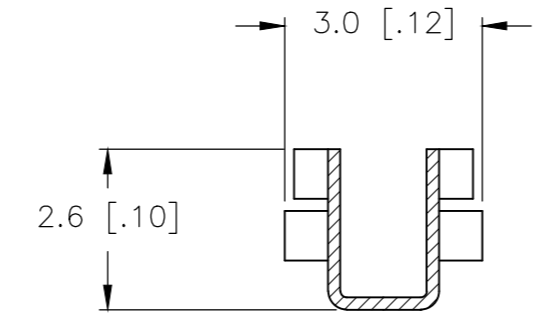
- 1 WIRE RANGE: 0.13–0.32mm<sup>2</sup> (26–22 AWG).
- 2 INSULATION RANGE: 1.20–1.75 DIA.
- 3 FINISH: 0.76μm MINIMUM GOLD IN LOCALIZED GOLD PLATE AREA OVER 1.27μm MINIMUM NICKEL
- 4 FINISH: 2.54μm MINIMUM PRE-TIN IN LOCALIZED TIN PLATE AREA.
- 5 FINISH: 2.54μm MINIMUM PRE-TIN ALL OVER.



SECTION A-A



SECTION B-B



SECTION C-C

METRIC

GOLD 3 4	PHOS. BRZ.	794957-4
PRE-TIN 5	PHOS. BRZ.	794957-3
GOLD 3 4	BRASS	794957-2
PRE-TIN 5	BRASS	794957-1
FINISH:	MATERIAL:	PART NO.

THIS DRAWING IS A CONTROLLED DOCUMENT.		DWN S. HAMM 06-SEP-2001	TE Connectivity Ltd.	
DIMENSIONS: mm [INCHES]		CHK D. COLEY 07-SEP-2001		
TOLERANCES UNLESS OTHERWISE SPECIFIED:		APVD D. COLEY 07-SEP-2001	NAME	
0 PLC ±	1 PLC ± 0.25 [.010]	PRODUCT SPEC	TERMINAL PIN VAL-U-LOK(TM)	
2 PLC ± 0.25 [.010]	3 PLC ± 0.15 [.006]	APPLICATION SPEC	SIZE A2	CAGE CODE 00779
4 PLC ± 0.050 [.0020]	ANGLES ±	WEIGHT 0.000000	DRAWING NO C=794957	RESTRICTED TO -
MATERIAL	FINISH	CUSTOMER DRAWING	SCALE 10:1	SHEET 1 of 1
			REV F4	