



Shaft D4*512mm

SKU: 85030 Weight: 54.20 Gram

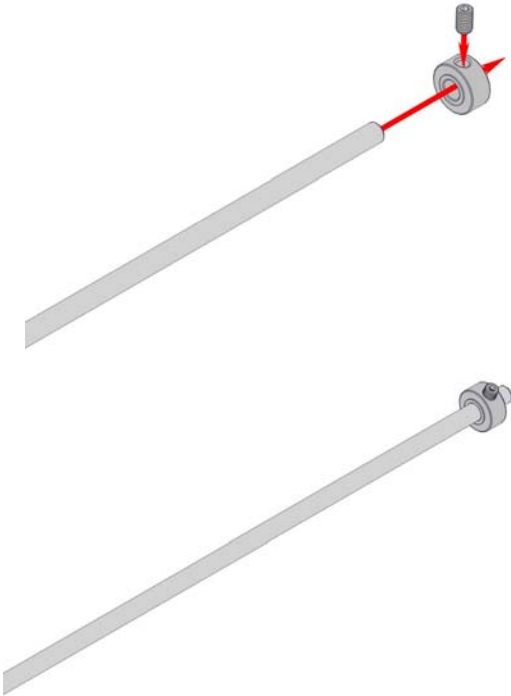
What Is Shaft D4*512mm?

Shaft D4*512mm is made of steel, and is generally used with gear, belt pulley, coupling or some bearings. It is very hard and has a smooth rim.

Features

- Material: chrome-plated steel 45.
- Can through 4mm hole, and is compatible with single hole beam or threaded push rod.
- Length: 512mm.

DEMO



Specifications

SKU	85030
Product Name	Shaft D4*512mm
Length	512mm
Cross-section Area	φ 4X512 mm
Gross Weight	54.2g (1.91oz)
Package Content (Quantity x Part Name)	1 x Shaft D4*512mm

Size Charts

