

SUMMARY

Wires

Low voltage 12



Image is for illustrative purpose only

Series	2P
Termination type	Female print PCB
IP rating	50
AWG wire size	30.00 - 22.00
Cable Ø	0.00 - 0.00 mm
Status	active
Matching parts	CAB.M12.GLA.C72GZ

Download

- [Request a quote](#)
- [PCB Eagle Pattern](#)
- [PCB Altium Pattern](#)
- [PCB KiCad Pattern](#)
- [Catalog](#)

TECHNICAL DETAILS

Mechanics

Shell Style/Model	CK*: Fixed receptacle with two nuts (back panel mounting)
Keying	3 keys (alpha=0, gamma=60; Plug: male contacts; Receptacle: female contacts)
Housing Material	PSU (Polysulfone), gray
Weight	6.25 g

Performance

Configuration	2P.M12 : 12 Low V.
Insulator	L: PEEK for solder contacts
Rated Current	7 Amps

Specifications

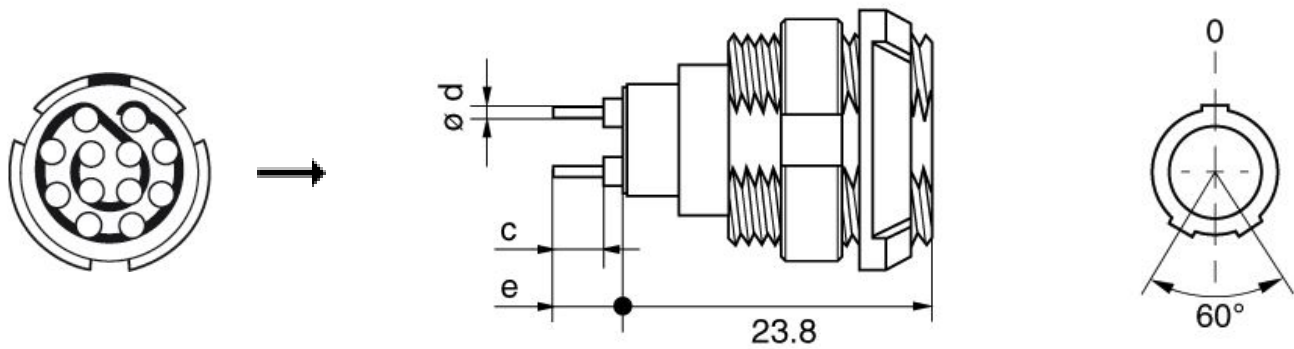
Test voltage (kV rms) Contact-contact: 1.25
Air clearance min.: 0.85 mm
Creepage distance min.: 0.85 mm

Others

Endurance (Shell): >1000 mating cycles
F ret (min): 150 N
F ret (max): 250 N

LEMO products and services are provided "as is". LEMO makes no warranties or representations with regard to LEMO product & services or use of them, express, implied or statutory, including for accuracy, completeness, or security. The user is fully responsible for his products and applications using LEMO components.

DRAWINGS



Dimensions

	N	c	d	e
mm.	23.8	3.0-5.7	0.5-0.7	3.0-6.0
in.	0,94	0,12	0,02	0,12

RECOMMENDED BY LEMO

Tools

Cables

LEMO products and services are provided "as is". LEMO makes no warranties or representations with regard to LEMO product & services or use of them, express, implied or statutory, including for accuracy, completeness, or security. The user is fully responsible for his products and applications using LEMO components.