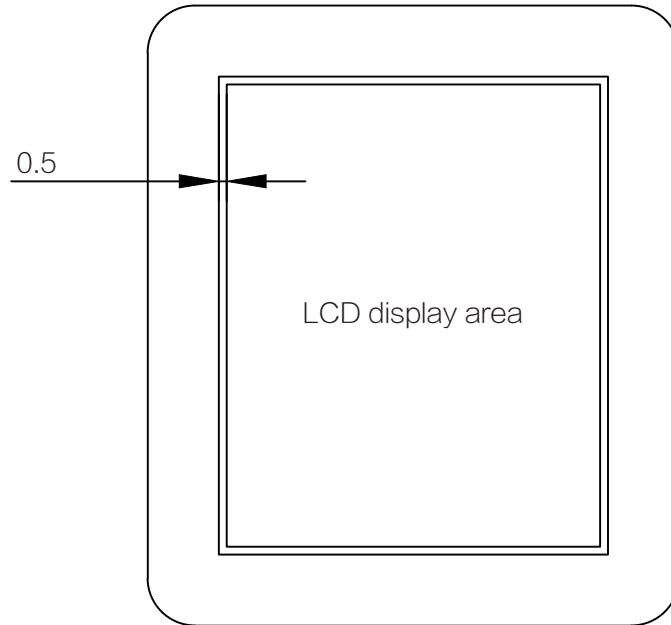


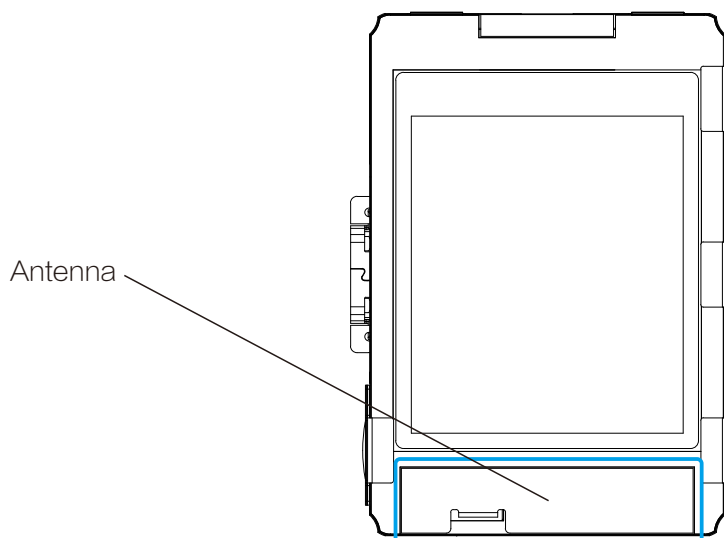
GENA

DESIGN GUIDELINE OF
ACCESSORIES

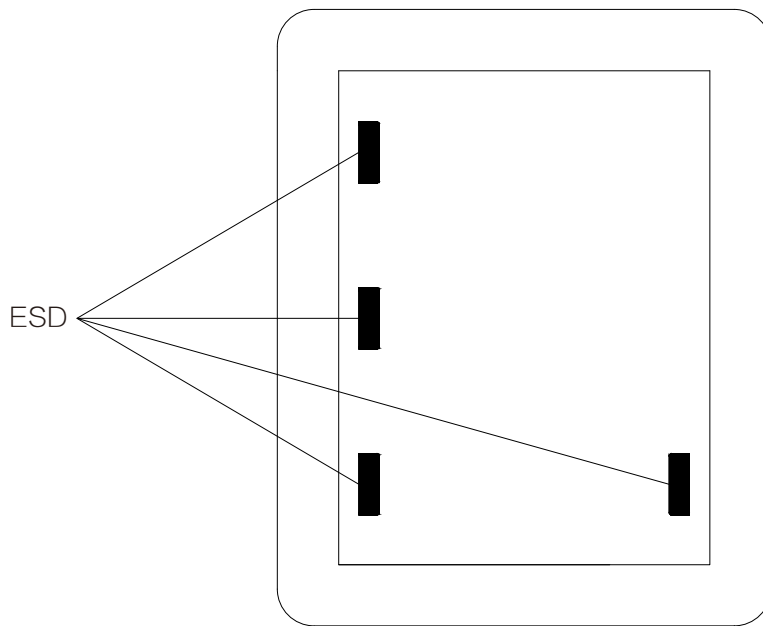
1、 To get the accurate thickness of the cover, you must make a hole in the middle of the front cover as large as GENA's screen. Then the front cover needs to cover the edges of the screen. So it is suggested that each side of the hole should be 1mm longer than each side of the screen.



2、 If you use metal to make cases, please avoid the antenna on the GENA.

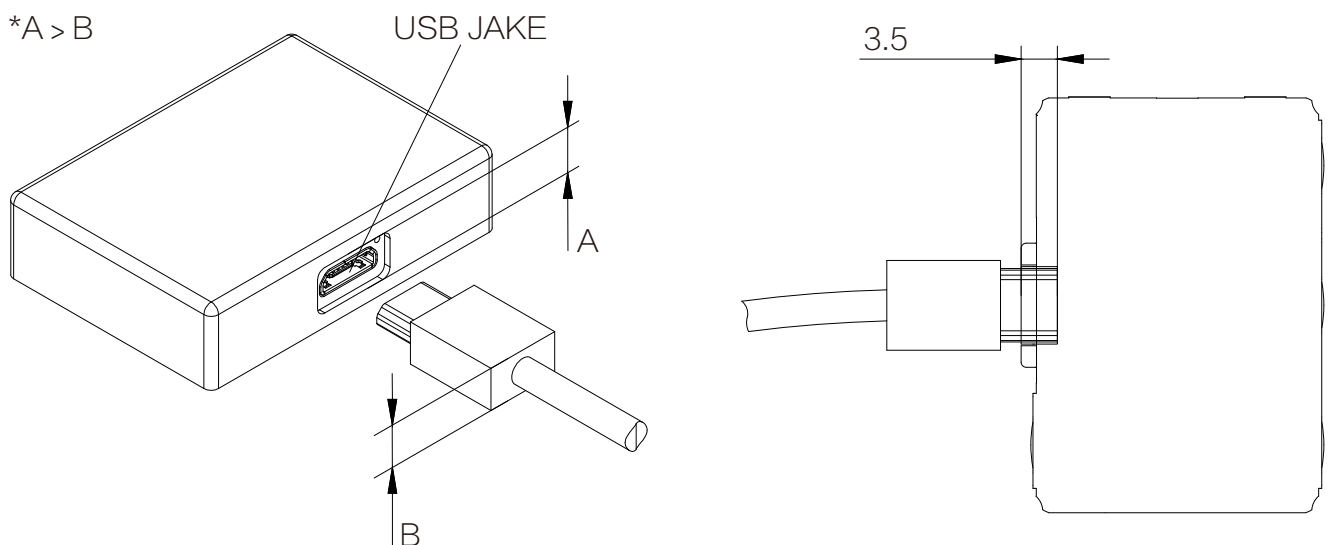


3、 If you make metal cases for GENA, please make four metal key contacting with FPC golden fingers in order to do ESD protection.

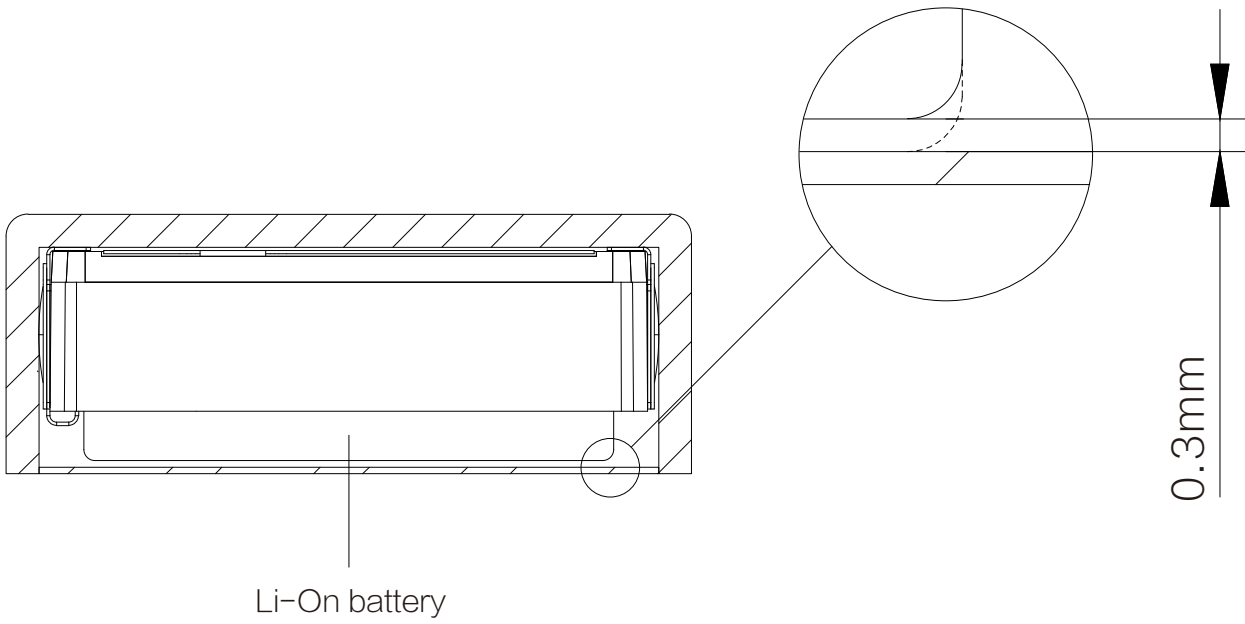


The back side of the shell

4、 When making holes for USB jack on GENA's left side, please make sure there is space for connectors so that USB cables can be fully plugged into GENA.



5、 The Li-On battery inside GENA may enlarge after months of usage so it is best the space inside the case is at least 0.3mm thicker than GENA itself.





HEADQUARTERS

Rm 1101, Tower B, Haisong Building,
Tairan Jiu Road, Futian District, Shenzhen
+ (86) 755-82548400

BRANCH

935 Sierra Vista Avenue Suite F,
Mountain View, CA 94043
www.Mixtile.com
+1 (650) 938-4240