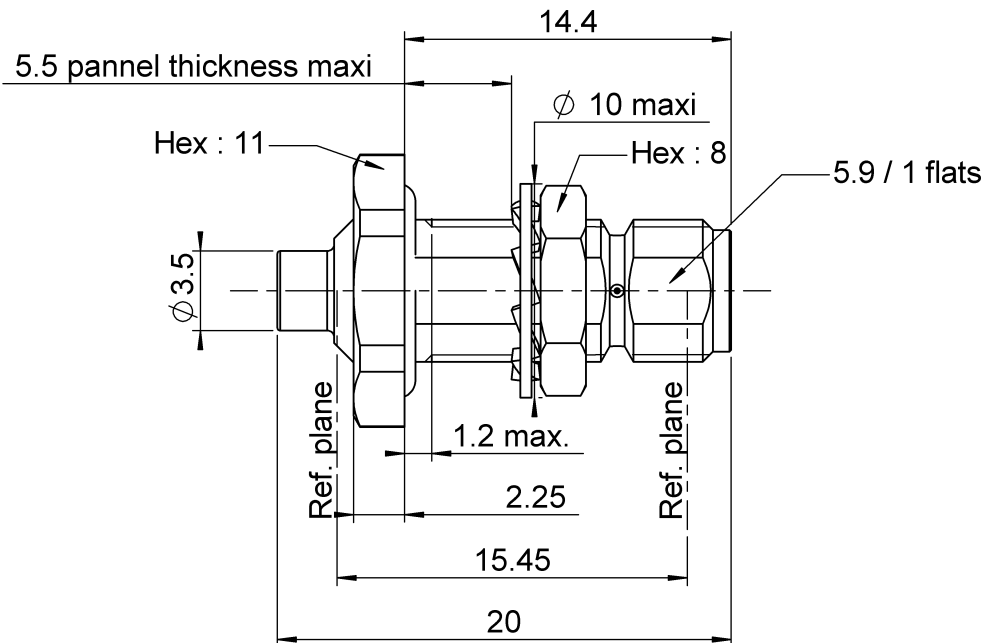
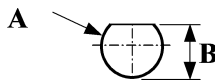


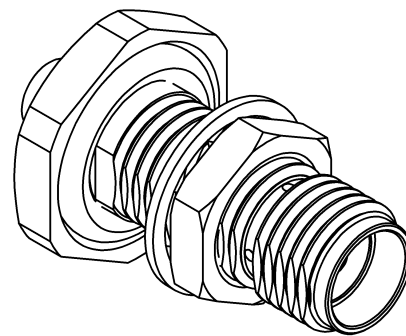
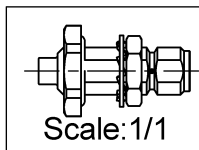
PAGE 1/2	ISSUE 02-10-17C	SERIES ADAPT	PART NUMBER R191399100
----------	-----------------	--------------	------------------------



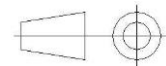
**PANEL CUT OUT**



	mm	
	Maxi	mini
A	6.6	6.5
B	6.2	6.1



All dimensions are in mm. Tolerances according ISO 2768 m-H



COMPONENTS	MATERIALS	PLATING (µm)
Body	<b>STAINLESS STEEL</b>	<b>PASSIVATED (MAT ASPECT)</b>
Center contact	<b>BERYLLIUM COPPER</b>	<b>GOLD OVER NICKEL</b>
Outer contact		
Insulator	<b>PTFE</b>	
Gasket	<b>SILICONE RUBBER</b>	
Others parts	<b>BRASS</b>	<b>BBR</b>
-	-	-
-	-	-

PAGE <b>2/2</b>	ISSUE <b>02-10-17C</b>	SERIES <b>ADAPT</b>	PART NUMBER <b>R191399100</b>
-----------------	------------------------	---------------------	-------------------------------

**PACKAGING**

Standard	Unit	Other
<b>1</b>		<b>Contact us</b>

**ELECTRICAL CHARACTERISTICS**

Impedance		<b>50</b>	$\Omega$
Frequency		<b>0-6</b>	GHz
VSWR	<b>1.2</b> +	<b>0,0000</b>	x F(GHz) Maxi
Insertion loss		<b>NA</b>	$\sqrt{F}$ (GHz) dB Maxi
RF leakage	- (	<b>NA</b>	- F(GHz)) dB Maxi
Voltage rating		<b>250</b>	Veff Maxi
Dielectric withstanding voltage		<b>500</b>	Veff mini
Insulation resistance		<b>500</b>	M $\Omega$ mini

**ENVIRONMENTAL**

Operating	<b>-55/+155</b>	$^{\circ}\text{C}$
Hermetic seal	<b>NA</b>	Atm.cm3/s
Panel leakage	<b>*IP68</b>	

**MECHANICAL CHARACTERISTICS**

Center contact retention			
Axial force – Mating End		<b>10</b>	N mini
Axial force – Opposite end		<b>10</b>	N mini
Torque		<b>NA</b>	N.cm mini

**SPECIFICATION**

**OTHER CHARACTERISTICS**

Recommended torque			
Mating	<b>SMA</b>	<b>0</b>	N.cm
	<b>MMCX</b>	<b>0</b>	N.cm
		<b>0</b>	N.cm
Panel nut		<b>150</b>	N.cm
Mating life		<b>500</b>	Cycles mini
Weight		<b>3,8900</b>	g

**\*Waterproof passing  
(2h under 1m of water)**