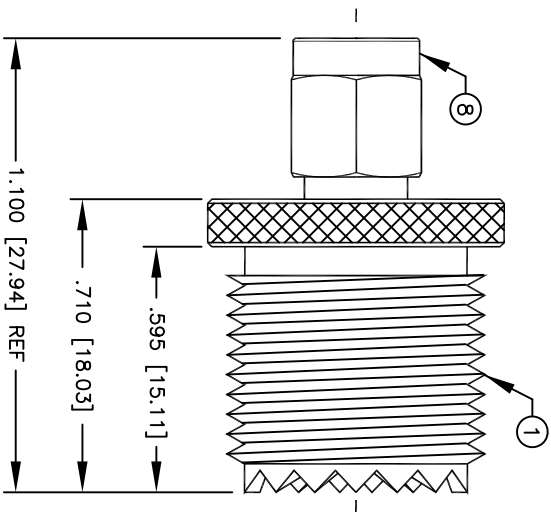


SPECIFICATION CONTROL DRAWING

THIS DRAWING CONTAINS INFORMATION PROPRIETARY TO RF INDUSTRIES, LTD. ANY UNAUTHORIZED USE OF THIS DRAWING IS EXPRESSLY PROHIBITED. ANY VIOLATION IS PUNISHABLE UNDER U.S. COPYRIGHT LAWS.

ALL DIMENSIONS ARE REFERENCE ONLY



SPECIFICATIONS:

IMPEDANCE: 50 OHMS
 WORKING VOLTAGE: 335 VRMS @ SEA LEVEL
 FREQUENCY RANGE: 300 MHZ

ITEM	DESCRIPTION	QTY	MATERIAL	FINISH
8	SHELL	1	BRASS	NICKEL
7	RETAINING RING	1	BeCu	NONE
6	GASKET	1	S.I. RUBBER	RED
5	DIELECTRIC	1	TEFLON	NONE
4	DIELECTRIC	1	TEFLON	NONE
3	CONTACT	1	BRASS	GOLD
2	CONTACT	1	BRASS	GOLD
1	BODY	1	BRASS	NICKEL

DIMENSIONS ARE IN INCHES AND [MILLIMETERS] UNLESS OTHERWISE NOTED TOLERANCES ARE:

DECIMALS DIAMETER

DRAWN BY: C. ZUNIGA
 CHECKED BY: C. ZUNIGA
 DATE: 1/19/98

ORIG. DRAWN BY: C. ZUNIGA
 APPROVALS: [Signature]
 DATE: 1/19/98

REV	DESCRIPTION	DWN	DATE	APPROVED
A	ENGINEERING RELEASE	CZS	1/19/98	R. RICE

RF Connectors
 DIVISION OF RF INDUSTRIES, LTD.
 7610 MIRAMAR RD
 SAN DIEGO, CA 92126
 (619)549-6340
 (619)549-6345 FAX

RSA-3457

SMA MALE TO UHF FEMALE

SIZE	CABLE GROUP	DWG NO.	REV
A	N/A	8829	A

SCALE: 2:1 CAD FILE 13ARC B SHEET 1 OF 1