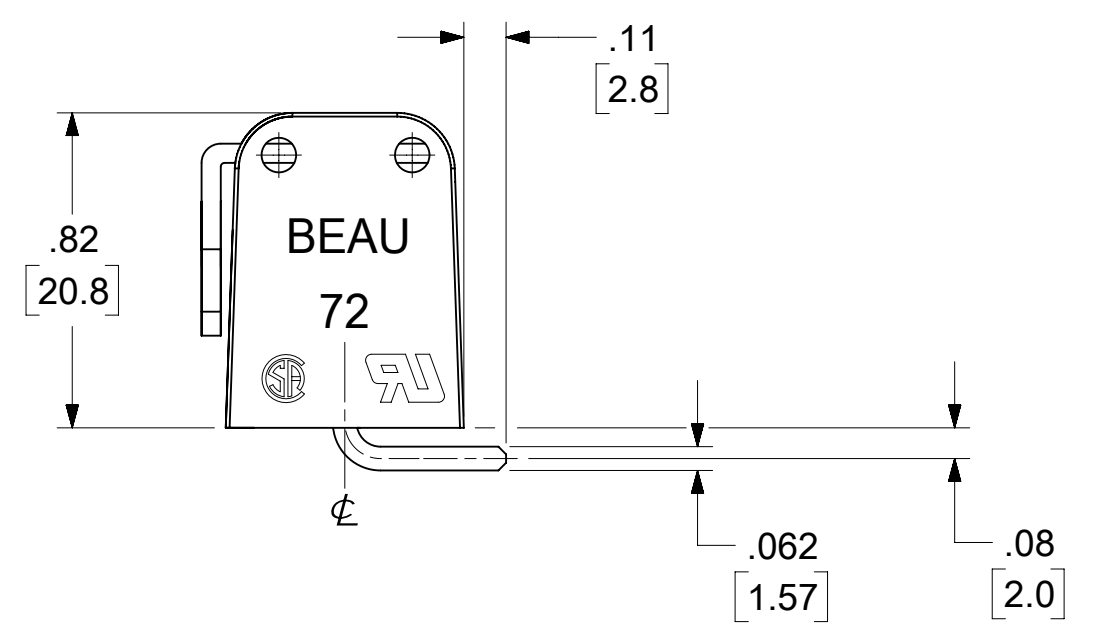
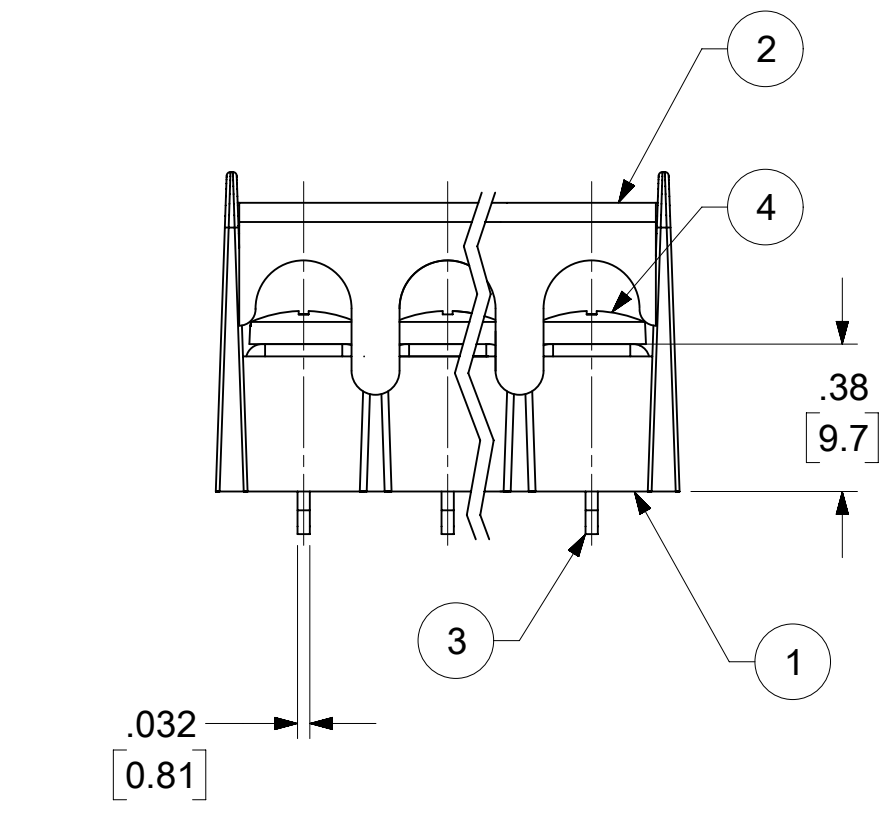
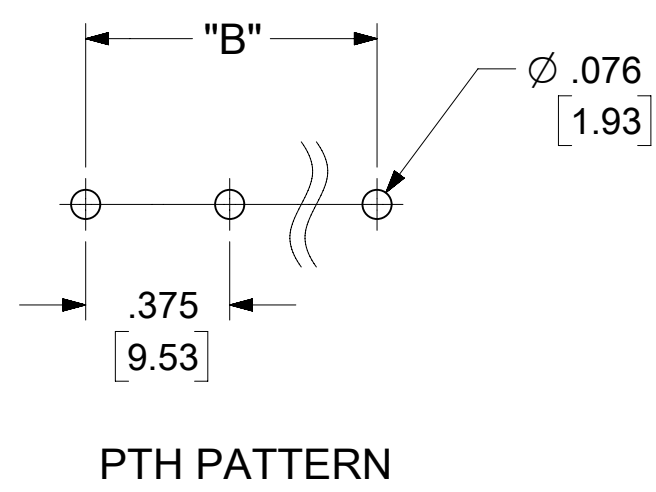
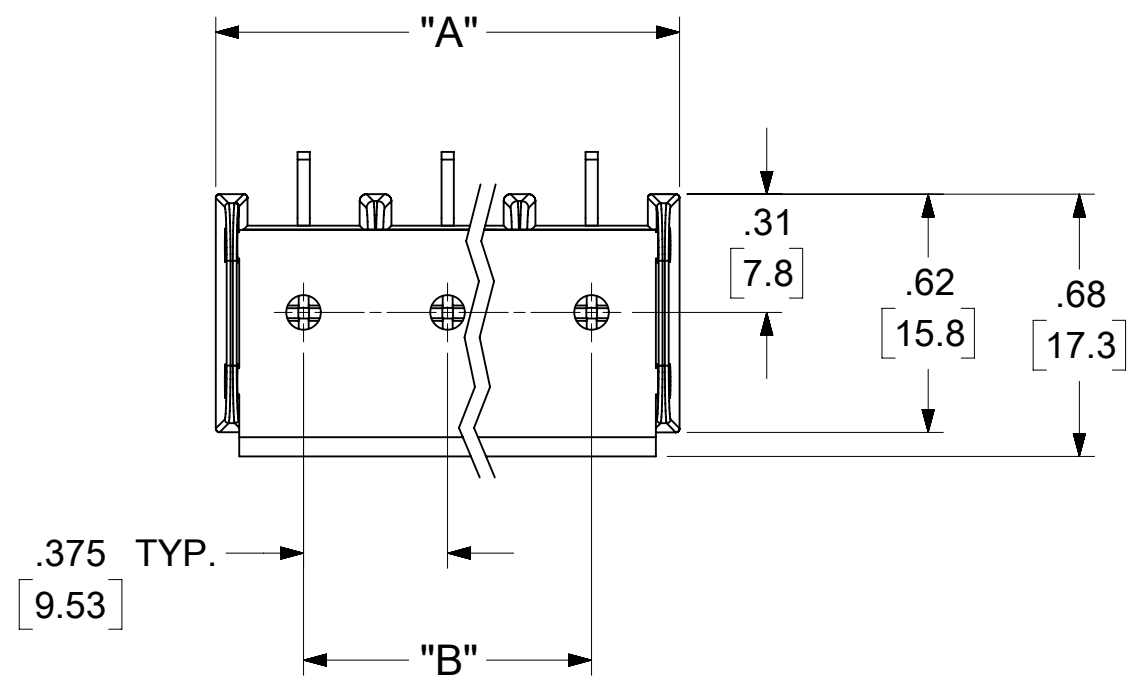
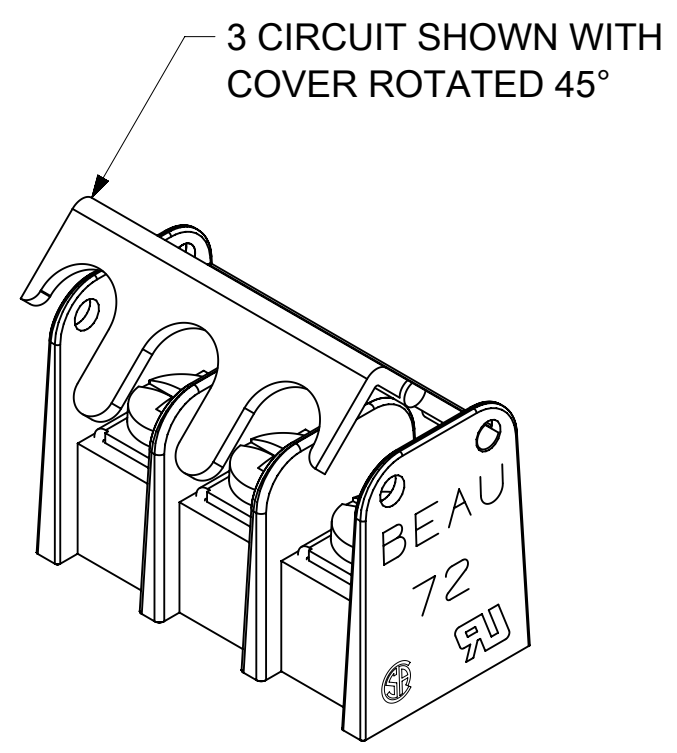


MATERIAL NUMBER	ENGINEERING NUMBER	NUMBER OF CIRCUITS "XX"	DIM. "A"		DIM. "B"		HINGED COVER COLOR	HINGED COVER MATERIAL
			IN	mm	IN	mm		
387291658	72803-C-H	03	1.21	30.7	.750	19.05	BLACK	PBT (UL94V-O)
387291659	72803-C-H-SP1	03	1.21	30.7	.750	19.05	CLEAR	LEXAN (UL 94V-0)
387291452	72804-C-H	04	1.58	40.1	1.125	28.58	BLACK	PBT (UL94V-O)



- NOTES:
1. MATERIAL: SEE TABLE
 2. FINISH: SEE TABLE
 3. ELECTRICAL SPECS:
MAX VOLTAGE: 300V
MAX CURRENT: 15A
 4. WIRE RANGE: 22 TO 14 AWG
 5. SCREW TIGHTENING TORQUE: 12 IN LBS. (MAX)
 6. WIRE STRIP LENGTH: .31 (7.9mm)
 7. OPERATING TEMP: -40°C TO +100°C
 8. PRODUCT SPEC: PS-38710-001
 9. PART IS RoHS COMPLIANT
 10. XX EQUALS NUMBER OF CIRCUITS

ITEM	QTY.	DESCRIPTION	MATERIAL	FINISH
4	XX	SCREW, #6-32X.250, BHD, PH/SL (STD.)	STEEL	ZINC, CLEAR CHROMATE
3	XX	TERM WIRE WRAP 6C SN-KT	BRASS	TIN PLATE (MATTE) (B1) .00015/.00025 TIN OVER .00005/.00015 NICKEL
2	1	COVER, HINGE (UL 94V-0)	SEE CHART	SEE CHART
1	1	INSULATOR, SR, PC, CH	POLYESTER (PBT)	BLACK

SYMBOLS	THIS DRAWING CONTAINS INFORMATION THAT IS PROPRIETARY TO MOLEX ELECTRONIC TECHNOLOGIES, LLC AND SHOULD NOT BE USED WITHOUT WRITTEN PERMISSION			
	DIMENSION UNITS	SCALE	CURRENT REV DESC: TERM WIRE WRAP MATERIAL CHANGE	
▽ = 0	INCH/MM	2:1	<p>molex</p> <p>SR BTS .375 PITCH PC, RA WITH CLEAR HINGED COVER</p> <p>PRODUCT CUSTOMER DRAWING</p> <p>DOCUMENT NUMBER: SD-38729-077 DOC TYPE: PSD DOC PART: 001 REVISION: B1</p> <p>MATERIAL NUMBER: SEE CHART CUSTOMER: GENERAL MARKET SHEET NUMBER: 1 OF 1</p>	
▽ = 0	GENERAL TOLERANCES (UNLESS SPECIFIED)			
▽ = 0	MM	INCH		
▽ = 0	4 PLACES ± --- ± ---	3 PLACES ± --- ± .005		
▽ = 0	1 PLACE ± 0.3 ± ---	0 PLACES ± --- ± ---	<p>EC NO: 628645</p> <p>DRWN: ABENJAMINLW 2019/12/04</p> <p>CHK'D: DACHAMMER 2019/12/05</p> <p>APPR: JFMURPHY 2019/12/05</p>	
▽ = 0	ANGULAR TOL ± 2°	THIRD ANGLE PROJECTION	DRAWING	SERIES
▽ = 0	DRAFT WHERE APPLICABLE MUST REMAIN WITHIN DIMENSIONS	THIRD ANGLE PROJECTION	C-SIZE	38729