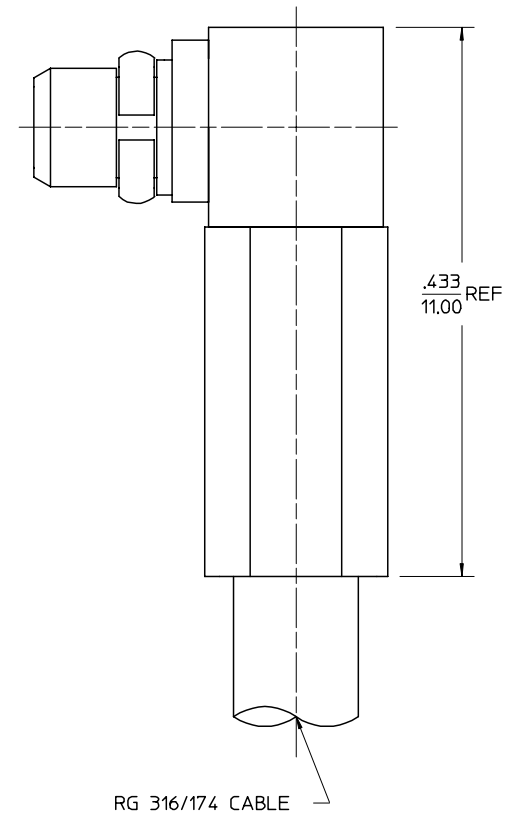
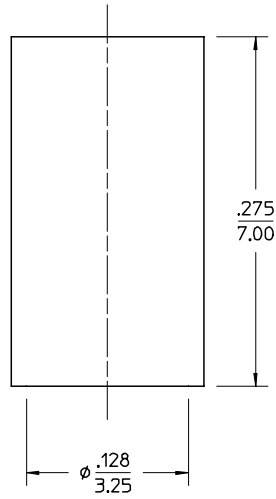
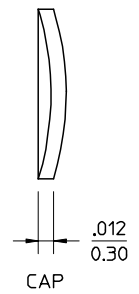
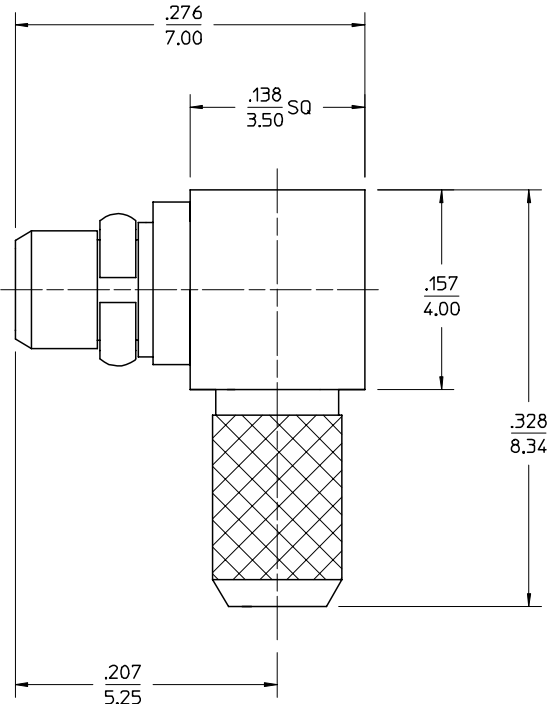


MATERIALS AND FINISHES:

BODYS, CRIMP TUBE, CAP
BRASS, PLATED GOLD

CONTACT, SNAP RING
BERYLLIUM COPPER, PLATED GOLD

INSULATOR
TEFLON



AS-89678-4500	CABLE ASSEMBLY INSTRUCTIONS	SD-73415-2311	PER COMMERCIAL REQUIREMENTS
PS-89675-1930	ELECTRO/MECH PERFORMANCE	SD-73415-2310	PER MILITARY REQUIREMENTS
SPECIFICATION	DESCRIPTION	PART NUMBER	PLATING

CHG:	EC NO. RF-XXXX DRWN: LYNN LIN CHK: JOHNSON CHANG APPR: MISEN HUANG CHG: NEW RELEASE	EC NO. RF-0739 DRWN: JACK 00/09/19 CHK: JOHNSON APPR: MISEN	DESCRIPTION
REV	B	A	UNLESS OTHERWISE SPECIFIED DIMS ARE INCHES AND ANGLES ARE DEGREES. 1. ✓ 63 ALL OVER. 2. NO CHATTER OR NON-UNIFORM SURFACE FINISH ALLOWED. 3. PARTS TO BE FREE OF BURRS & SHARP EDGES .005 MAX BREAK, & EXTERNAL THREADS TO BE ROLLED OR SINGLE POINT. 4. EXTERNAL THREADS TO BE ROLLED OR SINGLE POINT. 5. DIAMETERS TO BE CONCENTRIC WITHIN .003 TIR.

UNLESS OTHERWISE SPECIFIED DIMS ARE INCHES AND ANGLES ARE DEGREES.
1. ✓ 63 ALL OVER.
2. NO CHATTER OR NON-UNIFORM SURFACE FINISH ALLOWED.
3. PARTS TO BE FREE OF BURRS & SHARP EDGES .005 MAX BREAK, & EXTERNAL THREADS TO BE ROLLED OR SINGLE POINT.
4. EXTERNAL THREADS TO BE ROLLED OR SINGLE POINT.
5. DIAMETERS TO BE CONCENTRIC WITHIN .003 TIR.

QUALITY SYMBOLS	GENERAL TOLERANCES: (UNLESS SPECIFIED)	SCALE	DESIGN UNITS	THIRD ANGLE PROJECTION
MAJOR	mm INCH	—	mm INCH	<input type="checkbox"/> mm <input checked="" type="checkbox"/> INCH
CRITICAL	4 PLACES * — * —		DRAWN BY & DATE	JACK LIN 2000/09/19
	3 PLACES * — * —		CHECKED BY & DATE	
	2 PLACES * .13 * —		APPROVED BY & DATE	
	1 PLACE * .25 * —		CAD FILENAME	
	ANGULAR: ±2°		MATERIAL NO. SEE NOTE	DRAWING NO. SD-73415-231
	DRAFT WHERE APPLICABLE MUST REMAIN WITHIN DIMENSIONS		THIS DRAWING CONTAINS INFORMATION THAT IS PROPRIETARY TO MOLEX INCORPORATED AND SHOULD NOT BE USED WITHOUT WRITTEN PERMISSION.	

DIMENSIONS:		1	B1
<input type="checkbox"/> mm <input checked="" type="checkbox"/> INCH	<input type="checkbox"/> mm ONLY	SHT	REV
TITLE:		REVISE ON CAD ONLY	
MOLEX INCORPORATED		MMCX(P) REVERSE R/A RG316/174 MMCX-PC	
SHEET NO. 1 of 1		SIZE B	