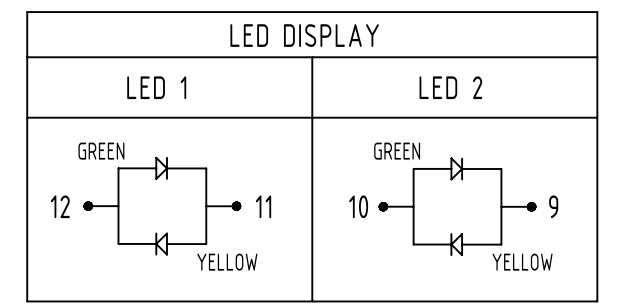
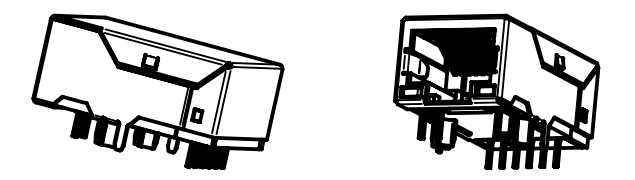


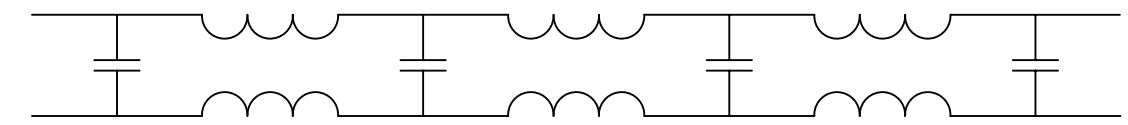
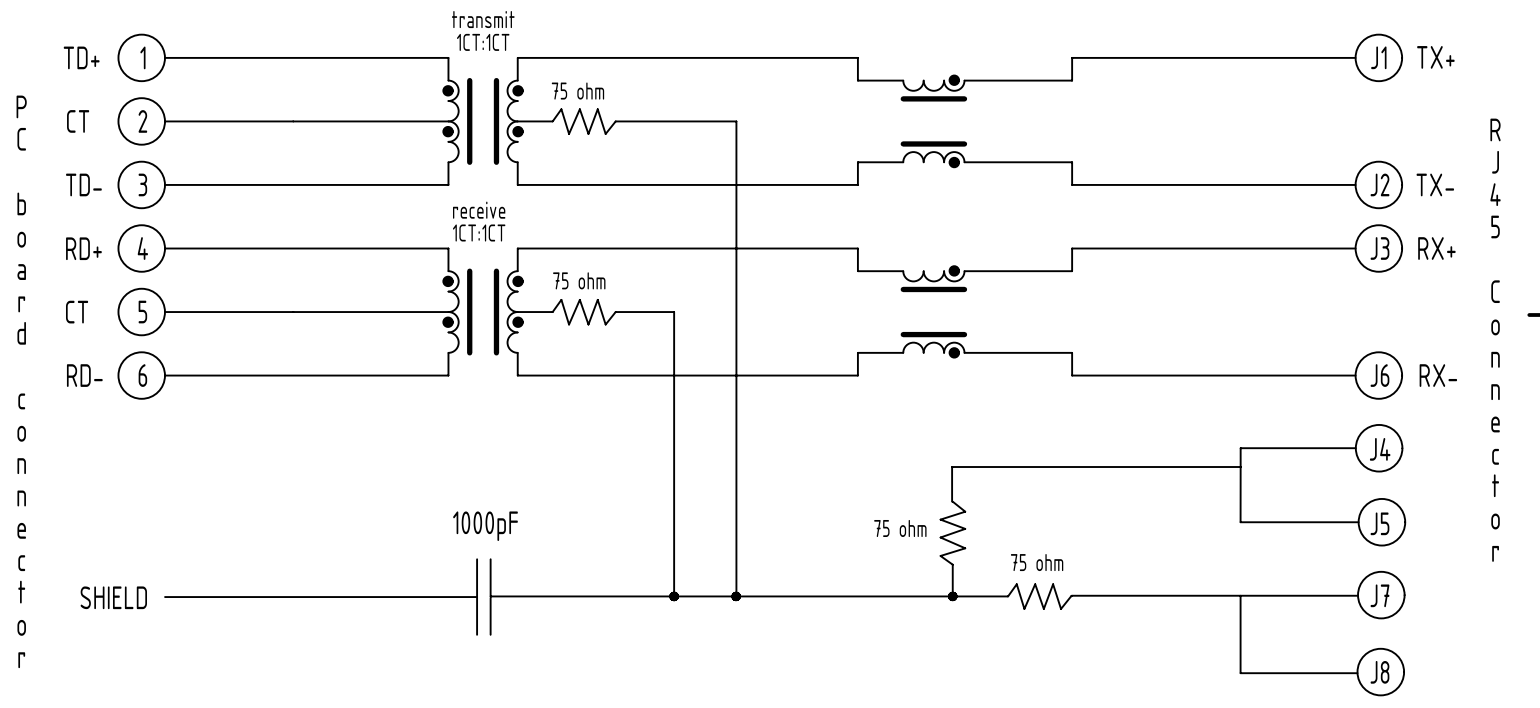
**Material:**  
 Housing and insert material: High Temperature black UL94-V0  
 Shield material: Brass C2680 H. Plating nickel  
 Contact material: Phosphore Bronze thickness 0,35mm  
 Plating contact : gold over nickel

**Technical data:**  
 In accordance with IEEE 802.3u & TIA 1096A  
 For 100 base transmission over UTP-5 cable  
 Storage: -40°C to 85°C  
 Operation: -25°C to 70°C  
 Operating lifetime: 750 cycles min.

**Packaging:**  
 56 parts per tray and 13 trays per carton box



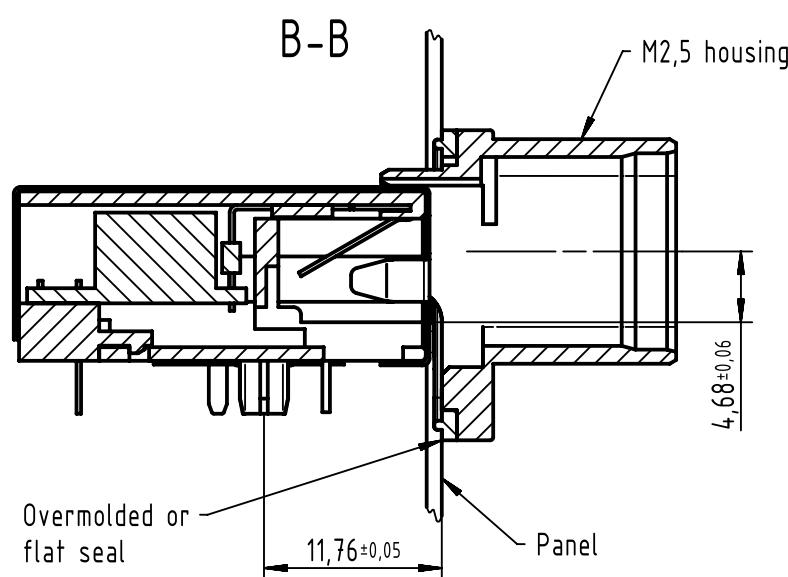
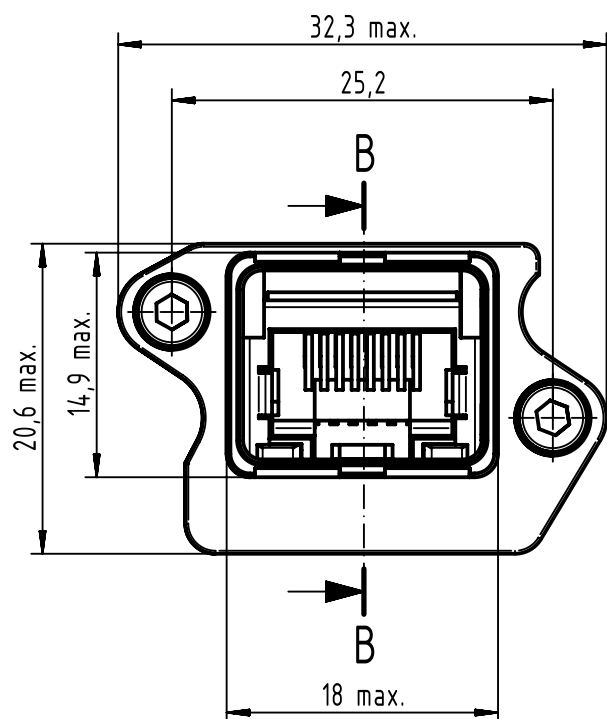
**Schematic**



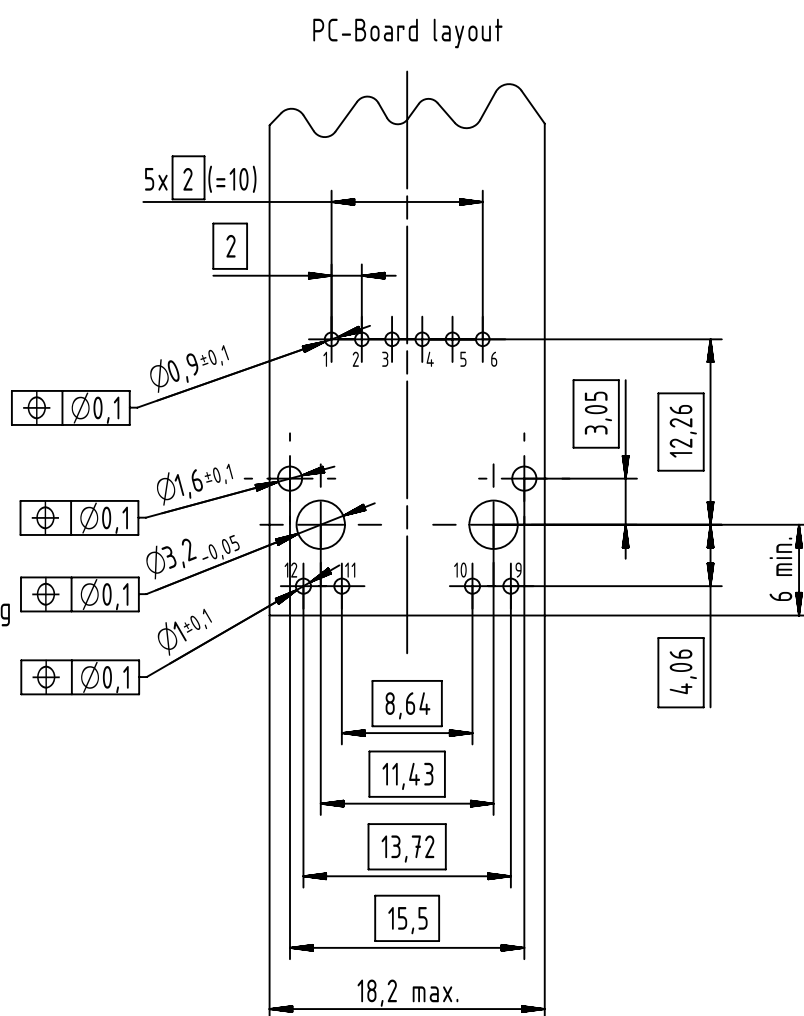
**High/Low Pass Filter Schematic on PC Board**

	All rights reserved Department EC PD - FR	Created by HUCBOURG	Inspected by BAGDIKIAN	Standardisation HOFFMANN	Date 2013-12-03	State Final Release
	Title: RJ45 jack 10/100 Mbit LED gn/ye Type: TB Number: 09455511132					Doc-Key / ECM-Nr. 100555079/UGD/000/A 50000067664
HARTING Electronics GmbH D-32339 Espelkamp		All Dimensions in mm Original Size DIN A3 Scale 2:1 Free size tol.		Ref. Sub.		Rev. A Page 1/4

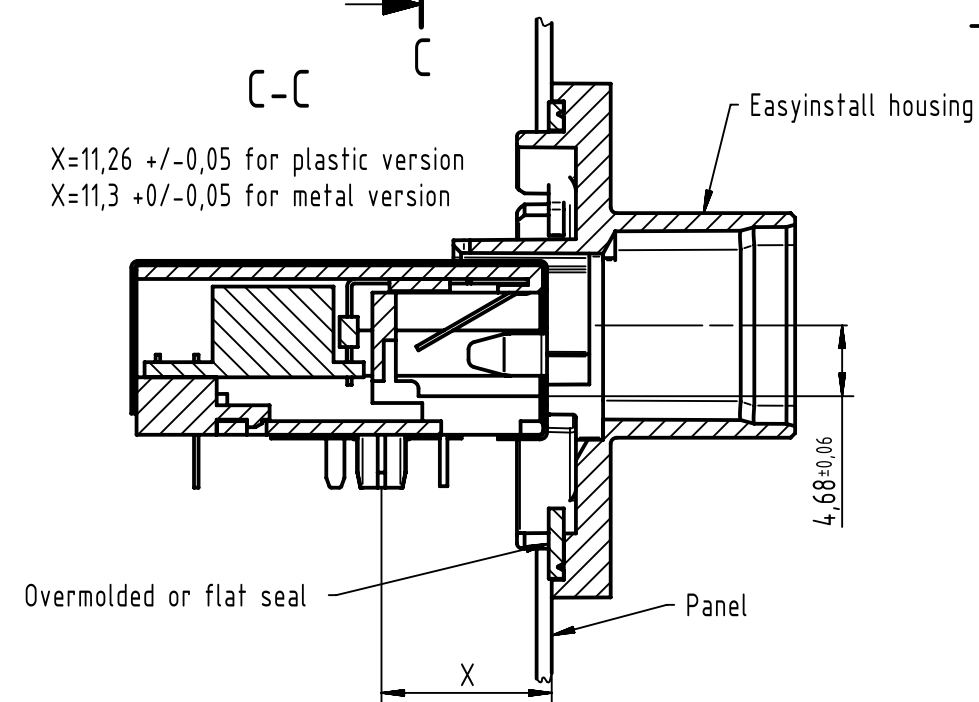
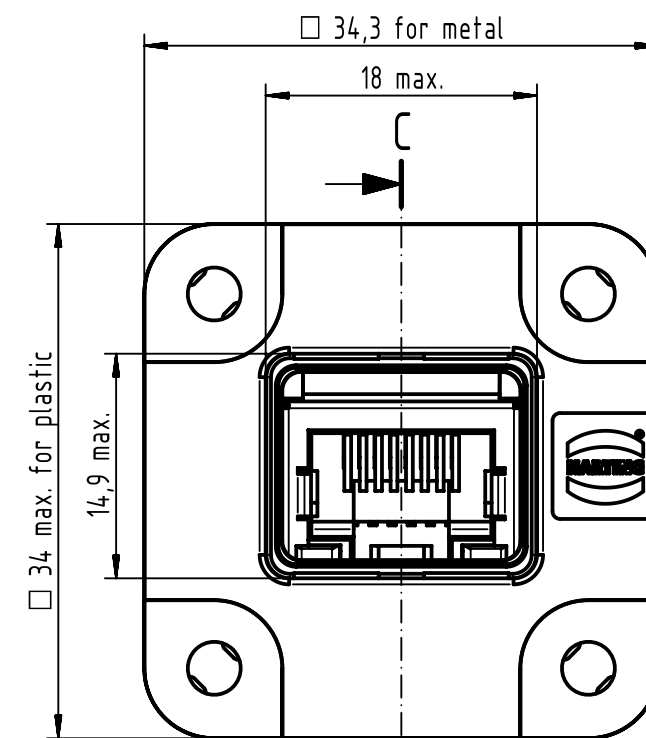
Mounting instructions for HARTING  
Push-Pull compact receptacle housing  
PN: 09455450023  
PN: 09455450033



Receptacle mating side according to IEC 61076-3-106 variant 4



Mounting instructions for HARTING  
Push-Pull Easy-Install receptacle housing  
PN: 09455450030  
PN: 09455950030

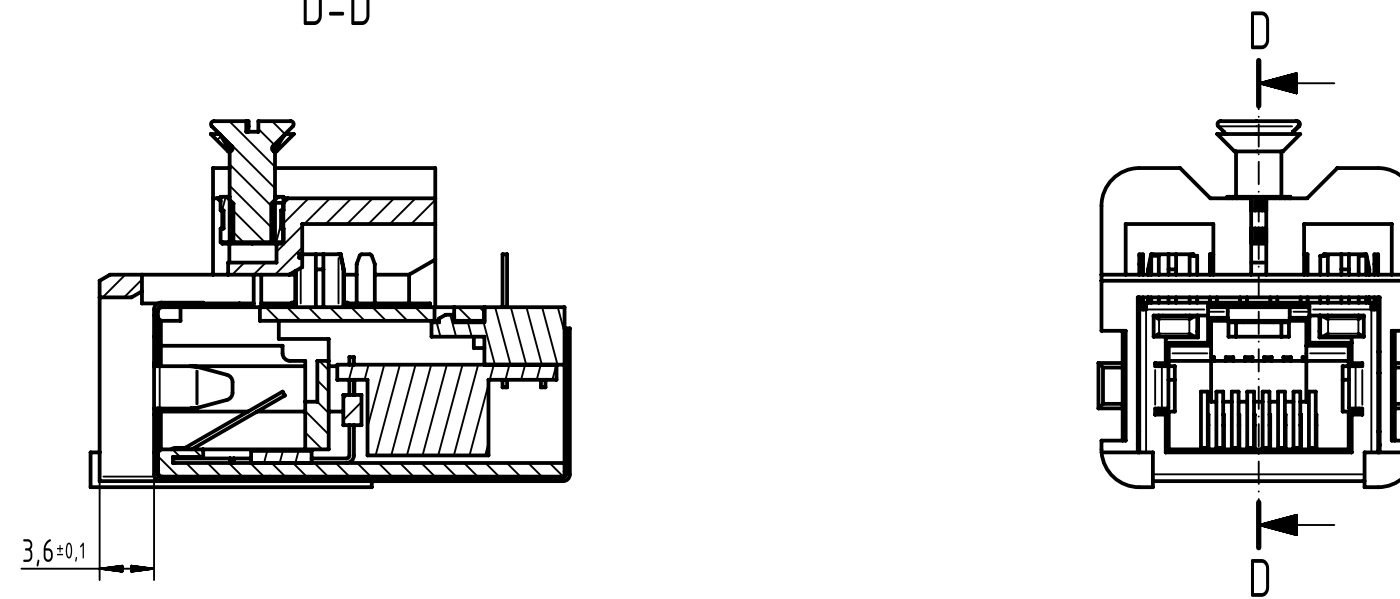


Receptacle mating side according to IEC 61076-3-106 variant 4

	All rights reserved Department EC PD - FR	Created by HUCBOURG	Inspected by BAGDIKIAN	Standardisation HOFFMANN	Date 2013-12-03	State Final Release	Ref. Sub.
	HARTING Electronics GmbH D-32339 Espelkamp	Title RJ45 jack 10/100 Mbit LED gn/ye				Doc-Key / ECM-Nr. 100555079/UGD/000/A 50000067664	

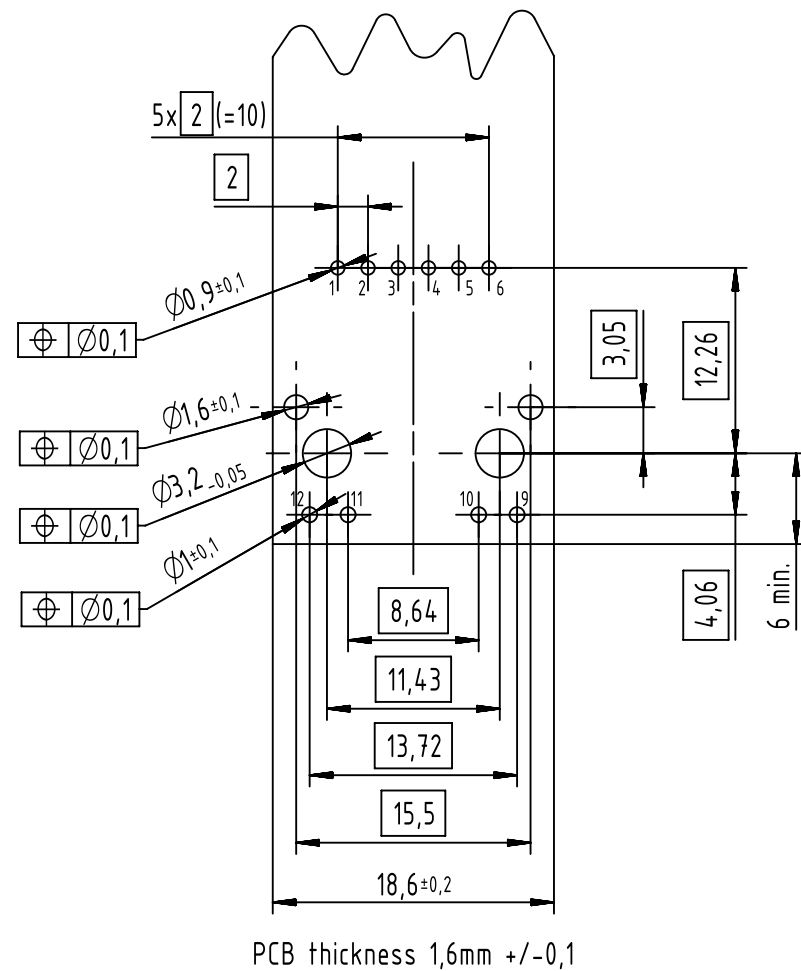
# Mounting instruction for HARTING Han 3A RJ45 housing with Han 3A adapter without fixing clips PN: 09455150022

D-D



Receptacle mating side according to IEC 61076-3-106 variant 5

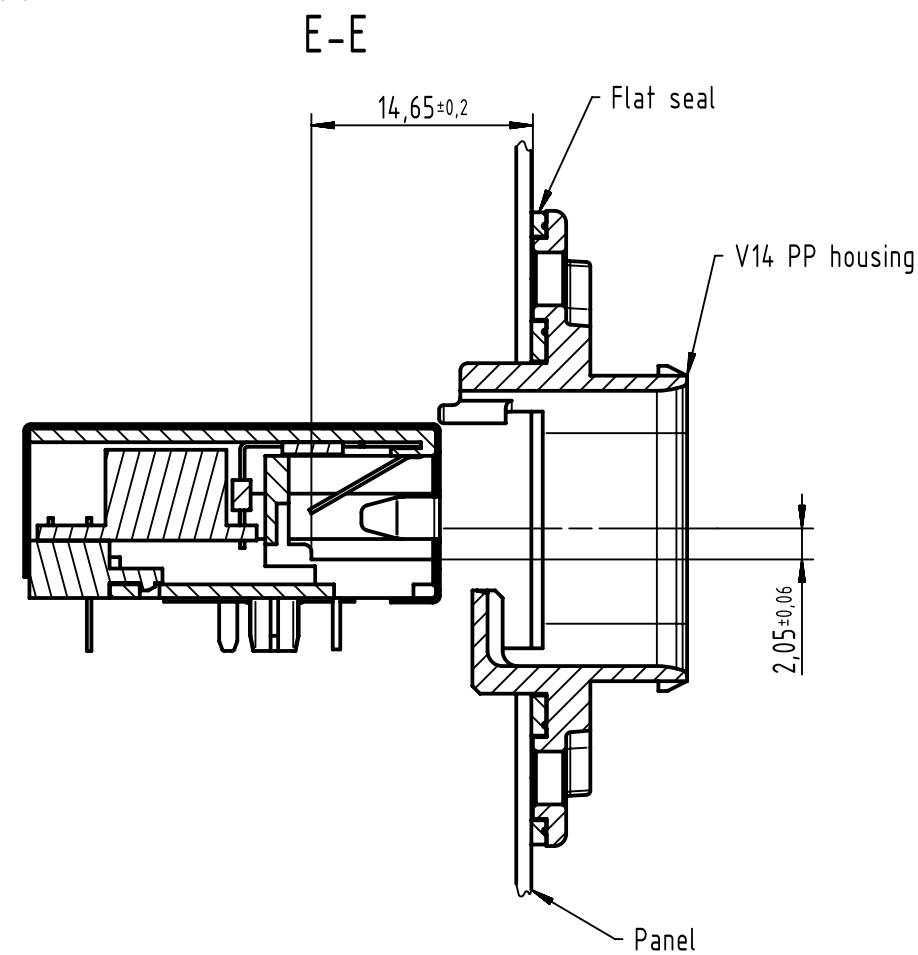
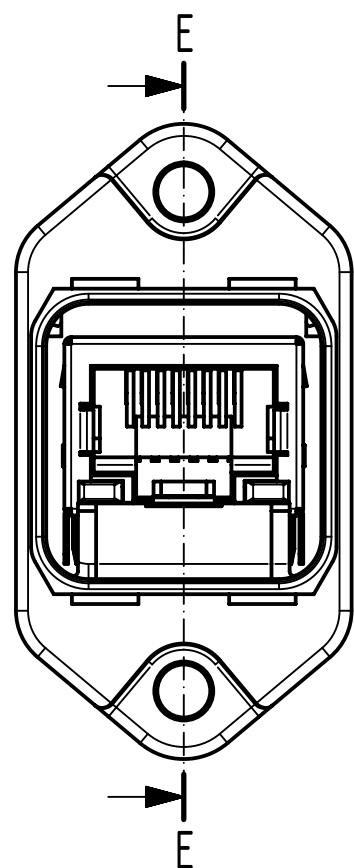
PC-Board layout



	All rights reserved Department EC PD - FR	All Dimensions in mm Original Size DIN A3	Scale 2:1	Free size tol.	Ref. Sub.
	HARTING Electronics GmbH D-32339 Espelkamp	Created by HUCBOURG	Inspected by BAGDIKIAN	Standardisation HOFFMANN	Date 2013-12-03
Title RJ45 jack 10/100 Mbit LED gn/ye					State Final Release
Type TB					Number 0945511132
Doc-Key / ECM-Nr. 100555079/UGD/000/A 50000067664					Rev. A
Page 3/4					Page 3/4

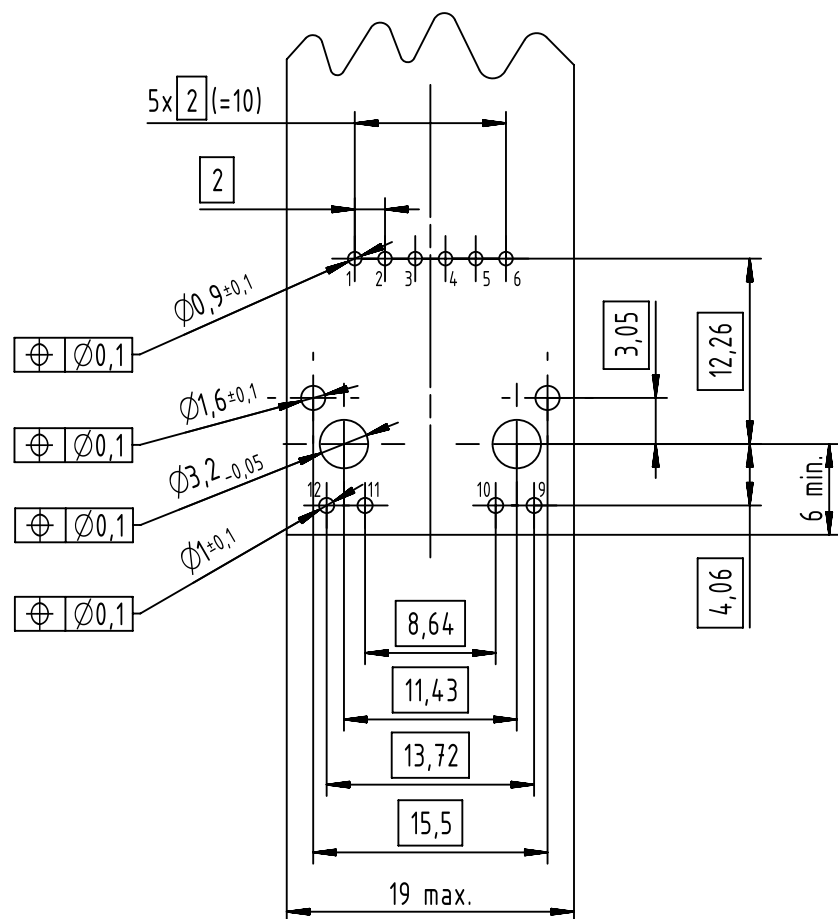
# Mounting instruction for HARTING Han Push-Pull RJ45 housing

PN: 09350020301



Receptacle mating side according to DIN EN 61076-3-117

PC-Board layout



	All Dimensions in mm Original Size DIN A3		Scale 2:1	Free size tol.		Ref.
						Sub.
All rights reserved Department EC PD - FR		Created by HUCBOURG	Inspected by BAGDIKIAN	Standardisation HOFFMANN	Date 2013-12-03	State Final Release
HARTING Electronics GmbH D-32339 Espelkamp		Title RJ45 jack 10/100 Mbit LED gn/ye			Doc-Key / ECM-Nr. 100555079/UGD/000/A 50000067664	
		Type TB	Number 09455511132		Rev. A	Page 4/4