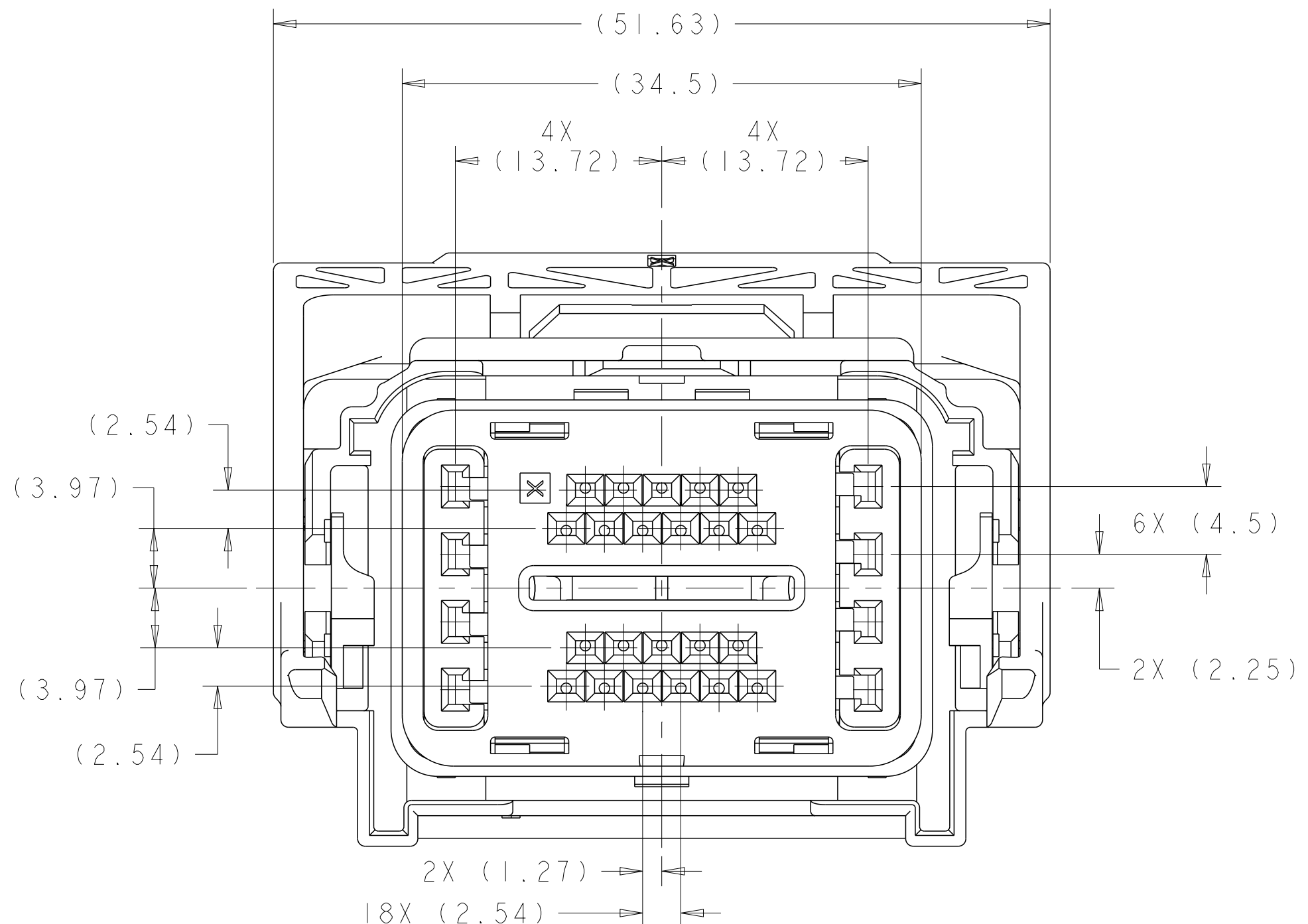
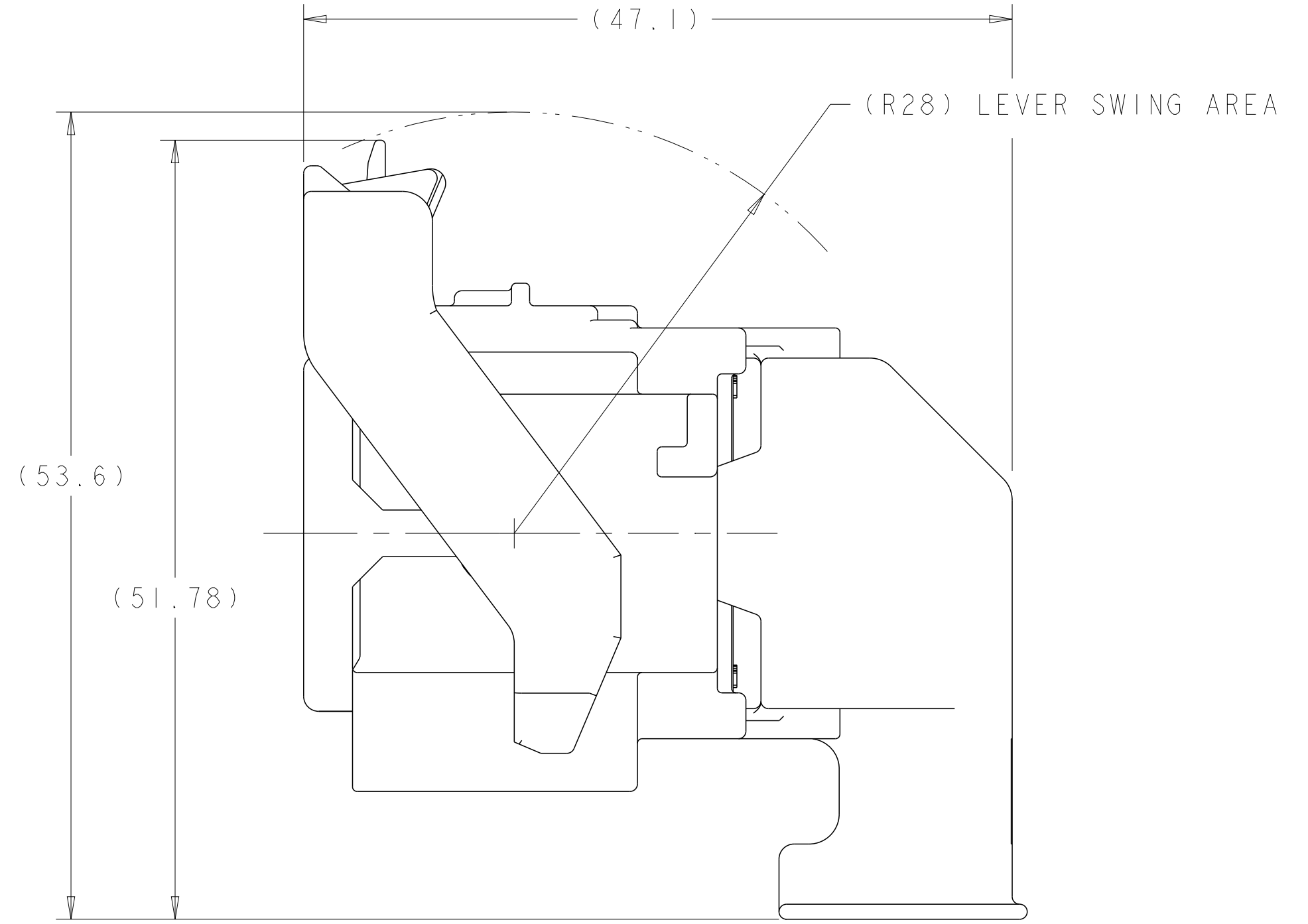


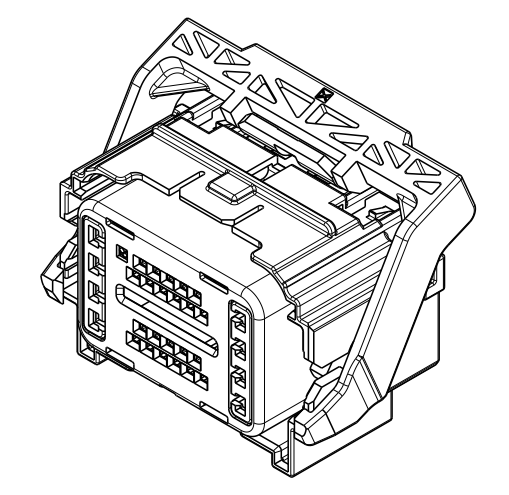
REVISIONS					
P	LTN	DESCRIPTION	DATE	DMN	APVD
H7		REVISED PER ECO-14-015177	15OCT2014	DLD	DCM
H8		REVISED PER ECO-15-011500	07AUG2015	DLD	DCM
H9		REVISED PER ECO-18-005723	16APR2018	JMS	CM
H10		REVISED PER ECO-20-012415	10SEP2020	AP	CM



KEYING OPTION "A" \triangle
 1438083-1

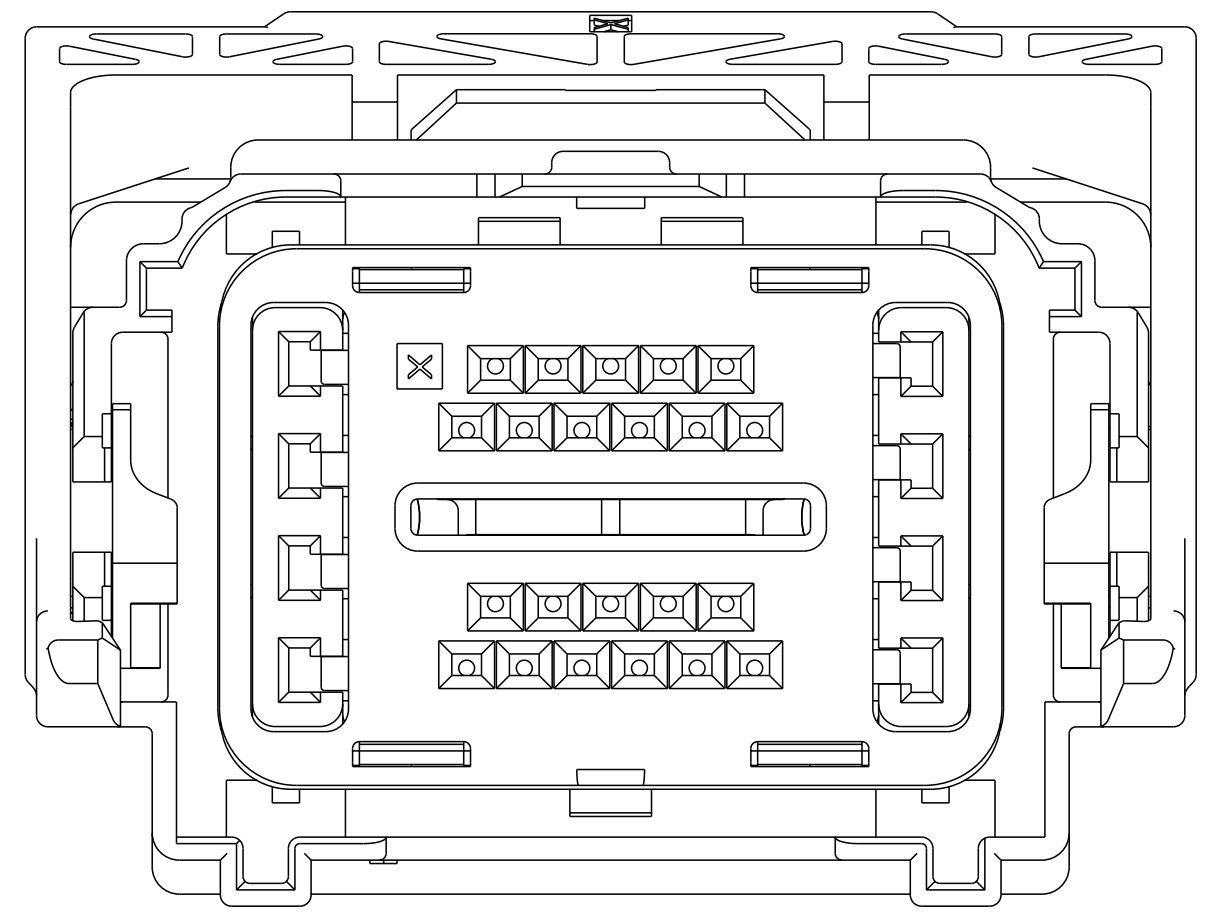


SHOWN WITH CAM LEVER AND SPACER
 IN LOADED POSITION WITH
 OPTIONAL WIRESHIELD



SCALE 1:1

- \triangle MATERIAL:
 HARNESS - 35% GLASS FILLED PA66, BLACK
 ALT MAT'L - 30% GLASS FILLED sPS, BLACK
- SPACER - 40% GLASS FILLED PPS, RED
 ALT MAT'L - 30% GLASS FILLED sPS, RED
- COVER - 35% GLASS FILLED PA66, BLACK
 ALT MAT'L - 30% GLASS FILLED LCP, BLACK
- CAM LEVER - 35% GLASS FILLED NYLON, GRAY
 GROMMET - SILICONE, BROWN
 PERIMETER SEAL - SILICONE, GREEN
- 2. CAM LEVER AND SPACER ARE SHIPPED IN PRE-LATCH POSITION.
- \triangle SEE PINOUT CHART FOR CLOSED CIRCUIT CONFIGURATIONS.
- \triangle CAVITIES WITH A NUMERIC SYMBOL INDICATES CLOSED TERMINAL LOCATIONS.
 BLANK CAVITIES INDICATE OPEN TERMINAL HOLE LOCATIONS.
- \triangle OBSOLETE PART



KEYING OPTION "B" \triangle
 2272926-1

CHART FOR CLOSED CIRCUIT CONFIGURATIONS
 SHEET 2

THIS DRAWING IS A CONTROLLED DOCUMENT.		DMN R. VESTAL 15OCT2003	
DIMENSIONS:		CHK D. STRAUSSER 15OCT2003	
mm	TOLERANCES UNLESS OTHERWISE SPECIFIED:	APVD D. STRAUSSER 15OCT2003	NAME PCM HARNESS ASSEMBLY, 30-WAY CONNECTOR
 0 PLC ± 1 PLC ±0.3 2 PLC ±0.10 3 PLC ± 4 PLC ± ANGLES ± FINISH ±	PRODUCT SPEC APPLICATION SPEC WEIGHT CUSTOMER DRAWING	SIZE CAGE CODE DRAWING NO A100779C=1438083	RESTRICTED TO
MATERIAL	FINISH	SCALE 3:1	SHEET 1 OF 2
		REV. H10	

