

NOTES:

1. ELECTRICAL:

- VOLTAGE RATING PER IEC 60664: 300V
- VOLTAGE RATING PER UL: 300V
- CURRENT: 8A

2. TEMP RATING: -25° TO +60°C

3. PROTECTION: IP67 (WHEN MATED)

4. COUPLING THREAD" 7/8-16

5. AGENCY:

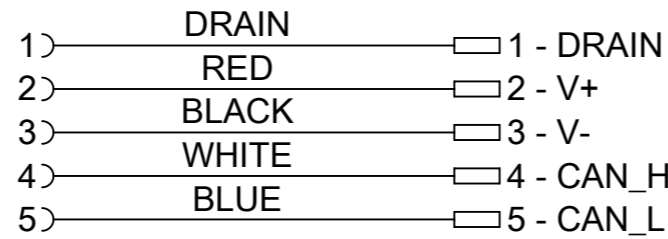
- UL RECOGNIZED, FILE: E152210
- CSA CERTIFICATION FILE: LR6837

6 ALL DIMS ARE FOR REFERENCE UNLES NOTED OTHERWISE

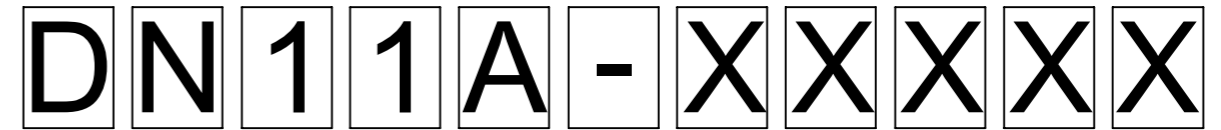
UNLES NOTED OTHERWISE

7. PART NUMBERS WITH "H" HAVE TWO ID MARKERS ONE ON EACH END

WIRING DIAGRAM



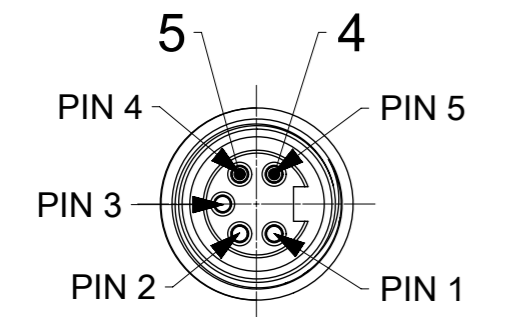
PART No. MATRIX



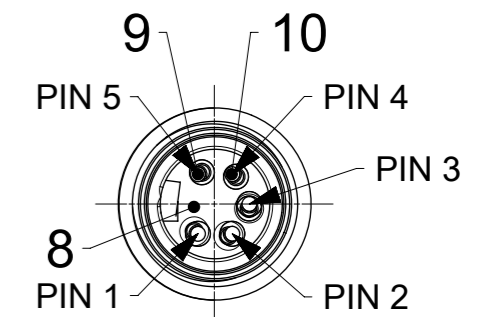
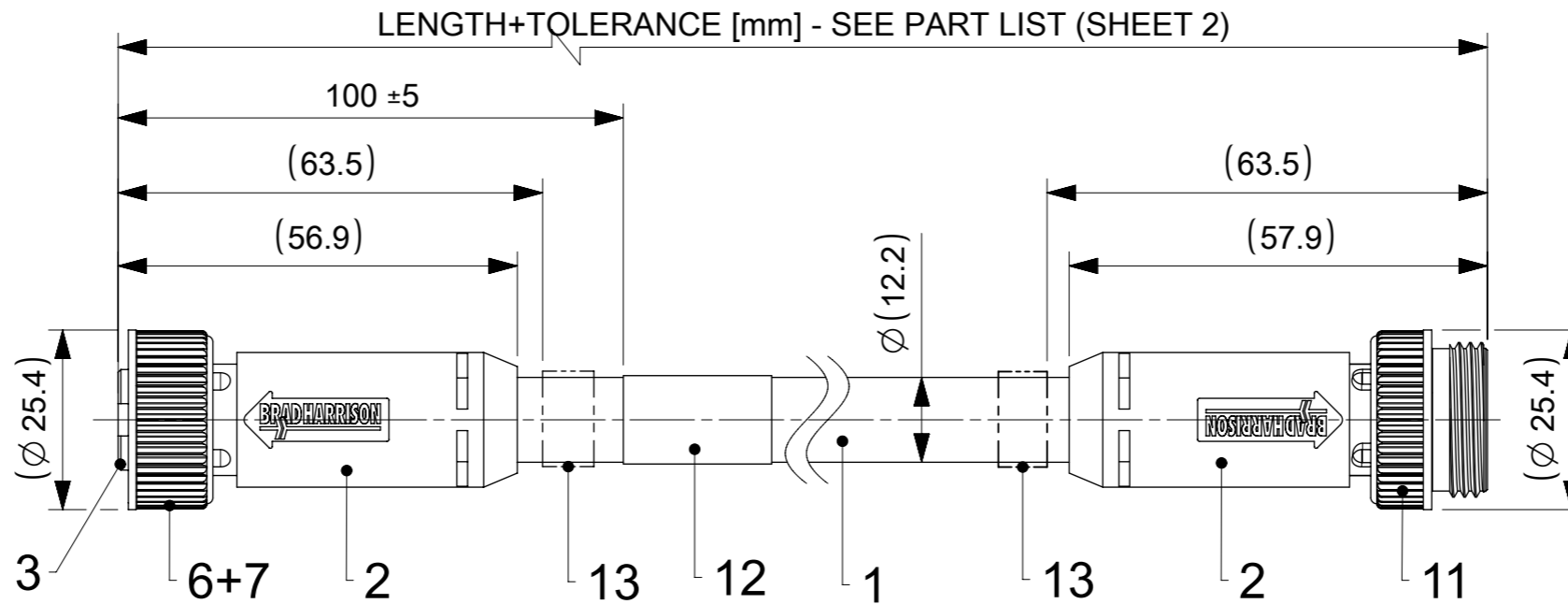
Units:  
M = Meter  
T = over  
100 Meter

Length  
Examples:  
005 = 0.5 m  
010 = 1 m  
050 = 5 m  
100 = 10 m  
150 = 15 m

OPTIONAL:  
H = ID CARRIER



VIEW FROM THE FRONT SIDE

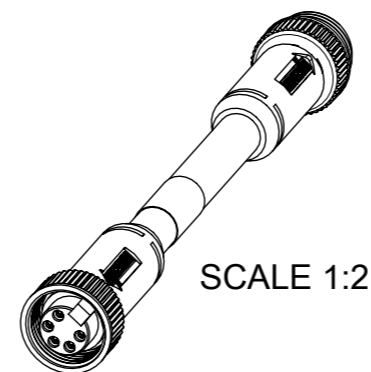


VIEW FROM THE FRONT SIDE

BILL OF MATERIALS

ITEM	QTY	DESCRIPTION	MATERIAL	FINISH/COLOR
13	2	ID CARRIER	PVC	-
12	1	LABEL WRAP	VINYL	YELLOW
11	1	COUPLING NUT A-SIZE EXT.	ZINC	BLACK
10	2	PIN CONTACT 16 AWG	COPPER	GOLD OVER Ni-PLATED
9	3	PIN CONTACT 18 AWG	COPPER	GOLD OVER Ni-PLATED
8	1	HOUSING A-SIZE 5P MALE	ARNITEL	BLACK
7	1	FRICTION RING A-SIZE	NYLON	GRAY
6	1	MC COUPLING NUT A-SIZE	ZINC	BLACK
5	2	MC SOCKET SLEEVE ASSY 16 AWG	COPPER	GOLD OVER Ni-PLATED
4	3	MC SOCKET SLEEVE ASSY 18 AWG	COPPER	GOLD OVER Ni-PLATED
3	1	HOUSING A-SIZE 5P FEMALE	ARNITEL	BLACK
2	-	MOULDING MATERIAL	ARNITEL	BLACK
1	-	TRUNK CABLE 19X30 AWG OD=12	PVC	GRAY

DOCUMENT STATUS	P1	RELEASE DATE	2022/02/15	09:19:21
-----------------	----	--------------	------------	----------



SCALE 1:2

FUNCTIONAL SYMBOLS	THIS DRAWING CONTAINS INFORMATION THAT IS PROPRIETARY TO MOLEX ELECTRONIC TECHNOLOGIES, LLC AND SHOULD NOT BE USED WITHOUT WRITTEN PERMISSION		CURRENT REV DESC: PIN'S ADDED,NOTES UPDATED	
	△/A = 0	mm	SCALE	1:1
DIVISIONAL SYMBOLS	GENERAL TOLERANCES (UNLESS SPECIFIED)		EC NO: 695738	
	△/E = 0	ANGULAR TOL ± 1.0°	DRWN: RSCHIEBER	2022/02/14
FUNCTIONAL SYMBOLS	4 PLACES ±	INITIAL REVISION:	CHK'D: RSILLER	2022/02/15
	3 PLACES ±		APPR: RSILLER	2022/02/15
	2 PLACES ± 0.05		DRWN: MKOWALCZYK01	2018/09/07
	1 PLACE ± 0.3		APPR: MMATLA	2018/09/11
0 PLACES ± 0.5	DRAFT WHERE APPLICABLE MUST REMAIN WITHIN DIMENSIONS	THIRD ANGLE PROJECTION	DRAWING	SERIES
		⊕	A3-SIZE	130025
		DOCUMENT NUMBER	MATERIAL NUMBER	CUSTOMER
		1300250051	SEE SHEET 2	GENERAL MARKET
		DOC TYPE	DOC PART	REVISION
		PSD	000	B1
		SHEET NUMBER		1 OF 2

PART LIST

MOLEX PN	ENGINEERING NO.	LENGTH + TOL.[mm]
1300240329	DN11A-M650	65000 +1300
1300250048	DN11A-M003	300 +19
1300250051	DN11A-M005	500 +45
1300250054	DN11A-M010	1000 +56
1300250058	DN11A-M015	1500 +56
1300250061	DN11A-M020	2000 +89
1300250067	DN11A-M030	3000 +89
1300250071	DN11A-M040	4000 +165
1300250073	DN11A-M050	5000 +165
1300250076	DN11A-M060	6000 +165
1300250079	DN11A-M070	7000 +165
1300250081	DN11A-M080	8000 +317
1300250083	DN11A-M090	9000 +317
1300250085	DN11A-M100	10000 +317
1300250087	DN11A-M120	12000 +317
1300250090	DN11A-M130	13000 +317
1300250091	DN11A-M140	14000 +317
1300250092	DN11A-M150	15000 +610
1300250095	DN11A-M180	18000 +610
1300250097	DN11A-M200	20000 +610
1300250099	DN11A-M210	21000 +610
1300250102	DN11A-M240	24000 +610
1300250103	DN11A-M250	25000 +610
1300250105	DN11A-M270	27000 +610
1300250108	DN11A-M300	30000 +610

MOLEX PN	ENGINEERING NO.	LENGTH + TOL.[mm]
1300250114	DN11A-M350	35000 +700
1300250117	DN11A-M400	40000 +800
1300250119	DN11A-M450	45000 +900
1300250122	DN11A-M500	50000 +1000
1300250124	DN11A-M550	55000 +1100
1300250125	DN11A-M600	60000 +1200
1300250127	DN11A-M700	70000 +1400
1300250128	DN11A-M750	75000 +1500
1300250133	DN11A-T100	100000 +2000
1300250596	DN11A-T200	200000 +4000
1300250649	DN11A-M005H	500 +45
1300250652	DN11A-M050H	5000 +165
1300250654	DN11A-M060H	6000 +165

THIS DRAWING CONTAINS INFORMATION THAT IS PROPRIETARY TO MOLEX ELECTRONIC TECHNOLOGIES, LLC AND SHOULD NOT BE USED WITHOUT WRITTEN PERMISSION																						
<b>FUNCTIONAL SYMBOLS</b> = 0 = 0 = 0  <b>DIVISIONAL SYMBOLS</b>	<b>DIMENSION UNITS</b> mm		<b>SCALE</b> 1:1		CURRENT REV DESC: P/N'S ADDED,NOTES UPDATED  EC NO: 695738 DRWN: RSCHIEBER 2022/02/14 CHK'D: RSILLER 2022/02/15 APPR: RSILLER 2022/02/15						  CSE MC 5P FE STR PVC MA STR 25M DE											
	GENERAL TOLERANCES (UNLESS SPECIFIED) ANGULAR TOL ± 1.0°				<b>INITIAL REVISION:</b> DRWN: MKOWALCZYK01 2018/09/07 APPR: MMATLA 2018/09/11						<b>PRODUCT CUSTOMER DRAWING</b>											
	4 PLACES ±		3 PLACES ±								2 PLACES ± 0.05		1 PLACE ± 0.3		0 PLACES ± 0.5		DOCUMENT NUMBER 1300250051			DOC TYPE PSD	DOC PART 000	REVISION B1
	4 PLACES ±		3 PLACES ±								2 PLACES ± 0.05		1 PLACE ± 0.3		0 PLACES ± 0.5		MATERIAL NUMBER SEE PART LIST			CUSTOMER GENERAL MARKET		SHEET NUMBER 2 OF 2
DRAFT WHERE APPLICABLE MUST REMAIN WITHIN DIMENSIONS		THIRD ANGLE PROJECTION 		DRAWING A4-SIZE		SERIES 130025		SEE PART LIST			GENERAL MARKET		SHEET NUMBER 2 OF 2									

DOCUMENT STATUS	P1	RELEASE DATE	2022/02/15	09:19:21
-----------------	----	--------------	------------	----------

FORMAT: master-ib-proof-A4  
 REVISION: J  
 DATE: 2020/01/14