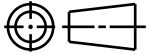
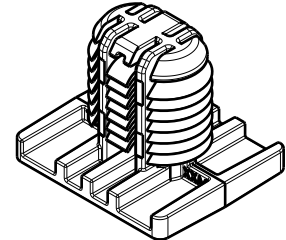
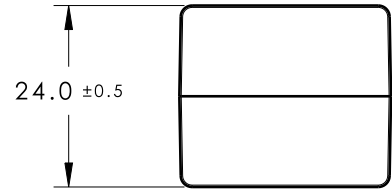


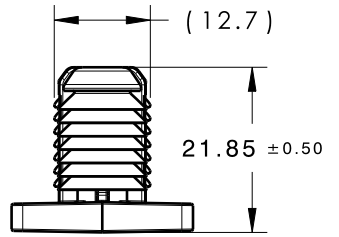
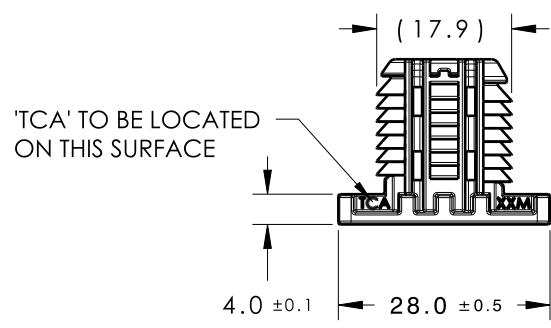
CATIA V5



Revision Level			Revision Record	Changed	Date	Approved	Date
Drawing	State	Part					
00.0	Design Release	-	SEE ECN# 014821	HDC	01/02/19	EJF	01/29/19



ISOMETRIC VIEW



- PERFORMANCE REQUIREMENTS AT DRY AS MOLDED:
1. FIR TREE PUSH IN FORCE: 45 NEWTONS (10 LBS) MAX IN EACH APPLICABLE NOMINAL OVAL HOLE SIZE AND A PLATE THICKNESS OF 1.8mm.
 2. FIR TREE PULL OUT FORCE: 110 NEWTONS (25 LBS) MIN IN EACH APPLICABLE NOMINAL OVAL HOLE SIZE AND A PLATE THICKNESS OF 1.8mm.
 3. SHEET METAL THICKNESS RANGE: 0.60mm - 8.00mm
 4. APPLICABLE OVAL HOLE SIZES:
 - A. 12.0 X 17.0mm +/-0.4
 5. MAXIMUM PERCENT REGRIND PERMISSIBLE: 25%
 6. MAX ALLOWABLE FLASH TO BE: 0.25mm
 7. MAX ALLOWABLE MISMATCH TO BE: 0.1mm

GLOBAL PART DESCRIPTION	MATERIAL	COLOR
12X17PUSHPIN-PA66HIRHSUV-BK	PA66HIRHSUV	BLACK

Material SEE CHART COLOR: SEE CHART	Units	millimeters	The copyright of this drawing is reserved by HellermannTyton. It is issued on condition that it is not reproduced, copied or disclosed to a third party, either wholly or in part, without the consent of HellermannTyton.	Drawn	HDC	05/24/17	Article/Type-No	12X17PUSHPIN	Scale	1:1
	Tolerance defined on each dimension	Approved		EJH	05/24/17	Title	12 X 17 Push Pin	Project Number	17-0847	
					Drawing-No	PRODUCTION : Phase	Format	AH		
					17-0847-001-CSU		Sheet	1/1		

HellermannTyton
 North America
 Email: corp@htamericas.com
 Web: www.hellermann.tyton.com