

Panel mounting frames - FOC-V14-F1ZNI-EM/SJO - 1413981


Please be informed that the data shown in this PDF Document is generated from our Online Catalog. Please find the complete data in the user's documentation. Our General Terms of Use for Downloads are valid (<http://phoenixcontact.com/download>)



RJ45 panel mounting frame for transceiver, IP67, for push-pull interlocking, metal, for square mounting cutout, with seal and mounting screws



Key Commercial Data

Packing unit	1 pc
GTIN	 4 055626 082424
GTIN	4055626082424

Technical data

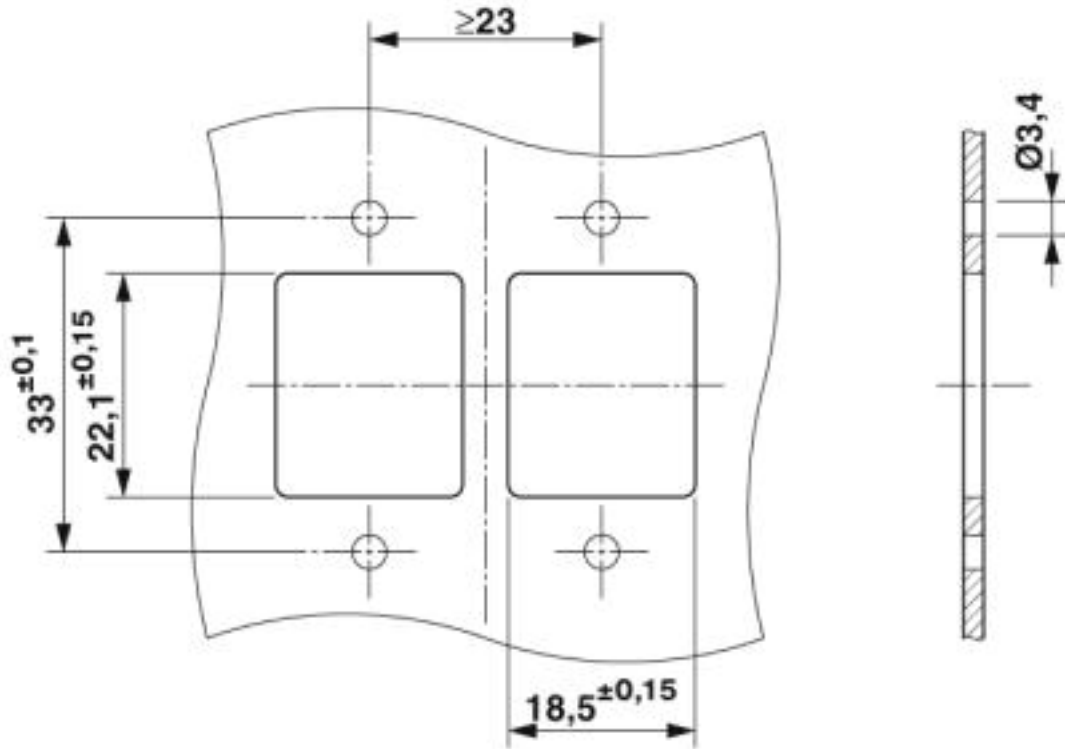
Environmental Product Compliance

China RoHS	Environmentally friendly use period: unlimited = EFUP-e
	No hazardous substances above threshold values

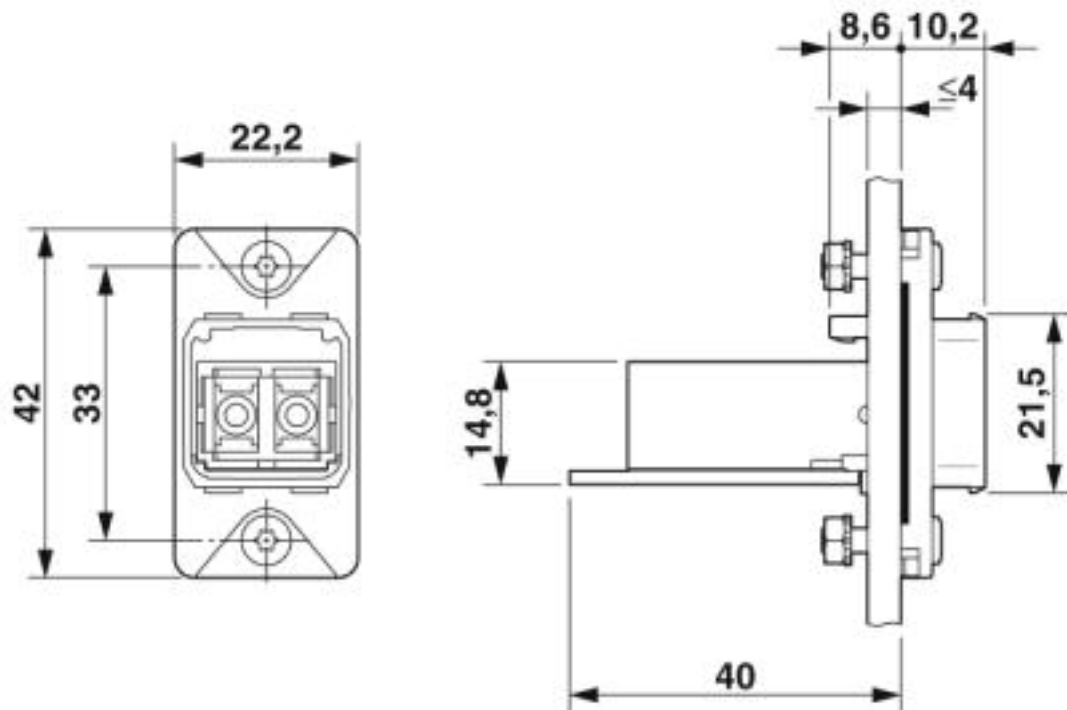
Drawings

Panel mounting frames - FOC-V14-F1ZNI-EM/SJO - 1413981

Drilling diagram



Dimensional drawing



Phoenix Contact 2019 © - all rights reserved
<http://www.phoenixcontact.com>

PHOENIX CONTACT GmbH & Co. KG
Flachmarktstr. 8
32825 Blomberg
Germany
Tel. +49 5235 300
Fax +49 5235 3 41200
<http://www.phoenixcontact.com>