

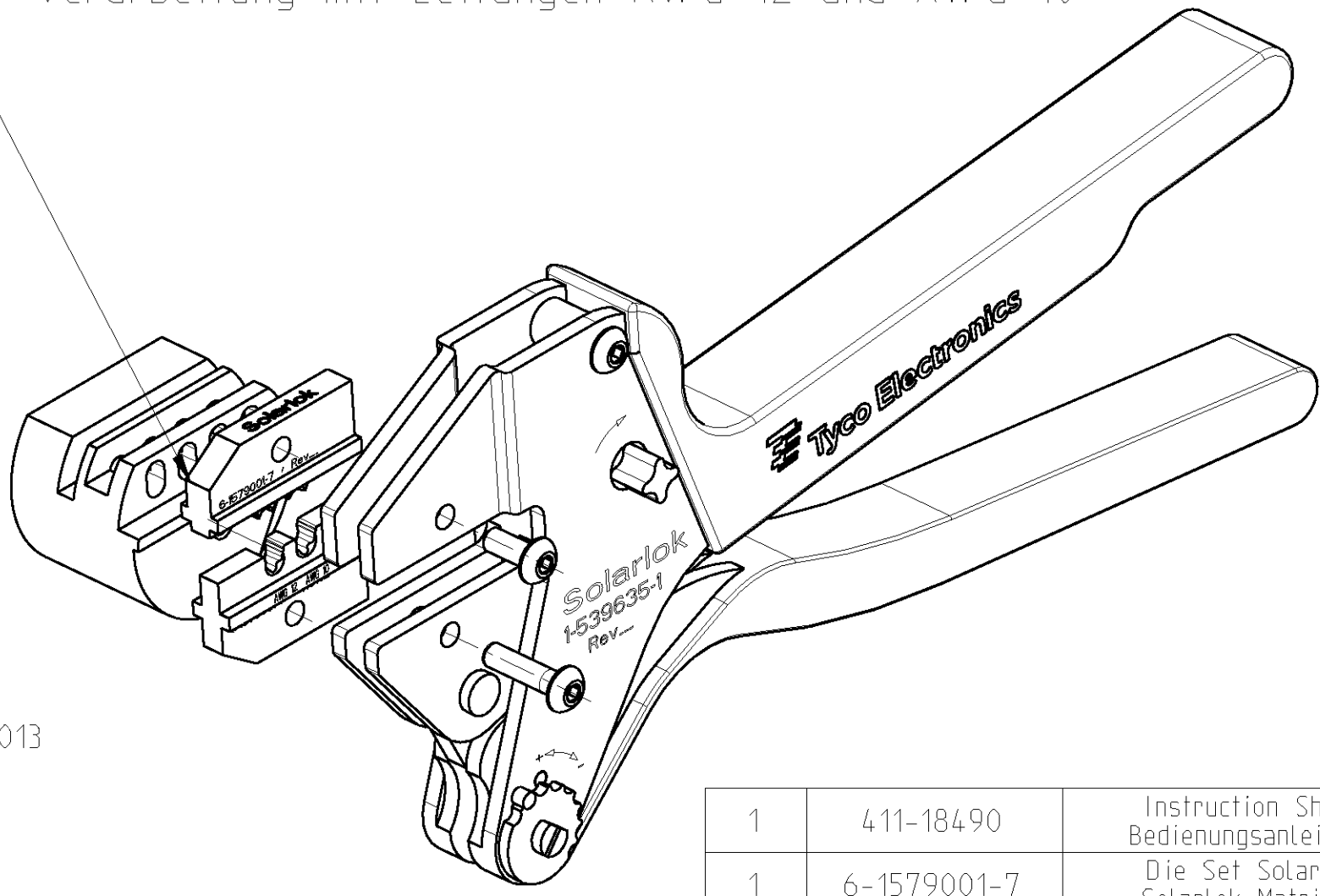
THIS DRAWING IS UNPUBLISHED. RELEASED FOR PUBLICATION 2008
 © COPYRIGHT 2008 BY TYCO ELECTRONICS CORPORATION. ALL RIGHTS RESERVED.

LOC	DIST	REVISIONS				
P	LTR	DESCRIPTION	DATE	DWN	APVD	
A1	-	B	ECR-08-003823	12.02.2008	witt	-

CRIMP HAND TOOL FOR SOLARLOK CONTACTS - PROCESSING WITH CABLES AWG 12 AND AWG 10
 Crimp Handzange fuer Solarlok Kontakte - Verarbeitung mit Leitungen AWG 12 und AWG 10

Replacement die set TE P/N 6-1579001-7 with contact locator available
 Ersatzmatrize TE P/N 6-1579001-7 mit Kontaktpositionierer erhaeltlich

Kontakt TE P/N Contact TE P/N	Crimpbereich Crimp Section AWG	Crimphoehe Crimp height mm	Crimpbreite Crimp width mm
5-1105300-1	AWG 12	*	*
5-1105301-1	AWG 12	*	*
7-1105300-2	AWG 10	*	*
7-1105301-2	AWG 10	*	*



* Crimp data according to application specification 114-74013 (subject to technical modifications)
 Crimpdaten nach Verarbeitungsspezifikation 114-74013 (Aenderungen vorbehalten)

Hand Tool packed in a cardboard with Die Set TE P/N 6-1579001-7 and Instruction Sheet No. 411-18490
 Handzange im Karton mit Matrize TE P/N 6-1579001-7 und Bedienungsanleitung Nr. 411-18490 verpackt

1	411-18490	Instruction Sheet Bedienungsanleitung	3
1	6-1579001-7	Die Set Solarlok Solarlok Matrize	2
1	1-0539635-1	Basic Hand Tool Basis Handzange	1
QTY Stck	TE P/N	Description Benennung	Pos.

<small>THIS DRAWING IS A CONTROLLED DOCUMENT FOR TYCO ELECTRONICS CORPORATION IT IS SUBJECT TO CHANGE AND THE CONTROLLING ENGINEERING ORGANIZATION SHOULD BE CONTACTED FOR THE LATEST REVISION.</small>		DWN Ch.Witt 20FEB2008 CHK - APVD - PRODUCT SPEC - APPLICATION SPEC - WEIGHT 750 g		Tyco Electronics Tyco Electronics AMP GmbH 64625 Bensheim (Germany)	
DIMENSIONS: mm 		TOLERANCES UNLESS OTHERWISE SPECIFIED: 0 PLC ± 1 PLC ± 2 PLC ± 3 PLC ± 4 PLC ± ANGLES ±1°		NAME SOLARLOK HAND TOOL FOR AWG-CABLES Solarlok Handzange fuer AWG-Leitungen	
MATERIAL - FINISH -		SIZE A3 CAGE CODE 00779 DRAWING NO C=1579004-9		RESTRICTED TO -	
CUSTOMER DRAWING			SCALE 1:1	SHEET 1 OF 1	REV B